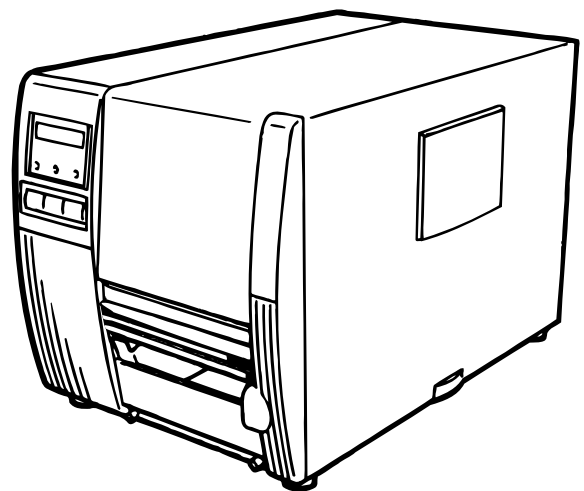


TEC

TEC Thermal Printer

B-480-QP SERIES

Owner's Manual
Mode d'emploi
Bedienungsanleitung
Manual de instrucciones
Gebruikershandleiding
Manuale Utente



TOSHIBA TEC CORPORATION

LIST OF STANDARDS OF CONFORMITY

Manufacturer : TOSHIBA TEC Corporation
Address : 570 Ohito, Ohito-Cho, Tagata-Gun, Shizuoka-Ken, 410-2323
Japan

declares that following product

Product Name : Bar Code Printer
Model : B-48X-YY
Options : All

conforms to the following product specifications

Safety : EN 60 950
EMC : EN 55 022
EN 50082-1
Harmonics : EN 60 555-2
Voltage Fluctuations : EN 60 555-3

Supplementary Information

The product herewith complies with the requirements of the Low Voltage Directive 73/23/EEC, and the EMC directive 89/336/EEC.

- 1) The product was tested in a typical set up TOSHIBA TEC personnel advocated.
- 2) The following technical documentation has been filed for review.
 - Factory Inspection Certificate by TÜV
 - Owner's Manual
 - Schematic
 - Certificates and Test Reports

TEC

TEC Thermal Printer

B-480-QP SERIES

Owner's Manual

Safety Summary

Personal safety in handling or maintaining the equipment is extremely important. Warnings and Cautions necessary for safe handling are included in this manual. All warnings and cautions contained in this manual should be read and understood before handling or maintaining the equipment. Do not attempt to effect repairs or modifications to this equipment. If a fault occurs that cannot be rectified using the procedures described in this manual, turn off the power, unplug the machine, then contact your authorized TOSHIBA TEC representative for assistance.

Meanings of Each Symbol



This symbol indicates warning items (including cautions). Specific warning contents are drawn inside the \triangle symbol. (The symbol on the left indicates a general caution.)



This symbol indicates prohibited actions (prohibited items). Specific prohibited contents are drawn inside or near the \circ symbol. (The symbol on the left indicates "no disassembling".)



This symbol indicates actions which must be performed. Specific instructions are drawn inside or near the \bullet symbol. (The symbol on the left indicates "disconnect the power cord plug from the outlet".)



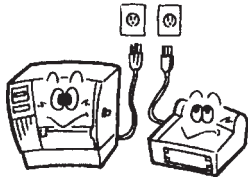
WARNING

This indicates that there is the risk of **death** or **serious injury** if the machines are improperly handled contrary to this indication.



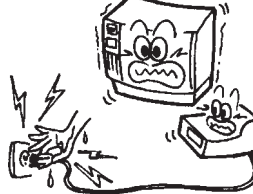
Any other than the specified AC voltage is prohibited.

■ Do not use voltages other than the voltage (AC) specified on the rating plate, as this may cause **fire** or **electric shock**.



Prohibited

■ Do not plug in or unplug the power cord plug with wet hands as this may cause **electric shock**.



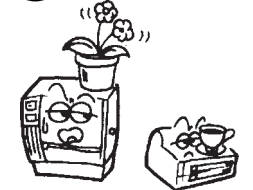
Prohibited

■ If the machines share the same outlet with any other electrical appliances which consume large amounts of power, the voltage will fluctuate widely each time these appliances operate. Be sure to provide an exclusive outlet for the machine as this may cause the machines to **malfunction**.



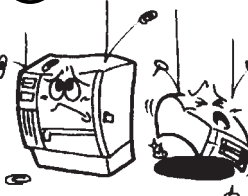
Prohibited

■ Do not place metal objects or water-filled containers such as flower vases, flower pots or mugs, etc. on top of the machines. If metal objects or spilled liquid enter the machines, this may cause **fire** or **electric shock**.



Prohibited

■ Do not insert or drop metal, flammable or other foreign objects into the machines through the ventilation slits, as this may cause **fire** or **electric shock**.



Prohibited

■ Do not scratch, damage or modify the power cords. Also, do not place heavy objects on, pull on, or excessively bend the cords, as this may cause **fire** or **electrical shock**.



Disconnect the plug.




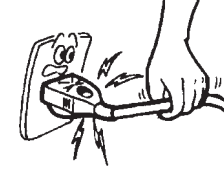

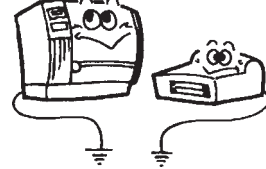

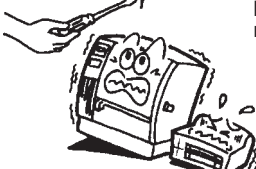
■ If the machines are dropped or their cabinets damaged, first turn off the power switches and disconnect the power cord plugs from the outlet, and then contact your authorized TOSHIBA TEC representative for assistance. Continued use of the machine in that condition may cause **fire** or **electric shock**.



Disconnect the plug.

■ Continued use of the machines in an abnormal condition such as when the machines are producing smoke or strange smells may cause **fire** or **electric shock**. In these cases, immediately turn off the power switches and disconnect the power cord plugs from the outlet. Then, contact your authorized TOSHIBA TEC representative for assistance.



 <p>Disconnect the plug.</p>  <p>■ If foreign objects (metal fragments, water, liquids) enter the machines, first turn off the power switches and disconnect the power cord plugs from the outlet, and then contact your authorized TOSHIBA TEC representative for assistance. Continued use of the machine in that condition may cause fire or electric shock.</p>	 <p>Disconnect the plug.</p>  <p>■ When unplugging the power cords, be sure to hold and pull on the plug portion. Pulling on the cord portion may cut or expose the internal wires and cause fire or electric shock.</p>
 <p>Connect a grounding wire.</p>  <p>■ Ensure that the equipment is properly grounded. Extension cables should also be grounded. Fire or electric shock could occur on improperly grounded equipment.</p>	 <p>No disassembling.</p>  <p>■ Do not remove covers, repair or modify the machine by yourself. You may be injured by high voltage, very hot parts or sharp edges inside the machine.</p>



CAUTION This indicates that there is the risk of personal **Injury** or **damage** to objects if the machines are improperly handled contrary to this indication.

Precautions

The following precautions will help to ensure that this machine will continue to function correctly.

- Try to avoid locations that have the following adverse conditions:

* Temperatures out of the specification	* Direct sunlight	* High humidity
* Shared power source	* Excessive vibration	* Dust/Gas
- The cover should be cleaned by wiping with a dry cloth or a cloth slightly dampened with a mild detergent solution. NEVER USE THINNER OR ANY OTHER VOLATILE SOLVENT on the plastic covers.
- USE ONLY TOSHIBA TEC SPECIFIED paper and ribbons.
- DO NOT STORE the paper or ribbons where they might be exposed to direct sunlight, high temperatures, high humidity, dust, or gas.
- Ensure the printer is operated on a level surface.
- Any data stored in the memory of the printer could be lost during a printer fault.
- Try to avoid using this equipment on the same power supply as high voltage equipment or equipment likely to cause mains interference.
- Unplug the machine whenever you are working inside it or cleaning it.
- Keep your work environment static free.
- Do not place heavy objects on top of the machines, as these items may become unbalanced and fall causing **injury**.
- Do not block the ventilation slits of the machines, as this will cause heat to build up inside the machines and may cause **fire**.
- Do not lean against the machine. It may fall on you and could cause **injury**.
- Care must be taken not to injure yourself with the printer paper cutter.
- Unplug the machine when it is not used for a long period of time.

Request Regarding Maintenance

- Utilize our maintenance services.
After purchasing the machine, contact your authorized TOSHIBA TEC representative for assistance once a year to have the inside of the machine cleaned. Otherwise, dust will build up inside the machines and may cause a **fire** or a **malfunction**. Cleaning is particularly effective before humid rainy seasons.
- Our preventive maintenance service performs the periodic checks and other work required to maintain the quality and performance of the machines, preventing accidents beforehand. For details, please consult your authorized TOSHIBA TEC representative for assistance.
- Using insecticides and other chemicals
Do not expose the machines to insecticides or other volatile solvents. This will cause the cabinet or other parts to deteriorate or cause the paint to peel.

TABLE OF CONTENTS

	Page
1. INTRODUCTION	E1- 1
1.1 Applicable Model	E1- 1
1.2 Accessories	E1- 1
2. SPECIFICATIONS	E2- 1
2.1 Printer	E2- 1
2.2 Options	E2- 2
2.3 Ribbon	E2- 2
2.4 Media	E2- 3
3. OVERVIEW	E3- 1
3.1 Front/Rear View	E3- 1
3.2 Operation Panel	E3- 1
4. INSTALLING THE PRINTER	E4- 1
4.1 Connecting the Power Cord and Cables	E4- 1
4.2 Procedure for Fitting Fan Filter	E4- 1
5. LOADING THE MEDIA	E5- 1
6. LOADING THE RIBBON	E6- 1
7. INSERTING THE OPTIONAL PCMCIA CARD	E7- 1
8. CARE/HANDLING OF THE MEDIA AND RIBBON	E8- 1
9. GENERAL MAINTENANCE	E9- 1
9.1 Cleaning	E9- 1
9.2 Covers and Panels	E9- 2
9.3 Removing Jammed Paper	E9- 2
9.4 Threshold Setting	E9- 4
10. TROUBLESHOOTING	E10- 1

CAUTION:

1. *This manual may not be copied in whole or in part without prior written permission of TOSHIBA TEC.*
2. *The contents of this manual may be changed without notification.*
3. *Please refer to your local Authorized Service representative with regard to any queries you may have in this manual.*

1. INTRODUCTION

Thank you for choosing the TEC B-480 series thermal/transfer printer. This high performance printer is equipped with superior hardware including the specially developed (12 dots/mm, 304.8 dots/inch) near edge print head which will allow very clear print at a maximum speed of 203.2 mm/sec. (8 inches/sec.). The media supply is internal. Optional features include an automatic ribbon saver, a built-in rewinder/strip mechanism and external media supply.

This manual contains general set-up and maintenance information and should be read carefully to help gain maximum performance and life from your printer. For most queries please refer to this manual and keep it safe for future reference.

WARNING

This is a Class A product. In a domestic environment this product may cause radio interference in which case the user may be required to take adequate measures.

CAUTION

To avoid injury, be careful not to catch or jam your fingers while opening or closing the cover.

CAUTION

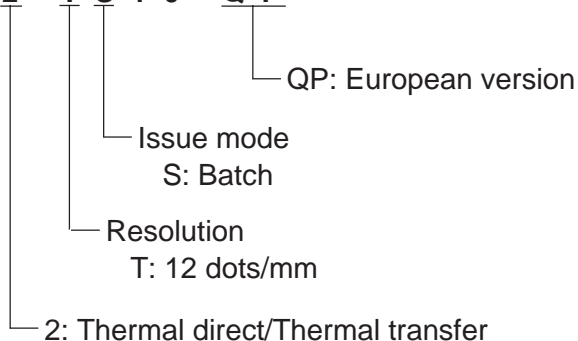
Do not touch moving parts. To reduce the risk that fingers, jewelry, clothing, etc., be drawn into the moving parts, push the switch in the "OFF" position to stop movement.

1.1 Applicable Model

- B-482-TS10-QP

Model name description

B - 4 8 2 - T S 1 0 - Q P

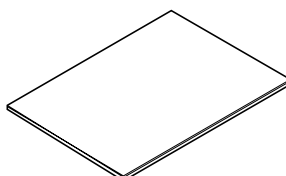


1.2 Accessories

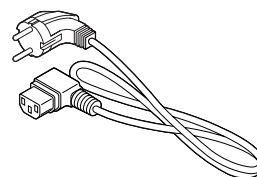
Owner's Manual
(EO1-33007)



Unpacking Procedure



Power Cord



Fan Filter
(FMBB0036801)



2. SPECIFICATIONS

2.1 Printer

Item	Model	B-482-TS10-QP
Supply voltage		AC 220V ~ 240V +10%, -15%, 50Hz
Power consumption		1.13A, 128W maximum (standby: 250mA, 23W)
Operating temperature range		5°C ~ 40°C (41°F ~ 104°F)
Relative humidity		25% ~ 85%RH (no condensation)
Print head		Thermal print head 12 dots per mm (304.8 dots per inch)
Printing methods		Thermal direct or Thermal transfer
Print speeds		76.2 mm/sec. (3 inch/sec.), 127 mm/sec. (5 inch/sec.), 203.2 mm/sec. (8 inch/sec.), 101.6 mm/sec. (4inch/sec.) ... Thermal direct only
Maximum print width		104.0 mm (4.09 inches)
Dispensing modes		Batch (Continuous), Strip (On-demand) and Cut modes (Both cut and strip modes are available only when their respective modules are fitted.)
Message display		16 characters x 1 line
Dimensions		291 mm (width) x 460 mm (depth) x 308 mm (height)
Weight		17 kg (without media and ribbon)
Available bar code types		JAN8, EAN8, JAN13, EAN13, UPC-A, UPC-B EAN8, EAN13, UPC-A, UPC-E + 2digit EAN8, EAN13, UPC-A, UPC-E + 5digit NW-7 CODE39 (STANDARD) CODE39 (FULL ASCII) ITF MSI CODE93 CODE128 EAN128 Data Matrix PDF417 QR Code industrial 2 of 5 Customer Bar Code POSTNET RM4SCC (ROYAL MAIL 4STATE CUSTOMERCODE) KIX CODE Maxi Code Micro PDF417
Fonts		Times Roman (6 sizes), Helvetica (6 sizes), Presentation (1 size), Letter Gothic (1 size), Prestige Elite (2 sizes), Courier (2 sizes), OCR (2 types), Writable characters (2-byte character is available), Outline font (4 type), Price font (3 types)
Rotations		0°, 90°, 180°, 270°
Standard interface		Serial interface (RS-232C) Parallel interface (Centronics)
Optional interfaces		Expansion I/O interface PCMCIA card interface

2.2 Option

Option Name	Type	Usage
Swing cutter module	B-4205-QM	A stop and cut swing cutter
Rotary cutter module	B-8204-QM	Rotary cutter
Peel off module	B-4905-H-QM	This allows use of on-demand (peel-off) operation or to rewind labels and backing paper together when using the rewind guide plate. To purchase the strip module, please inquire at your local distributor.
Fanfold paper guide module	B-4905-FF-QM	This is a paper guide exclusively used for fanfold paper. Attaching it in place of the standard paper guide allows the printer to print on fanfold paper.
PCMCIA interface board	B-8700-PC-QM	This board enables the following PCMCIA cards to be used. * LAN card: 3 COM EtherLink®III (recommended) 3 COM 3CCE589ET (recommended) * ATA card: Conforming to PC card ATA standard * Flash memory card: 1MB and 4MB cards (See Page 7-1.)
Expansion I/O interface board	B-8700-IO-QM	Installing this board allows connection to external device.

NOTE: To purchase the *OPTIONAL KIT*, please contact your authorized TOSHIBA TEC representative or TOSHIBA TEC Head Quarter.

2.3 Ribbon

Type	Spool type
Width	68 mm ~ 112 mm
Length	600 m
Outer diameter	ø90 mm (max.)

- NOTES:**
1. "On the fly issue" means that the printer can draw and print without stopping between labels.
 2. To ensure print quality and print head life use only TOSHIBA TEC specified media and ribbons.
 3. When using the cutter ensure that label length \textcircled{B} plus inter label gap length \textcircled{E} exceeds 35 mm. (i.e. label pitch should be greater than 35 mm.) (See Page 2-3.)
 4. When rewinding the media onto the take-up spool in batch mode, the max. outer roll diameter should be 180 mm.
 5. Use of rough media for the ribbon saving issue may cause ribbon smudges.

2.4 Media

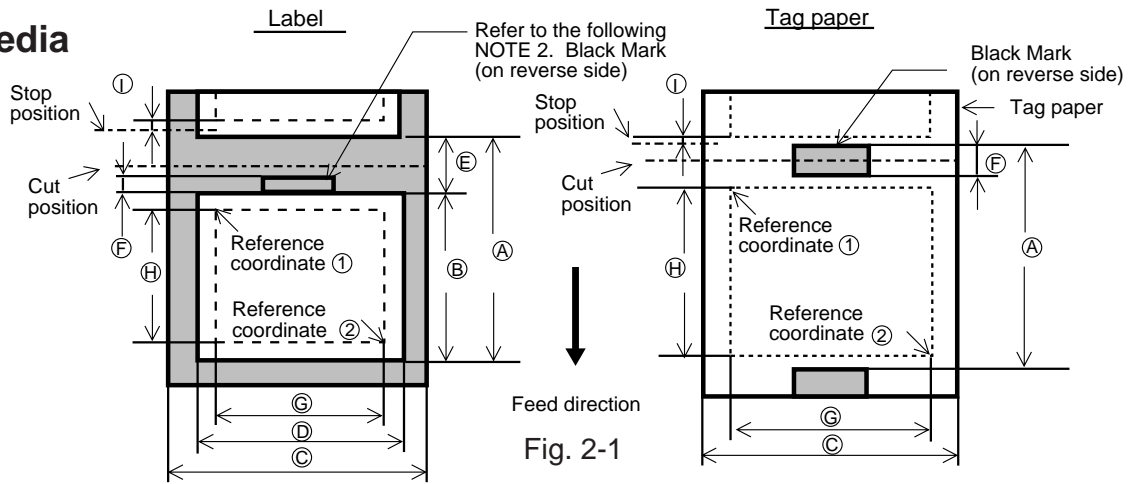


Fig. 2-1

[Unit: mm]

Label dispensing mode			Batch mode	Strip mode	Cut mode			
Item					Rotary cutter		Swing cutter	
					Head-up is OFF	Head-up is ON		
Ⓐ : Span of one label/tag	Label	Min.	10.0	25.4	3"/sec.:94.0	3"/sec.:38.0	38.0	
		Max.	2730.0					
	Tag	Min.	10.0	-	3"/sec.:30.0	4"/sec.:30.0		25.4
		Max.	2730.0	-	5"/sec.:30.0	8"/sec.:38.0		
Ⓑ : Label/tag length		Min.	8.0	23.4	3"/sec.:81.0(*1)	3"/sec.:25.0	25.0 (*5)	
		Max.	2728.0		4"/sec.:85.0(*2)	4"/sec.:25.0		
Ⓒ : Width including backing paper		Min.	50.8					
		Max.	112.0					
Ⓓ : Label width		Min.	47.8					
		Max.	109.0					
Ⓔ : Gap length		Min.	2.0	6.0				
		Max.	20.0					
Ⓕ : Black mark length (Tag paper)		Min.	2.0					
		Max.	10.0					
Ⓖ : Effective print width		Min.	10.0					
		Max.	104.0 ± 0.2					
Ⓗ : Effective print length	Label	Min.	6.0	21.4	3"/sec.:79.0	3"/sec.:23.0	23.0	
		Max.	2726.0					
	Tag	Min.	8.0	-	3"/sec.:28.0	4"/sec.:28.0		23.0
		Max.	2726.0	-	5"/sec.:28.0	8"/sec.:36.0		
Ⓛ : Print speed up/slow down area			1.0					
Thickness	Label	Min. 130 μm, Max. 170 μm						
	Tag	Min. 150 μm, Max. 290 μm						
Maximum effective length for on the fly issue			1361.0					
Outer roll diameter			ø 200 Max.					

- NOTES:**
- The media specification other than above are unchanged.
 - The label length specifications for use with both cutters are:
 - (*1) When issuing a label using the rotary cutter, printing at a speed of 3"/sec., label length should be: 91.0mm - (Gap length/2) or more
 - (*2) When issuing a label using the rotary cutter, printing at a speed of 4"/sec., label length should be: 95.0mm - (Gap length/2) or more
 - (*3) When issuing a label using the rotary cutter, printing at a speed of 5"/sec., label length should be: 99.0mm - (Gap length/2) or more
 - (*4) When issuing a label using the rotary cutter, printing at a speed of 8"/sec., label length should be: 110.0mm - (Gap length/2) or more
 - (*5) When issuing a label using the swing cutter, label length should be: 35.0mm - (Gap length/2)

3. OVERVIEW

3.1 Front/Rear View

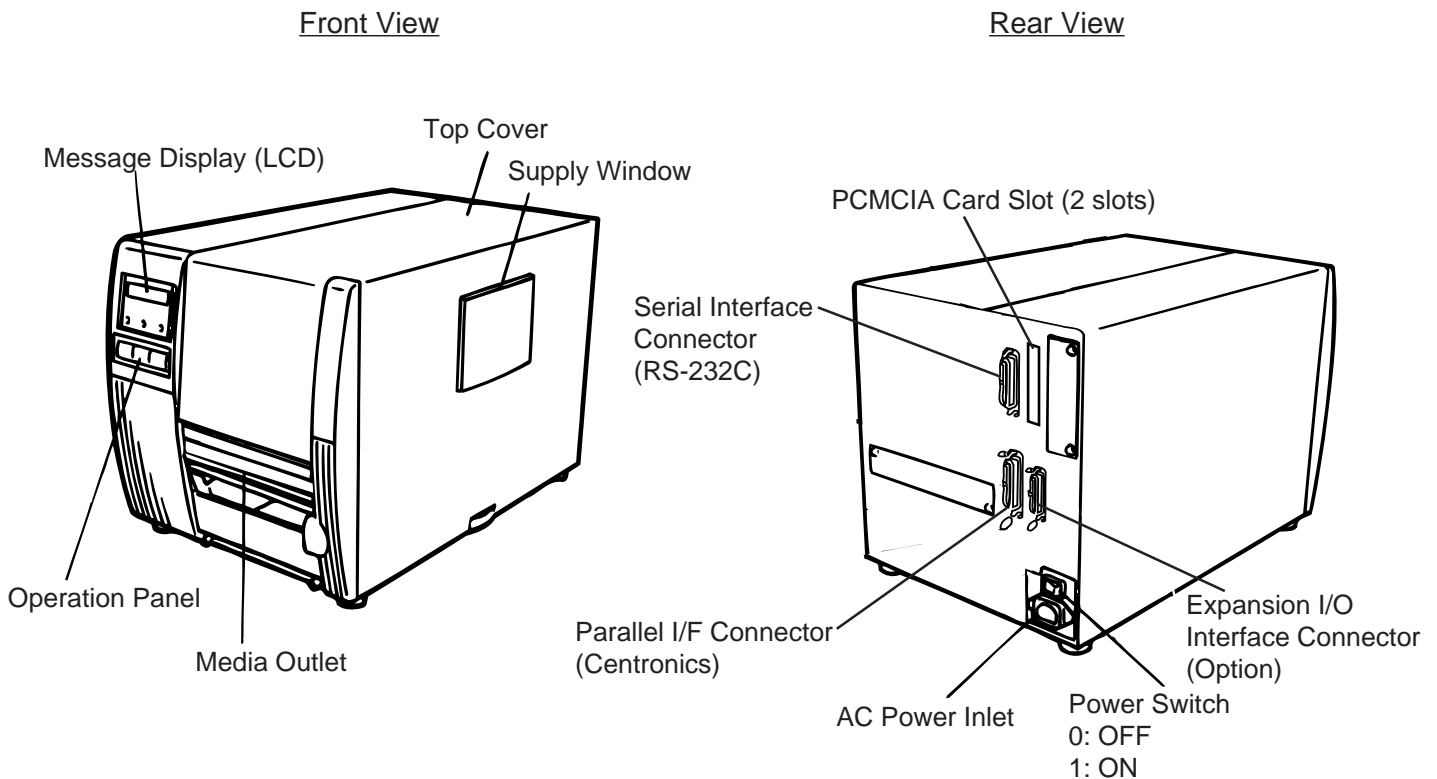


Fig. 3-1

3.2 Operation Panel

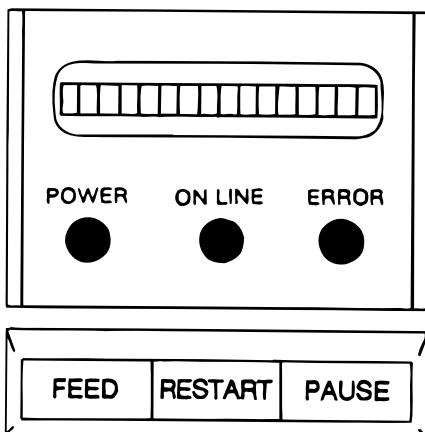


Fig. 3-2

MESSAGE DISPLAY (LCD)

When power is turned on and it is ready to print, "ON LINE" is displayed.

POWER LED (Green)

Lights when the power is turned on.

ON-LINE LED (Green)

- 1) Flashes when communicating with a host computer.
- 2) On while printing.

ERROR LED (Red)

Lights when a communication error occurs, when the media/ribbon ends or the printer does not operate correctly.

FEED key

Feeds paper.

RESTART key

Resets the printer when paused or when an error occurs. Used to set the threshold. (Refer to page 9-4)

PAUSE key

Pauses printing. Message display shows "PAUSE" and an unprinted count. Used to set the threshold. (Refer to page 9-4)

4. INSTALLING THE PRINTER

4.1 Connecting the Power Cord and Cables

WARNING:

Turn the **POWER SWITCH** to **OFF** before connecting the power cord or cables.

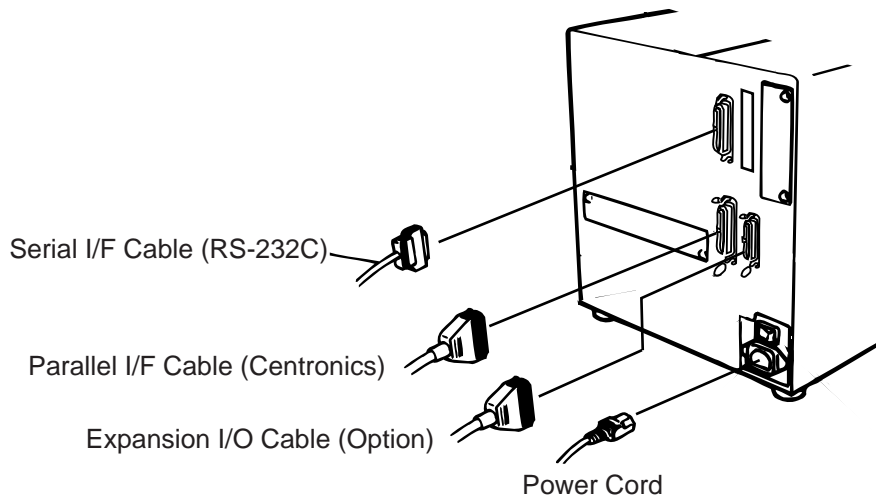


Fig. 4-1

4.2 Procedure for Fitting Fan Filter

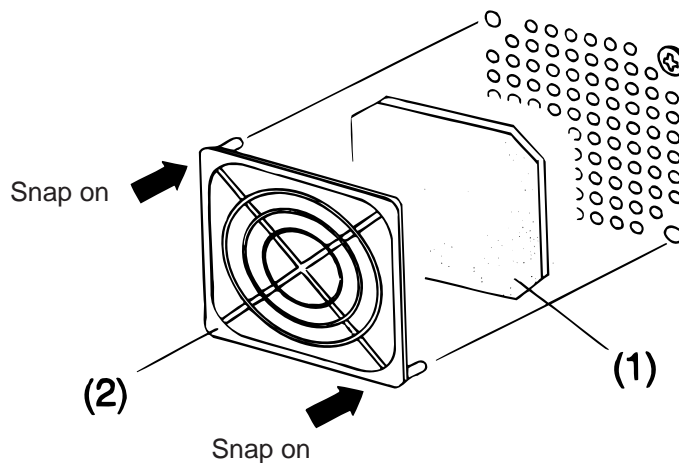


Fig. 4-2

When installing the printer, it is important to ensure that the fan filter is attached before using the printer.

The filter comes in 2 parts:

- (1) FILTER PAD
- (2) FILTER RETAINER

To fit put the filter pad inside the filter retainer and simply press into place according to the diagram above, ensuring connecting pins are aligned with connecting holes.

5. LOADING THE MEDIA

WARNING:

1. Do not touch moving parts. To reduce the risk that fingers, jewelry, clothing, etc., be drawn into the moving parts, push the switch in the "OFF" position to stop movement.
2. To avoid injury, be careful not to catch or jam your fingers while opening or closing the cover.

The printer prints both labels and tags.

1. Turn off the power and open the top cover.
2. Turn the head lever to position ③, then release the ribbon shaft holder plate.

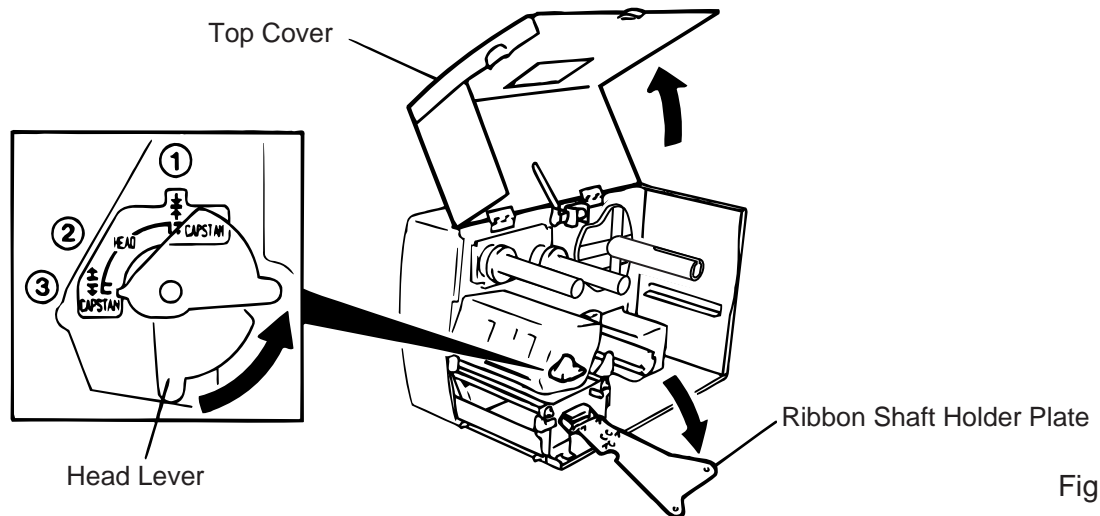


Fig. 5-1

- NOTES:**
1. When the head lever is turned to position ②, the print head is raised.
 2. When the head lever is turned to position ③, the print head and the pinch roller are raised.
 3. To allow printing the head lever must be set to position ①. (This ensures that the print head and the pinch roller are closed.)

3. Turn the locking ring counter clockwise and remove the supply holder from the supply shaft.

NOTE: Do not turn the force the locking ring too far counterclockwise or it may come off the supply holder.

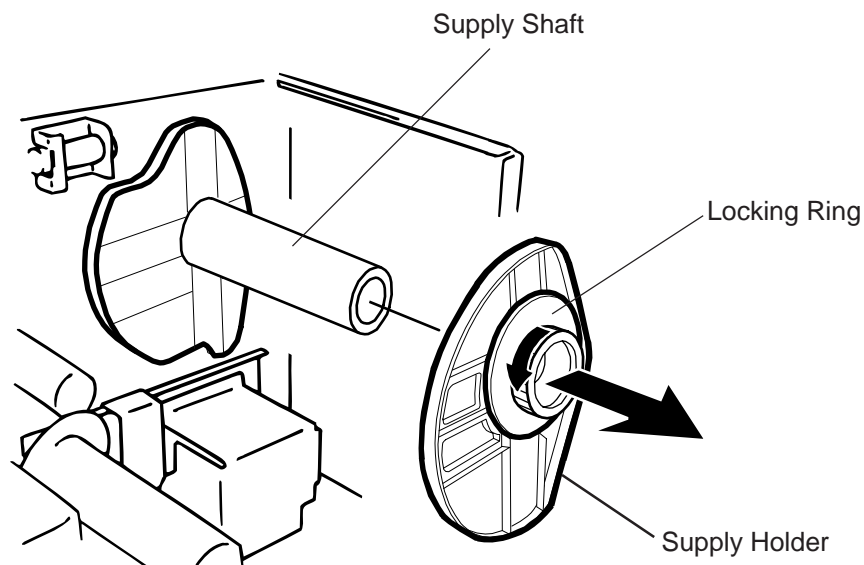


Fig. 5-2

4. Put the media on the supply shaft.
5. Pass the media around the damper, then pull the media towards the front of the printer.
6. Insert the ridge of the supply holder into the groove of the supply shaft until the media is fixed. Then turn the locking ring clockwise to secure the supply holder. This will centre the media automatically.
NOTE: Do not over tighten the locking ring of the supply holder.

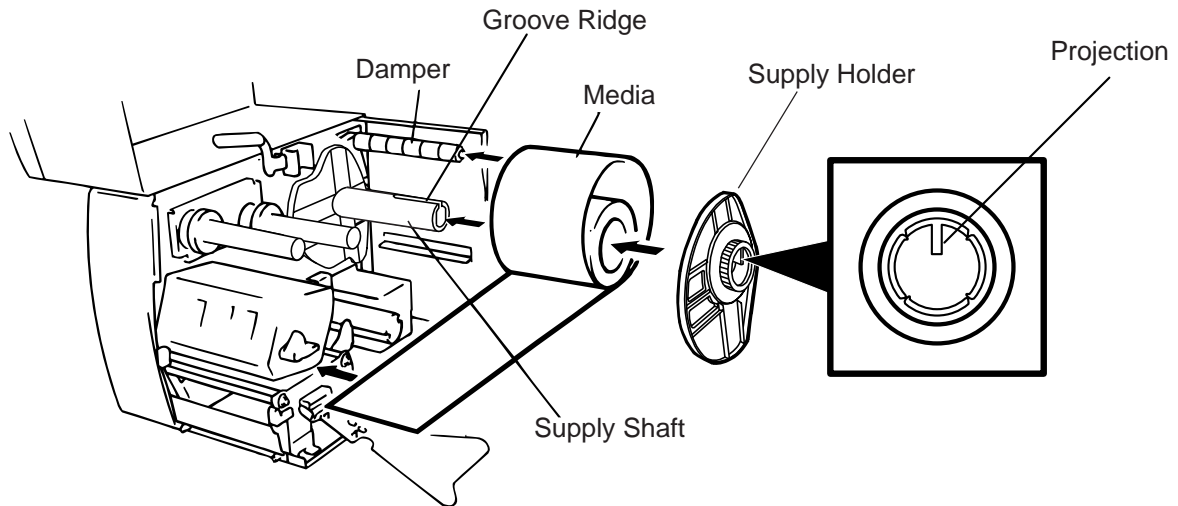


Fig. 5-3

7. Insert the media into the paper holders of the media guide, adjust the media guides to the media width, and tighten the locking screw.
8. Check that the media path through the printer is straight. The media should be centered under the print head.

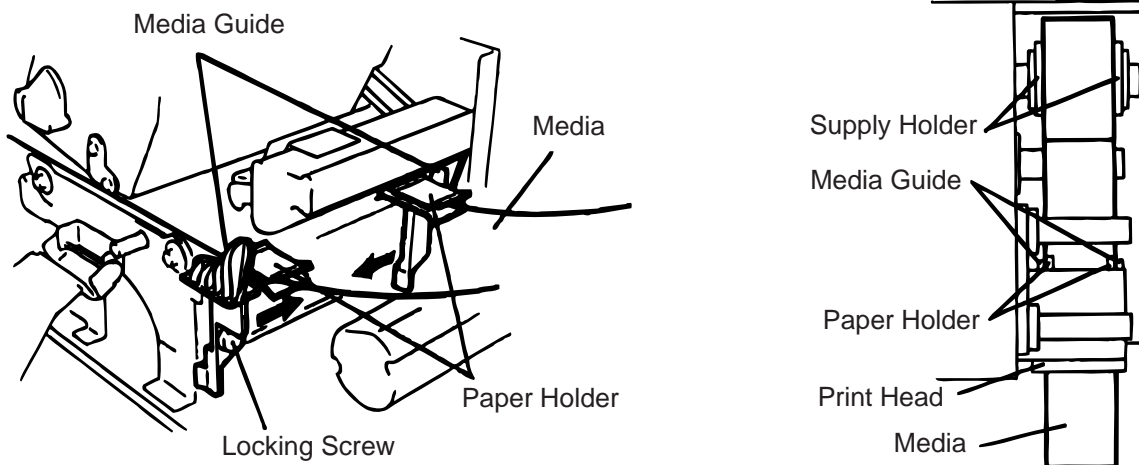


Fig. 5-4

NOTE: When using the label rolled with labels facing outside, please remove the upper plates of both paper holders using the following procedure. Failure to do this may cause a paper jam error. If you have any questions, please contact your nearest TOSHIBA TEC service representative.

■ Removing the paper holders' upper plates from the media guide

- ① Remove the two T-4x8 screws to detach the media guide from the printer.

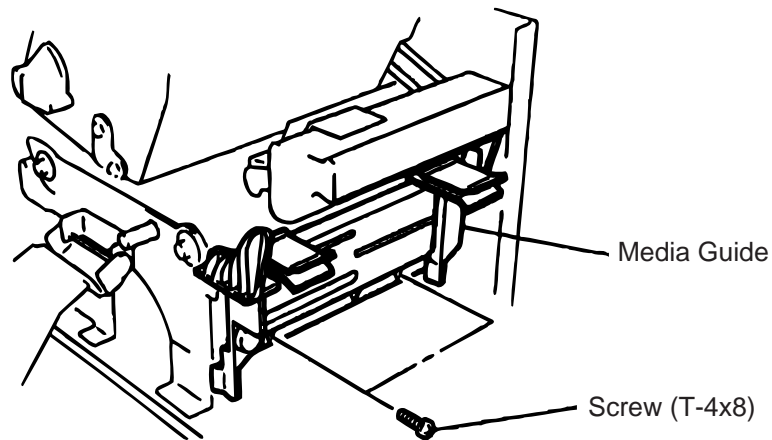


Fig. 5-5

- ② Remove the SM-3x6 screw or the SM-3x8 screw to detach the paper holders' upper plates from the media guide.

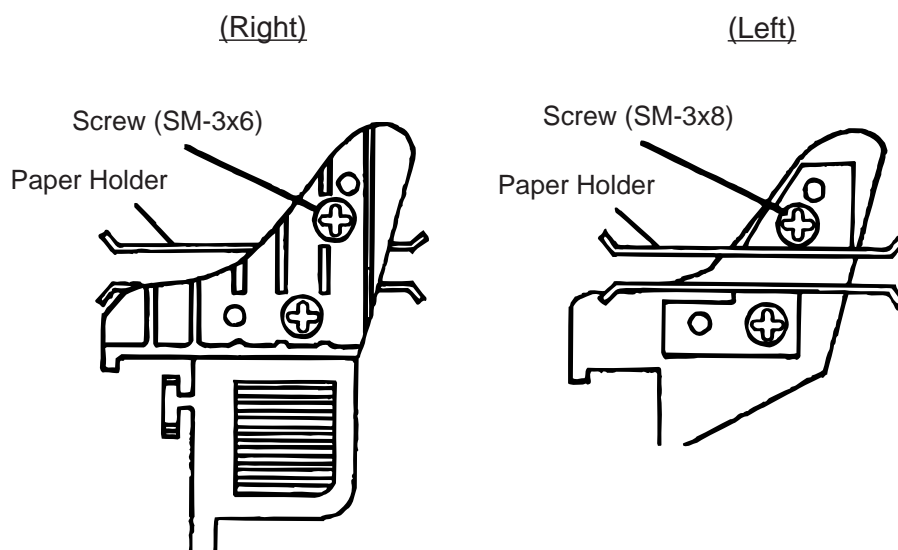


Fig. 5-6

- ③ Attach the media guide back in position.

NOTE: Do not lose the removed upper plates because they are required when using the label rolled with labels facing inside.

9. Set the black mark/feed gap sensor to the correct position by turning the adjusting knob. Turning the knob right will move the sensor towards the center of the media while turning left will move it away from the center of the media.

■ An easy way to set the black mark sensor position

- ① Pull the media about 500 mm out of the front of the printer, turn the media back on it's self and feed it under the print head past the sensor so that the black mark can be seen from above.
- ② Adjust the sensor position to that of the black mark (the upper hole indicates the position of the black mark sensor).

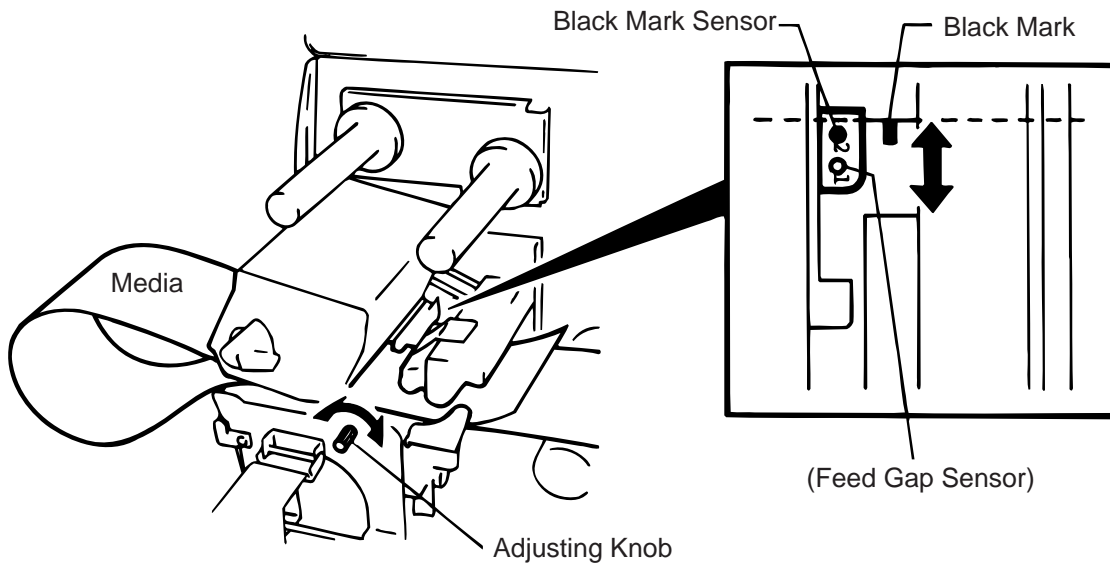


Fig. 5-7

NOTE: Make sure to set the sensor to detect the center of the black mark, otherwise a paper jam error could occur.

■ Setting the feed gap sensor position

- ① Adjust the sensor to detect on the gap (the lower hole indicates the position of the feed gap sensor.)

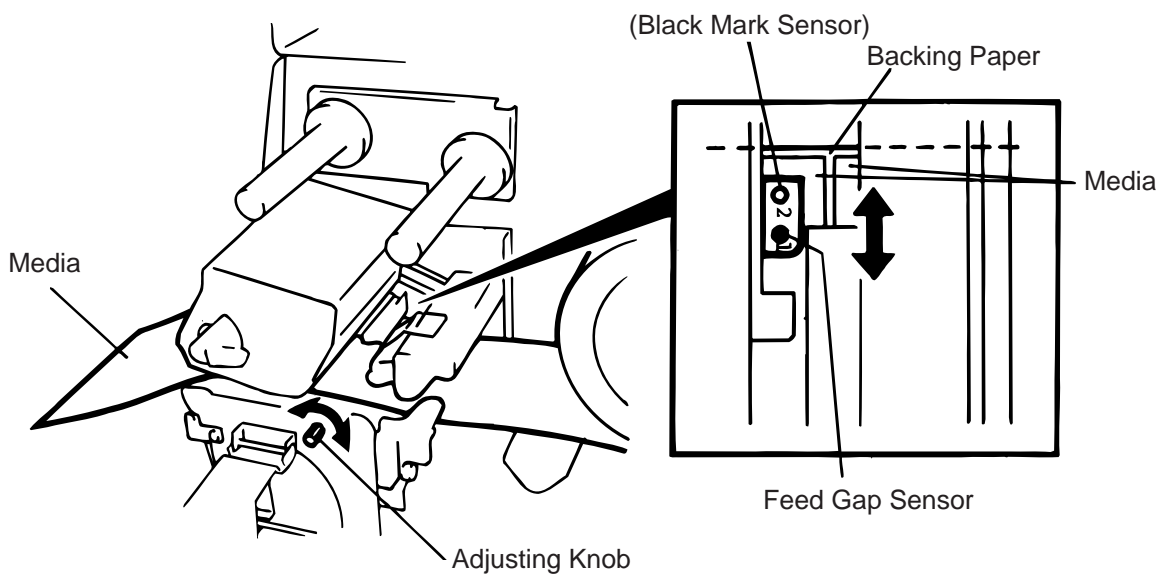


Fig. 5-8

10. The media is now loaded and the sensor position is set.

Batch type:

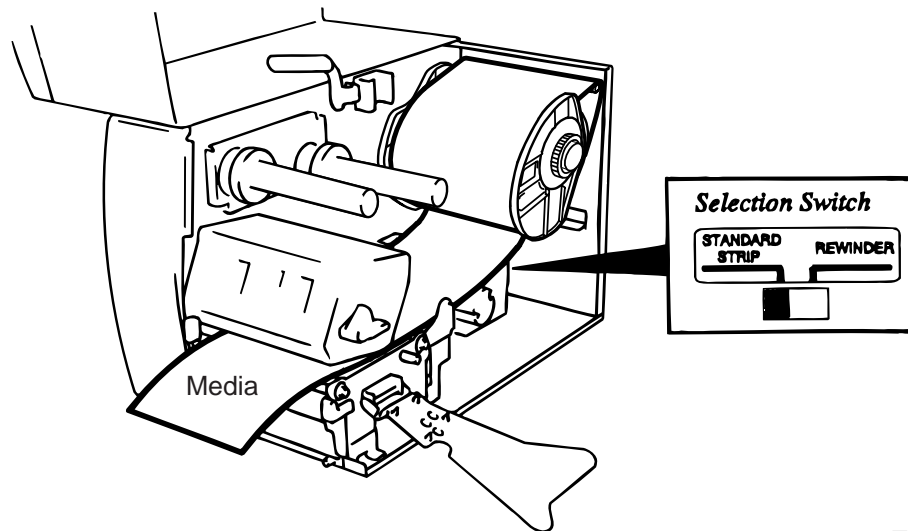


Fig. 5-9

NOTE: Set the selection switch to the STANDARD/STRIP position. Improper setting can affect the print quality.

Strip type:

- ① Remove enough labels from the leading edge media to leave 500 mm of backing paper exposed.
- ② Wind the backing paper onto the take-up spool and fix in position with the take-up clip. (Wind the paper counter clockwise around the spool as this is the direction it rotates.)
- ③ Rotate the take-up spool anti-clockwise a few times to take up any slack in the backing paper.

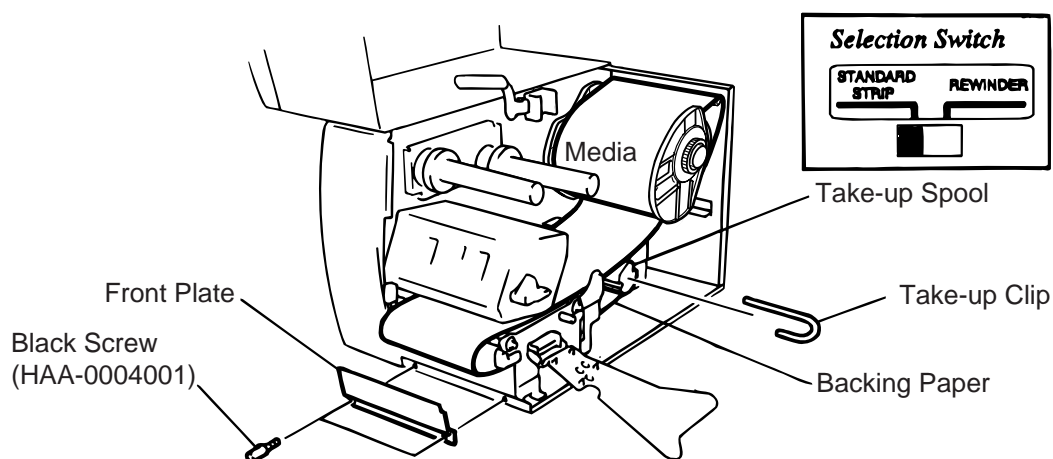


Fig. 5-10

- NOTES:**
1. The backing paper is easier to feed back to the take-up spool if the front plate is removed.
 2. When fitting the take-up clip the longer side of the clip should be fitted into the shallow groove on the take-up spool.
 3. Set the selection switch to the STANDARD/STRIP position.

Cutter type: Where a cutter is fitted load the media as standard and feed it through the cutter module. Swing cutter and rotary cutter are available as an option. They are used in the same way regardless of different shapes. Now, how to load the media using the swing cutter will be introduced.

- NOTES:**
1. Be sure to cut the backing paper of label. Cutting labels will cause the glue to stick to the cutter, which may affect the cutter quality and shorten the life.
 2. If a label winds onto the platen during cut issue, please contact your nearest TOSHIBA TEC service representative.
 3. For the cutter type, the selection switch can be set to either position.

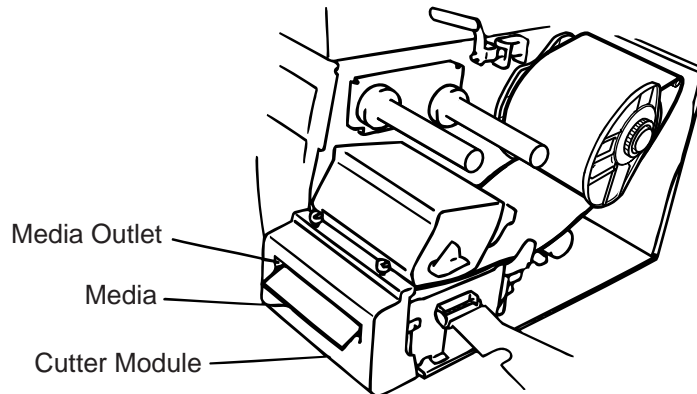


Fig. 5-11

Built-in rewinder type:

- ① Remove two black screws and front plate.
- ② Fit the rewinder guide plate to the strip shaft, then attach it with the sems screws.

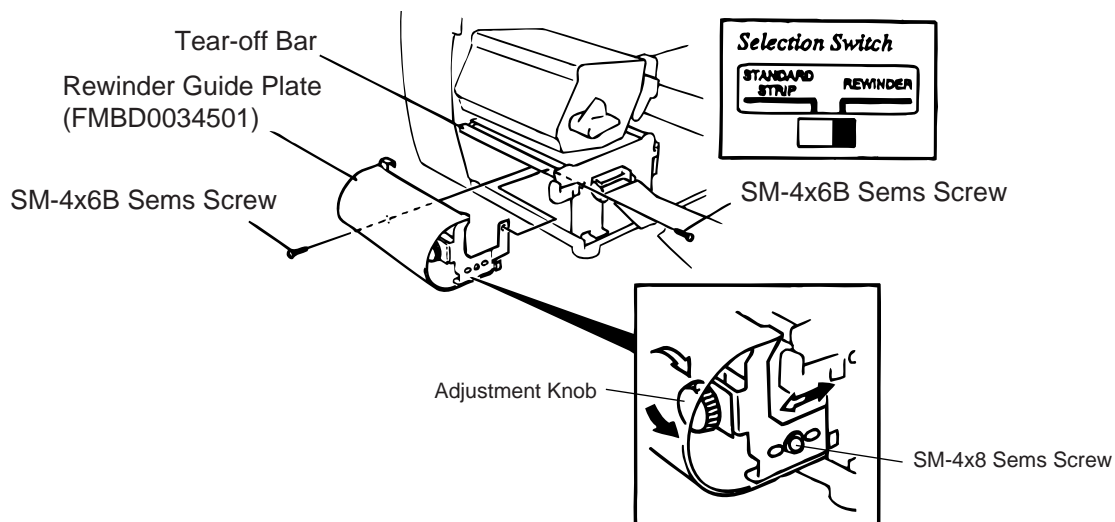


Fig. 5-12

NOTES: Set the selection switch to the REWINDER position.

- ③ Follow the procedure for strip type.
- ④ Adjustment

If the label skews when using built-in rewinder unit, turn the adjustment knob of the rewinder guide plate to correct the label feed. Clockwise turn moves the rewinder guide plate forward and counterclockwise moves it backward.

* When labels skew to the right:

Loosen the SM-4x8 sems screw with a philips-head screw driver. Turn the adjustment knob clockwise, and tighten the SM-4x8 screw when the rewinder guide plate is positioned correctly.

* When labels skew to the left:

Loosen the SM-4x8 screw with a phillips-head screw driver. Turn the adjustment knob counterclockwise, and tighten the SM-4x8 screw when the rewinder guide plate is positioned correctly.

6. LOADING THE RIBBON

WARNING:

1. Do not touch moving parts. To reduce the risk that fingers, jewelry, clothing, etc., be drawn into the moving parts, push the switch in the "OFF" position to stop movement.
2. To avoid injury, be careful not to catch or jam your fingers while opening or closing the cover.

There are two types of media available for printing on, these are standard media and direct thermal media (a chemically treated surface). DO NOT LOAD a ribbon when using a direct thermal media.

1. When using a narrow width ribbon, slide the ribbon stoppers along the shafts to a position where the ribbon will be centered when it is fitted. When changing from a narrow width to a wider one rotate the ribbon stoppers by 90°, push them back to the correct position and then rotate back to lock.

NOTE: When attaching the ribbon stoppers, fit them to the shafts with the pinchers facing into the printer.

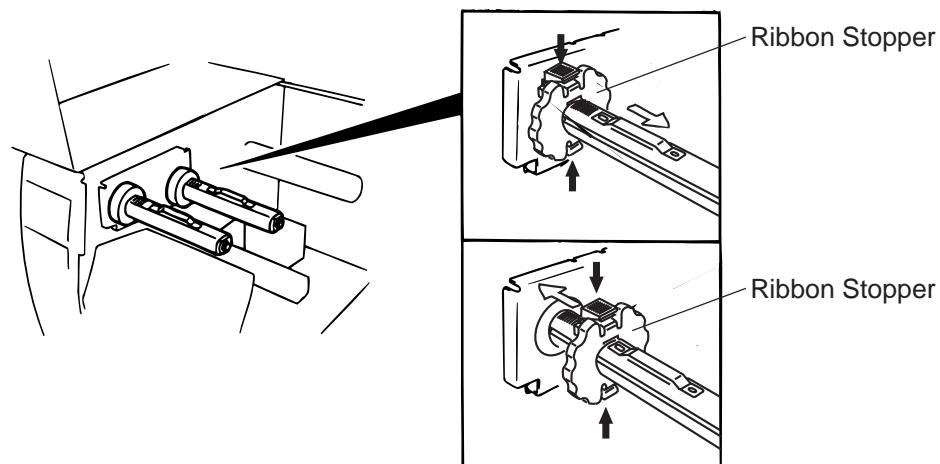


Fig. 6-1

2. Leaving plenty of slack between the spools, fit the ribbon as shown below. When the ribbon is fitted it must be positioned over the ribbon sensor.
3. Wind both shafts towards each other to tighten the ribbon.

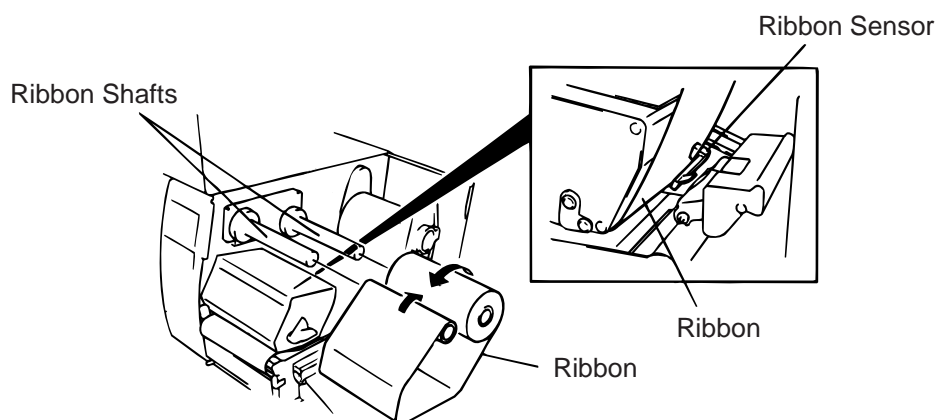


Fig. 6-2

4. Reset the ribbon shaft holder plate by aligning it with the ribbon shaft.
5. Turn the head lever clockwise to lower the print head.
6. Close the top cover.

7. INSERTING THE OPTIONAL PCMCIA CARD

WARNING!

Turn the power OFF when inserting or removing the PCMCIA card.

CAUTION:
To protect PCMCIA cards, discharge static electricity from your body by touching the printer rear cover prior touching the PCMCIA cards.

1. Turn the power off.
2. Insert the PCMCIA card into the card slot at the rear of the printer.
3. Turn the power on.

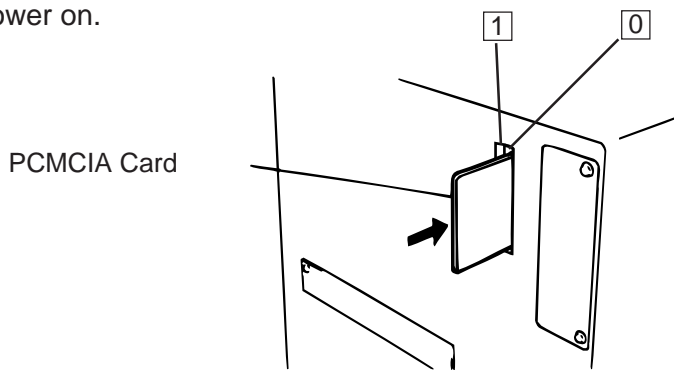


Fig. 7-1

- NOTES:**
1. Be sure to protect a PCMCIA card when not in use in the printer by putting it in its protective cover.
 2. Do not subject the card to any shocks or excessive forces.
 3. Do not expose the card to extremes of heat by either storing in direct sunlight or close to a heater.
 4. Do not expose the card to excessive humidity by wiping it with a wet cloth or storing it in a damp place.
 5. Before inserting or removing the card, make sure that the power switch is turned off.
 6. The following flash cards can be used. (The 1MB-card is read only and the 4MB card can read/write.)

Capacity	Maker	Type	Device code	Maker code
1M Byte	Maxell	EF-1M-TB AA	D0H	1CH
	Mitsubishi	MF81M1-GBDAT01		
4M Byte	Maxell	EF-4M-TB CC	88H	B0H
	Maxell	EF-4M-TB DC	ADH	04H
	Centennial Technologies INC.	FL04M-15-11119-03		01H
	INTEL	IMC004FLSA	A2H	89H
	Simple TECHNOLOGY	STI-FL/4A		
	Mitsubishi	MF84M1-G7DAT01		
	PC Card KING MAX	FJN-004M6C	A0H	89H
	PC Card	FJP-004M6R		

7. Install the LAN card into the slot (1).

8. CARE/HANDLING OF THE MEDIA AND RIBBON

CAUTION:

Be sure to read carefully and understand the Supply Manual. Use only media and ribbon which meet specified requirements. Use of non-specified media and ribbon may shorten the head life and result in problems with bar code readability or print quality. All media and ribbon should be handled with care to avoid any damage to the media, ribbon or printer. Read the following guideline carefully.

- Do not store the media and ribbon for longer than the manufactures recommended shelf life.
- Store media rolls on the flat end, do not store them on the curved sides as this might flatten that side causing erratic media advance and poor print quality.
- Store the media in plastic bags and always reseal after opening. Unprotected media can get dirty and the extra abrasion from the dust and dirt particles will shorten the print head life.
- Store the media and ribbon in a cool, dry place. Avoid areas where they would be exposed to direct sunlight, high temperature, high humidity, dust or gas.
- The thermal paper used for direct thermal printing must not have the specifications which exceed Na^+ 800 ppm, K^+ 250 ppm and CL^- 500 ppm.
- Some ink used on pre-printed labels may contain ingredients which shorten the print head's product life. Do not use labels pre-printed with ink which contain hard substances such as carbonic calcium (CaCO_3) and kaolin ($\text{Al}_2\text{O}_3, 2\text{SiO}_2, 2\text{H}_2\text{O}$).

For further information please contact your local distributor or your media and ribbon manufacturer.

9. GENERAL MAINTENANCE

WARNING!

1. Be careful when handling the print head as it becomes very hot.
2. Care must be taken not to injure yourself with the printer paper cutter.
3. Do not touch moving parts. To reduce the risk that fingers, jewelry, clothing, etc., be drawn into the moving parts, push the switch in the "OFF" position to stop movement.
4. To avoid injury, be careful not to catch or jam your fingers while opening or closing the cover.

9.1 Cleaning

To help retain the high quality and performance of your printer it should be regularly cleaned. The greater the usage of the printer, the more frequent the cleaning. (i.e. low usage=weekly : high usage=daily). A print head cleaner is not enclosed with the printer, so please inquire at your local distributor.

1. Turn the power off.
2. Open the top cover.
3. Turn the head lever to raise the print head.
4. Remove the ribbon and media.
5. Clean the element of print head with print head cleaner.
6. Wipe the platen, feed roller and pinch roller with a cleaner moistened with alcohol. Remove dust or foreign substances from the internal part of the printer, if any.

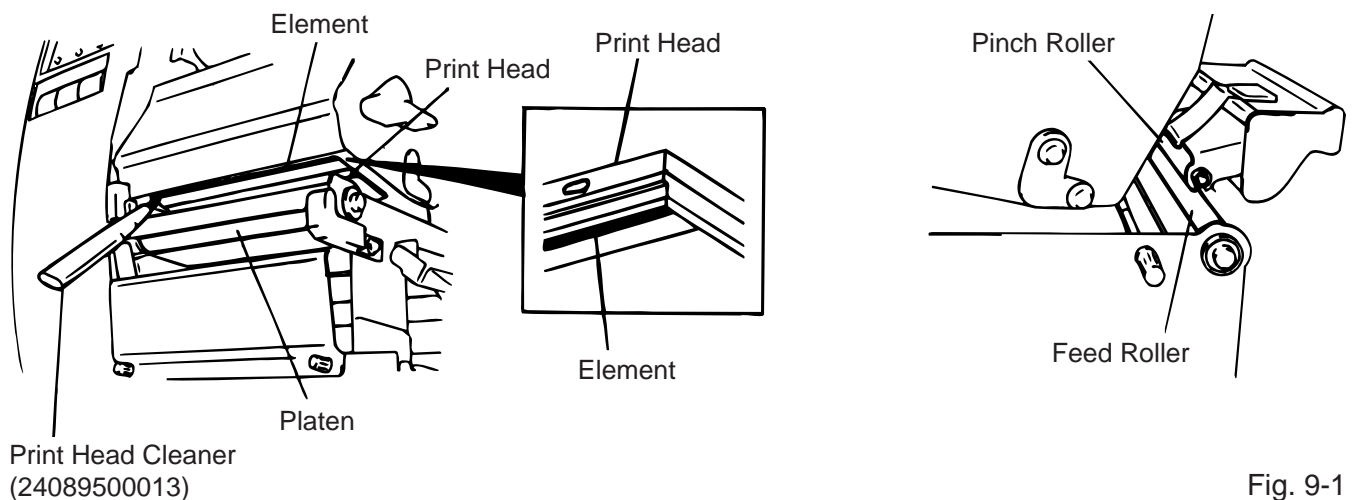


Fig. 9-1

WARNING!

1. Be sure to disconnect the power cord prior of performing any maintenance.
2. Do not use any tool that may damage the print head.
3. **DO NOT POUR WATER** directly onto the printer.

9.2 Covers and Panels

The covers should be cleaned by wiping with a dry cloth or a cloth slightly dampened with a mild detergent solution.

NOTE: Clean the printer cover with an electrostatic free cleaner for automated office equipment.

WARNING!

1. **DO NOT POUR WATER** directly onto the printer.
2. **DO NOT APPLY** cleaner or detergent directly onto any cover or panel.
3. **NEVER USE THINNER OR OTHER VOLATILE SOLVENT** on the plastic covers.
4. **DO NOT** clean the panel covers or the supply window with alcohol as it may cause them to discolor, loose their shape or develop structural weakness.

9.3 Removing Jammed Paper

1. Turn the power off.
2. Open the top cover.
3. Turn the head lever to position ③, then release the ribbon shaft holder plate.
4. Remove the flanged screw to detach the media guide plate. (See Fig. 9-2.)
5. Remove the ribbon and media.
6. Remove the jammed paper. **DO NOT USE** any sharp implement or tool as these could damage the printer.
7. Clean the print head and platen, then remove any further dust or foreign substances.
8. Place the portion ② of the media guide plate on the media sensor. Secure the media guide plate with the flanged screw.

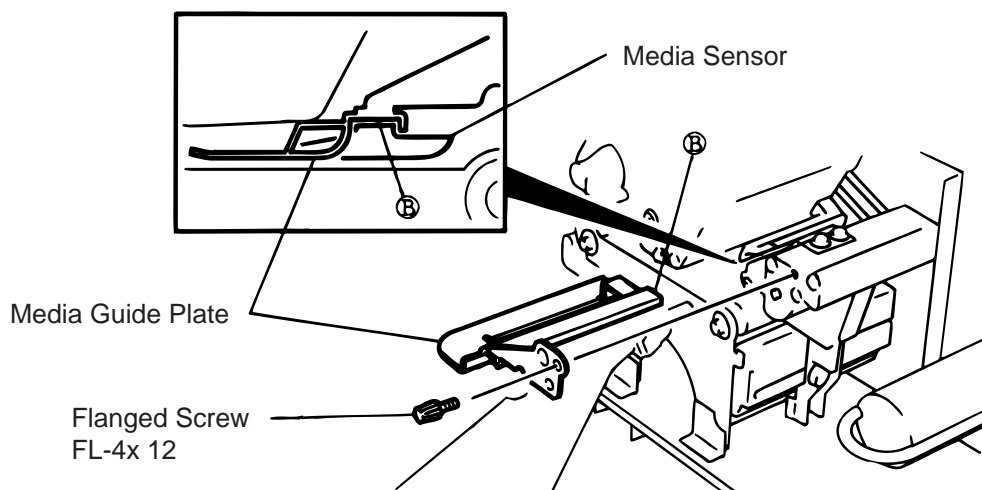


Fig. 9-2

9. Paper jams in the cutter unit can be caused by wear or residual glue from label stock on the cutter. Do not use none specified media in the cutter. If you get frequent jams in the cutter contact your Authorized Service representative.

■ Cleaning the Cutter Unit

WARNING!

1. Be sure to turn the power off before cleaning the cutter unit.
2. The cutters are sharp and care should be taken not to injure yourself when cleaning.

The swing cutter and rotary cutter are available as an option. They are both cleaned in the same way regardless of different shapes. Now, how to clean the cutter unit installing the swing cutter will be introduced.

1. Loosen two screws and remove the cutter cover.
2. Remove the white screw and media guide.
3. Remove the jammed paper and trash.
4. Clean the cutter with dry cloth.
5. Assembling is reverse order of removal.

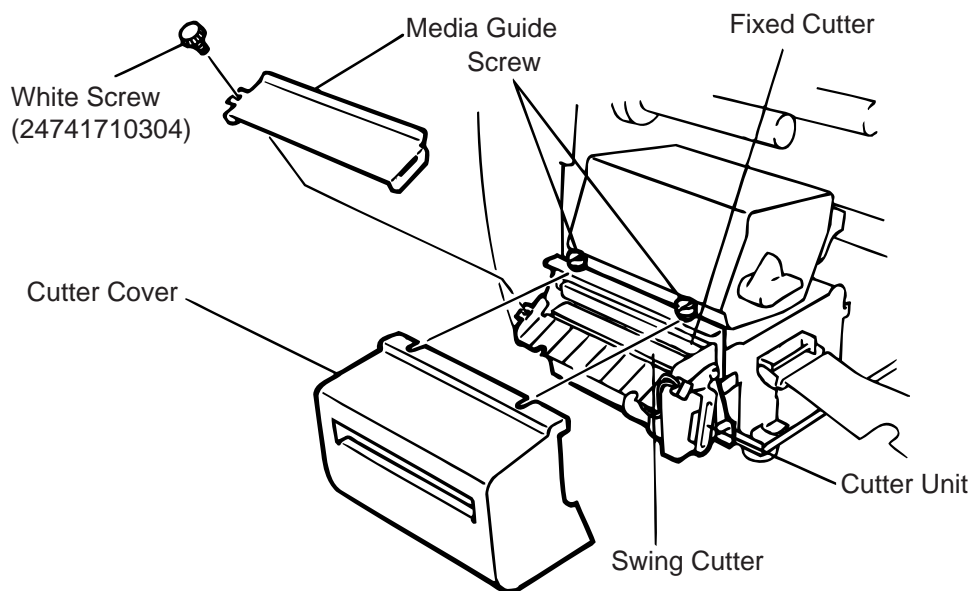


Fig. 9-3

■ Auto Ribbon Saving Mode

Auto ribbon saving function is activated when a no print area extends more than 17 mm. For further information on this function, please ask your nearest TOSHIBA TEC service representative.

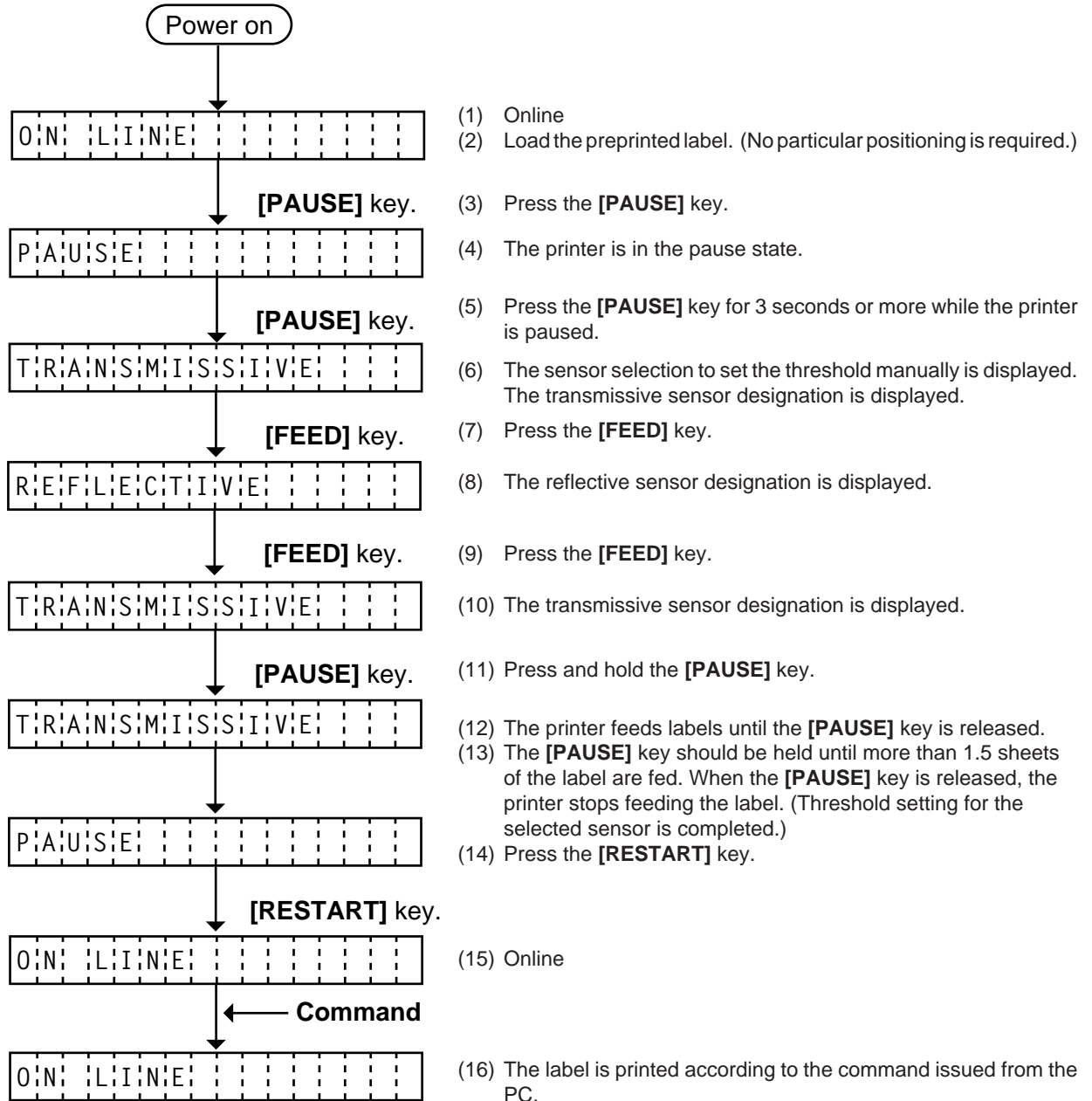
NOTE: According to the relation between the outer diameter of rewound ribbon and print speed, ribbon loss per saving varies as follows:

Print speed	Ribbon loss
3"/sec.	Approx. 5 mm
5"/sec.	Approx. 8 mm
8"/sec.	Approx. 17 mm

9.4 Threshold Setting

For the printer to maintain a constant print position it uses the feed gap sensor to detect the gap between labels by measuring the amount of light passing through the media. When the media is pre-printed, the darker (or more dense) inks can interfere with this process causing paper jammed errors. To get around this problem a minimum threshold can be set for the sensor in the following way.

■ Threshold setting procedure



< Supplementary Explanation >

- (1) When the **[PAUSE]** key is released within 3 seconds while printer pauses, the **[PAUSE]** key is invalid.
- (2) When the threshold is programmed, 1.5 sheets of the label should be fed. (If less than 1.5 labels are fed, the threshold may not be properly programmed. In this case, reprogramming is required.)
- (3) When the **[PAUSE]** key is pressed for 3 seconds or more in a head-up state, the **[PAUSE]** key is invalid.
- (4) During a label feed, an error including the paper end, ribbon end or cutter error is not detected.

10. TROUBLESHOOTING

WARNING:

If you cannot solve a problem with the following solutions, do not attempt to repair it yourself. Turn the power off, unplug the printer, then contact your Authorized Service representative for assistance.

Error Message	Problem	Solution
PAPER JAM ****	<ol style="list-style-type: none"> The media is not fitted correctly. The media path is jammed and does not feed smoothly. The installed media type does not match the selected sensor. The black mark position on the media does not match the sensor position. The installed media size is different from the programmed size. The feed gap sensor cannot see the difference between the print area and the gap. 	<ol style="list-style-type: none"> Re-fit the media correctly. → Press the [RESTART] key. Remove the cause of the jam and replace the media correctly. → Press the [RESTART] key. Turn the power off then on again. Select the correct sensor. → Feed the media. Adjust the sensor position. → Press the [RESTART] key. Turn the power off then on again. Set the correct media size. → Feed the media. Set the threshold (see page 9-4). Else Turn the power off and call your Authorized Service representative.
HEAD OPEN ****	Feed or printing has been attempted while the print head is raised.	Lower the print head. → Press the [RESTART] key.
NO PAPER ****	The media has run out.	Load new media. → Press the [RESTART] key.
NO RIBBON ****	The ribbon has run out.	Load a new ribbon. → Press the [RESTART] key.
REWIND FULL ****	Too much backing paper or media is wound on the internal take-up spool.	Remove the backing paper or media from the internal take-up spool. Then press the [RESTART] key.
EXCESS HEAD TEMP	The print head is too hot.	Turn the power off and decrease the print head temperature.
RIBBON ERROR ****	There is a fault with the ribbon sensor.	Turn the power off. Contact your Authorized Service representative.

Error Message	Problem	Solution
CUTTER ERROR ****	Media is jammed in the cutter.	Remove the jammed media and feed the undamaged media through the cutter. → Press the [RESTART] key. Else Turn the power off and contact your Authorized Service representative.
FLASH WRITE ERR.	An error has occurred when loading data onto a flash memory card or ATA card.	<ol style="list-style-type: none"> 1. Turn the power off, re-seat the flash memory card or ATA card and try again. 2. Replace the flash memory card or ATA card and retry. 3. Turn the power off and contact your Authorized Service representative.
FORMAT ERROR	An error has occurred while formatting a flash memory card or ATA card.	<ol style="list-style-type: none"> 1. Turn the power off, re-seat the flash memory card or ATA card and try again. 2. Replace the flash memory card or ATA card and retry. 3. Turn the power off and contact your Authorized Service representative.
FLASH CARD FULL	No more data can be saved in the flash memory card or ATA card.	Replace the card with a new one and re-send data. (In case of flash memory card, only 1MB and 4MB cards can be used.)
COMMS ERROR	A communication error has occurred with the host.	Turn the power off then on again or press the [RESTART] key. Check the program data. → Call your Authorized Service representative if necessary.
example) PC001; 0A00, Command error 0300, 2, 2	When an error is detected in a command 16 bytes of the command are displayed. (ESC, LF, NUL are not displayed.)	Correct the command and re-send it again.
Other Error Message	Hardware or software trouble.	Turn the power off then on again. If the problem still exists turn the power off and contact your Authorized Service representative.

NOTE: If an error is not cleared by pressing the **[RESTART]** key, the power must be switched off then on again.

After the power has been switched off and on, all print data in the printer is cleared.

**** denotes a remaining count of unprinted labels.

Problem	Solution
No print.	<ol style="list-style-type: none"> 1. Check that media and the ribbon is loaded correctly. 2. Check whether the print head is set correctly or not. 3. Check the cabling between the printer and the host.
Dots missing in the print.	Dirty print head. → Clean the print head. Call your Authorized Service representative if necessary.
Unclear (or blurred) printing.	<ol style="list-style-type: none"> 1. Dirty print head. → Clean the print head. 2. Bad or faulty ribbon. → Replace ribbon. 3. Poor media quality. → Change media type.
Power does not come on.	<ol style="list-style-type: none"> 1. Plug power cord into an AC socket. 2. Check the circuit breakers or fuses. 3. Plug another appliance into the AC socket to check if there is power supplied. Call your Authorized Service representative if necessary.
Printer does not cut.	Check for a paper jam in the cutter. Call your Authorized Service representative if necessary.
You see a raised nap where the media has been cut.	<ol style="list-style-type: none"> 1. Clean the cutter blades. 2. The blades are worn. → Call your Authorized Service representative.

TEC

l'imprimante Transfert Thermique TEC

B-480-QP SERIES

Mode d'emploi

Résumé des précautions

La sécurité personnelle lors de la manipulation ou de l'entretien du matériel est extrêmement importante. Les avertissements et précautions nécessaires à la manipulation en toute sécurité du matériel sont inclus dans ce manuel. Les avertissements et précautions contenus dans ce manuel doivent être lus et assimilés avant toute manipulation ou entretien.

Ne tentez pas d'effectuer des réparations ou des modifications sur ce matériel. Si une erreur se produit qui ne peut être résolue en suivant les instructions de ce manuel, coupez le courant, déconnectez le câble secteur et contactez votre revendeur agréé TOSHIBA TEC pour une assistance technique.

Explication des symboles



Ce symbole signale une mise en garde (ou des précautions).
Le dessin à l'intérieur du \triangle symbole précise quelle est l'action à exécuter.
(Le symbole ci-contre indique une précaution d'ordre général.)



Ce symbole signale une action interdite (interdictions).
Le dessin à l'intérieur ou près du \odot symbole précise quelle est l'action interdite.
(Le symbole ci-contre indique "Ne pas démonter".)



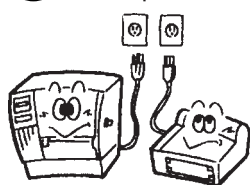
Ce symbole indique une action à effectuer.
Le dessin à l'intérieur du \bullet symbole précise quelle est l'action à exécuter.
(Le symbole ci-contre indique "Retirer la fiche secteur de la prise".)



ATTENTION Indique un danger de **mort** ou de **blessures graves** si l'équipement est utilisé en négligeant ces instructions.



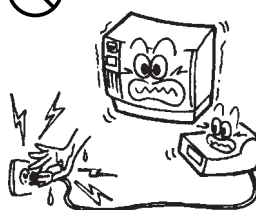
Interdiction d'utiliser une tension autre que celle spécifiée



■ Ne faites pas fonctionner la machine avec une tension électrique différente de celle indiquée sur la plaquette des caractéristiques. Ceci pourrait provoquer un **incendie** ou une **électrocution**.



Interdit



■ Ne branchez pas et ne débranchez pas la fiche secteur avec les mains mouillées. Vous risqueriez une **électrocution**.



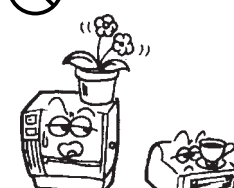
Interdit



■ Si la machine partage une même prise avec d'autres appareils consommant beaucoup d'électricité, il y aura des fluctuations de tension importantes lorsque ces appareils fonctionnent. Pour éviter une **anomalie** causée par de telles fluctuations, ne branchez pas d'autres appareils à la même prise que la machine.



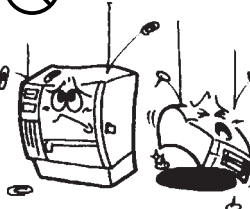
Interdit



■ Ne placez pas d'objets métalliques ou de récipients contenant un liquide (vases, pots de fleurs, tasses, etc.) sur la machine. Un objet métallique ou un liquide peut provoquer un **incendie** ou une **électrocution** s'il pénètre accidentellement dans la machine.



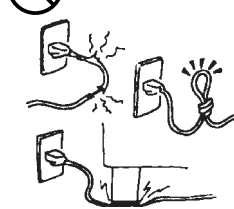
Interdit



■ N'introduisez pas et ne faites pas tomber de pièces métalliques, de matières inflammables ou d'autres objets dans les ouvertures d'aération de la machine. Ils pourraient provoquer un **incendie** ou une **électrocution**.



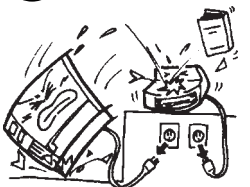
Interdit



■ N'essayez pas de réparer ou de modifier vous-même la machine. Ceci pourrait provoquer un **incendie** ou une **électrocution**. Pour toute question sur les réparations, adressez-vous à votre revendeur (ou au service après-vente).



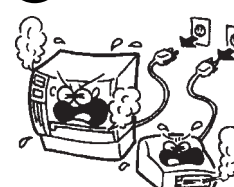
Débranchez la fiche.






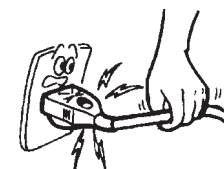



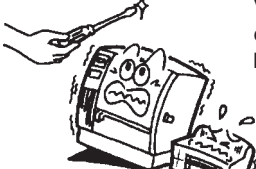
■ Si les machines tombent, ou que leur capot est endommagé, commencez par positionner le bouton marche/arrêt sur arrêt et par déconnecter le câble secteur de la prise murale. Ensuite, contactez votre revendeur agréé TOSHIBA TEC pour une assistance technique. Une utilisation prolongée de l'imprimante dans ces conditions peut être source d'incendie ou de choc électrique.



Débranchez la fiche.



■ Une utilisation prolongée de l'imprimante dans une condition anormale, comme par exemple lorsque l'imprimante produit de la fumée ou des odeurs étranges peut être source d'incendie ou de choc électrique. Dans ce cas, éteignez immédiatement l'interrupteur marche/arrêt et déconnectez le câble secteur de la prise murale. Ensuite, contactez votre revendeur agréé TOSHIBA TEC pour une assistance technique.

 <p>Débranchez la fiche.</p>  <p>■ Si des corps étrangers (fragments de métal, eau, liquides) pénètrent à l'intérieur de la machine, commencez par positionner le bouton marche/arrêt sur arrêt et par déconnecter le câble secteur de la prise murale. Ensuite, contactez votre revendeur agréé TOSHIBA TEC pour une assistance technique. Une utilisation prolongée de l'imprimante dans ces conditions peut être source d'incendie ou de choc électrique.</p>	 <p>Débranchez la fiche.</p>  <p>■ Pour débrancher le câble d'alimentation, tirez-le par la prise. Ne tirez pas directement sur le câble. Ceci pourrait sectionner et exposer les fils internes du câble et causer un incendie ou une électrocution.</p>
 <p>Connectez un fil de terre.</p>  <p>■ Assurez vous que votre installation est correctement relié à la terre. Une mauvaise installation peut provoquer un début d'incendie ou un choc électrique.</p>	 <p>Démontage interdit</p>  <p>■ Ne pas retirer les capots, réparer ou modifier l'imprimante par vous même. Vous pouvez recevoir un choc électrique ou vous blessé par des bords tranchants dans l'imprimante.</p>



PRECAUTION

Indique un risque de **blessures** ou de **dommages** si l'équipement est utilisé en négligeant ces instructions.

Précautions

les précautions suivantes vous permettront d'avoir un fonctionnement correct de l'imprimante.

- Evitez les endroits qui présentent les conditions défavorables suivantes :
 - * Température hors des spécifications
 - * Exposition directe au soleil.
 - * Humidité élevée
 - * Alimentation secteur partagée avec d'autres dispositifs.
 - * Vibrations excessives
 - * Poussière/Gaz
- Nettoyez le couvercle en l'essuyant au moyen d'un chiffon sec ou d'un chiffon imbibé de détergent. **NE JAMAIS UTILISER DE DILUANT NI D'AUTRES SOLVANTS VOLATILES** sur les capots en plastique.
- Utilisez des étiquettes et des rubans recommandés par TOSHIBA TEC.
- N'entrez pas les films et media à un endroit où ils seraient exposés à la lumière directe du soleil, à des températures élevées, à une humidité importante, à de la poussière ou à des gaz.
- Assurez-vous d'utiliser l'imprimante sur une surface plane.
- Toute information mémorisée dans la mémoire de l'imprimante peut être perdue lors d'une erreur d'impression.
- Evitez d'utiliser cet équipement sur la même ligne secteur que des appareils de forte puissance ou susceptibles d'émettre des interférences.
- Eteindre l'imprimante lors des interventions à l'intérieur ou lors des nettoyages.
- s'assurer de garder l'environnement de travail à l'abri de l'électricité statique.
- Ne placez pas d'objets lourds sur la machine. Ils pourraient tomber et **bless**er quelqu'un.
- Ne bouchez pas les ouvertures d'aération de la machine. La chaleur s'accumulerait à l'intérieur et pourrait provoquer un **incendie**.
- Ne pas s'appuyer contre l'imprimante Celle-ci peut tomber et vous pouvez être blessé.
- Faire attention au couteau de l'imprimante.
- Débranchez l'imprimante lorsqu'elle n'est pas utilisée pendant une longue période.

Au sujet de la maintenance

- Faites appel à nos services de maintenance. Après avoir reçu le matériel, prenez contact avec votre revendeur agréé TOSHIBA TEC pour une visite de maintenance annuelle, de manière à effectuer un nettoyage complet de l'intérieur de la machine. Autrement, la poussière qui s'accumule à l'intérieur de la machine peut être source d'incendie ou de mauvais fonctionnement. Le nettoyage est particulièrement nécessaire avant les saisons humides ou pluvieuses.
- Nos services de maintenance effectuent les vérifications périodiques et les autres opérations nécessaires à maintenir la qualité et la performance des imprimantes. Prévenant de ce fait les problèmes. Pour tous détails, consultez votre revendeur agréé TOSHIBA TEC.
- Utilisations d'insecticides et d'autres produits. N'exposez pas les machines aux insecticides ou à d'autres solvants volatiles, dans la mesure où cela peut endommager les capots ou entraîner un écaillage de la peinture.

TABLE DES MATIERES

	Page
1. INTRODUCTION	F1- 1
1.1 Modèle Applicable	F1- 1
1.2 Accessoires	F1- 1
2. SPECIFICATIONS	F2- 1
2.1 Imprimante	F2- 1
2.2 Options	F2- 2
2.3 Film	F2- 2
2.4 Papier	F2- 3
3. VUE GENERALE	F3- 1
3.1 Face Avant et Arrière	F3- 1
3.2 Panneau de Contrôle	F3- 1
4. MISE EN ROUTE DE L'IMPREIMANTE	F4- 1
4.1 Connexion du cordon d'alimentation et des câbles	F4- 1
4.2 Installation du filtre sur le ventilateur	F4- 1
5. CHARGEMENT DU PAPIER	F5- 1
6. CHARGEMENT DU FILM	F6- 1
7. INSTALLATION DE LA CARTE PCMCIA OPTIONNELLE	F7- 1
8. PRECAUTION DE STOCKAGE DES CONSOMMABLES	F8- 1
9. MAINTENANCE	F9- 1
9.1 Nettoyage	F9- 1
9.2 Capot, Face Avant	F9- 2
9.3 Elimination des Fournitures Coincées	F9- 2
9.4 Régler la détection des Étiquettes pré-imprimées	F9- 4
10. DEPISTAGE DES PANNES	F10- 1

ATTENTION:

1. Ce manuel ne peut être copié, en entier ni en partie sans autorisation préalable de TOSHIBA TEC.
2. Le contenu de ce manuel peut être changé sans information préalable.
3. Veuillez contacter votre distributeur TOSHIBA TEC pour toutes questions.

1. INTRODUCTION

Nous vous remercions d'avoir porté votre choix sur l'imprimante transfert thermique de la série B-480. Cette nouvelle génération d'imprimante intègre le meilleur compromis performance qualité. La tête thermique est à impression rapprochée dispose de 12 points par millimètre 304.8 DPI et permet une impression à la vitesse maximum de 203.2 mm/sec.

Les accessoires disponibles en option incluent un économiseur de film, un dispositif interne de pré-décollage d'étiquettes et de ré-enrouleur, ainsi qu'un support média externe.

Ce manuel contient des informations sur l'installation générale et l'entretien de l'imprimante B-480. Nous vous conseillons de le lire attentivement pour obtenir de votre imprimante des performances maximales. Les dispositifs de sécurité ayant été étudiés avec soin, il n'y a aucun danger d'endommager l'imprimante par une opération incorrecte. Pour toute question au sujet de l'imprimante, veuillez vous référer au présent manuel. Prière de le conserver à toutes fins utiles.

WARNING

This is a Class A product. In a domestic environment this product may cause radio interference in which case the user may be required to take adequate measures.

ATTENTION

Afin d'éviter tout dommage, viter d'accrocher ou de coincer vos doigts lorsque vous ouvrez ou le capot.

ATTENTION

Ne pas toucher des parties mobiles. Pour réduire le risque que des doigts, la joaillerie, les vêtements, etc., seraient tirés dans les parties mobiles, pousser l'interrupteur à la "coupé" pour arrêter le mouvement.

1.1 Modèle Applicable

- B-482-TS10-QP

Description du modèle

B - 4 8 2 - T S 1 0 - Q P

QP: Version pour l'Europe

Mode d'impression

S: Par Série

Résolution

T: 12 points : mm

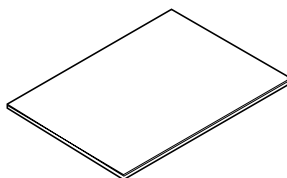
2: Thermique direct et transfert thermique

1.2 Accessoires

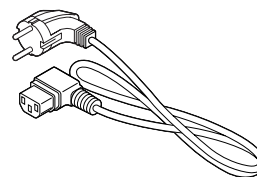
Manuel utilisateur
(EO1-33007)



Procédure de déballage



Cordon d'alimentation



Filtre de ventilateur
(FMBB0036801)



2. SPECIFICATIONS

2.1 Imprimante

Article	Type	B-482-TS10-QP
Alimentation		CA 220 ~ 240 V + 10 %, -15 %, 50 Hz
Consommation		1.13A, 128W max. (attente: 250 mA, 23 W)
Limites de température		5°C ~ 40°C
Humidité relative		25 % ~ 85 % HR (sans condensation)
Tête d'impression		Tête d'impression thermique 12 points au mm
Méthode d'impression		Transfert thermique ou thermique direct
Vitesse d'impression		76.2 mm/sec., 127 mm/sec., 203.2 mm/sec., 101.6 mm/sec. ... Thermique direct seulement.
Largeur d'impression		104.0 mm
Méthode de sortie		En lot, en pré-décollage ou en coupe (Les modes coupe et pré-décollage sont des options.)
Affichage de message		16 caractères sur une ligne (LCD)
Dimension		291 mm (L) x 460 mm (l) x 308 mm (H)
Poids		17 Kg
Type de codes à barre		JAN8, EAN8, JAN13, EAN13, UPC-A, UPC-B EAN8, EAN13, UPC-A, UPC-E + 2digit EAN8, EAN13, UPC-A, UPC-E + 5digit NW-7 CODE39 (STANDARD) CODE39 (FULL ASCII) ITF MSI CODE93 CODE128 EAN128 Data Matrix PDF417 QR Code industrial 2 of 5 Customer Bar Code POSTNET RM4SCC (ROYAL MAIL 4STATE CUSTOMERCODE) KIX CODE Maxi Code Micro PDF417
Polices		Times Roman (6), Helvetica (6), Presentation (1), Letter Gothic (1), Prestige Elite (2), Courier (2), OCR (2 types), Polices télé-chargeables (mode 2 octets disponible), Police vectorielle (4), Polices prix (3 types).
Rotation des zones		0°, 90°, 180°, 270°
Interface standard		Série (RS-232C) Parallèle (CENTRONICS)
Interface en option		Carte Entrée-Sortie Interface carte PCMCIA

2.2 Options

Nom	Type	Utilisation	Source
Massicot à baïonnette	B-4205-QM	Massicot pour coupe à l'arrêt.	Voir Note
Massicot rotatif	B-8204-QM	Massicot rotatif, coupe en continu.	
Module pré-décollage	B-4905-H-QM	Ce module pré-décalle l'étiquette à la sortie de l'imprimante.	
Guide Papier Paravent	B-4905-FF-QM	Ce guide papier est spécifique au paravent.	
Interface carte PCMCIA	B-8700-PC-QM	Cette Interface permet l'utilisation des cartes PCMCIA suivantes: <ul style="list-style-type: none"> • LAN CARD: 3 COM EtherLink®III (recommandé). 3 COM 3CCE589ET (recommandé). • Carte ATA conforme au standard PC des cartes ATA. • Carte mémoire Flash 1 Mo et 4 Mo (Voiie page 7-1) 	
Carte Interface I/O	B-8700-IO-QM	L'installation de cette carte permet l'interfaçage avec des dispositifs externes par le biais de ports spécifiques.	

NOTE: Disponible chez votre revendeur agréé TOSHIBA TEC ou auprès du siège TOSHIBA TEC.

2.3 Film

Type	Bobine
Largeur	68 mm à 112 mm
Longueur	600 m
Diamètre externe	ø90 mm (max.)

- NOTES:**
1. L'impression au vol' signifie que l'imprimante procède à l'impression et au dessin de l'étiquette en même temps, il n'y a pas d'arrêt entre deux étiquettes.
 2. Il est recommandé d'utiliser des rubans et des papiers recommandés par TOSHIBA TEC.
 3. La coupe des étiquettes adhésives peut se faire à partir d'une hauteur de 35 mm. (Voir page 2-3.)
 4. Si vous utilisez le ré-embobineur interne, le diamètre externe de la bobine papier doit être de 180 mm maximum.
 5. En mode d'économie de film, n'utilisez pas de papier dont la surface est rugueuse, afin d'éviter des traces noires à l'impression.

2.4 Papier

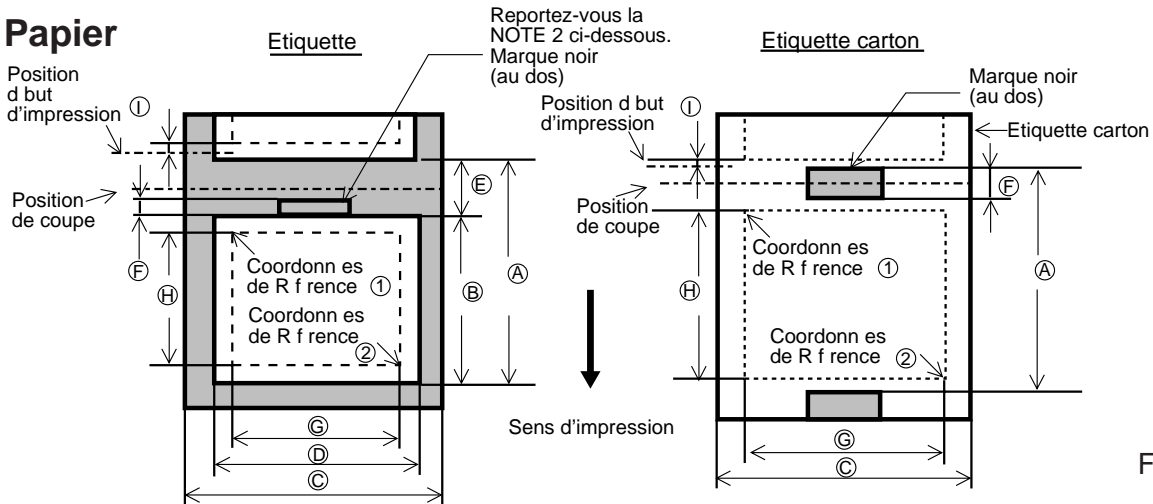


Fig. 2-1

[Unité: mm]

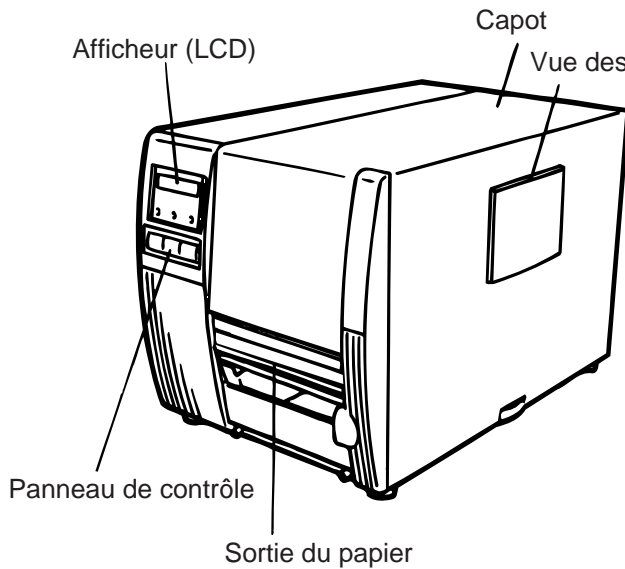
Article	Mode d'impression		Par lot	A la demande	A la coupe			
					Massicot rotatif		Massicot à baïonnette	
					Mode Tête haute enclenché	Mode Tête haute déclenché		
Ⓐ : Hauteur hors tout	Etiquette	Min.	10.0	25.4	3"/sec.:94.0	3"/sec.:38.0	38.0	
		Max.	2730.0					
	Carte	Min.	10.0	-	3"/sec.:30.0	25.4		
		Max.	2730.0	-	4"/sec.:30.0			
Ⓑ : Hauteur étiquette	Etiquette	Min.	8.0	23.4	5"/sec.:102.0		5"/sec.:38.0	25.0 (*5)
		Max.	2728.0	-	8"/sec.:113.0		8"/sec.:38.0	
	Carte	Min.	2730.0					
		Max.	2730.0					
Ⓒ : Largeur hors tout			Min.	50.8				
			Max.	112.0				
Ⓓ : Largeur étiquette			Min.	47.8				
			Max.	109.0				
Ⓔ : Echenillage			Min.	2.0	6.0			
			Max.	20.0				
Ⓕ : Marque noir (Etiquette carton)			Min.	2.0				
			Max.	10.0				
Ⓖ : Largeur d'impression			Min.	10.0				
			Max.	104.0 ± 0.2				
Ⓗ : Hauteur d'impression	Etiquette	Min.	6.0	21.4	3"/sec.:79.0	3"/sec.:23.0	23.0	
		Max.	2726.0					
	Carte	Min.	8.0	-	3"/sec.:28.0	23.0		
		Max.	2726.0	-	4"/sec.:28.0			
		Min.	2726.0					
		Max.	2726.0					
Ⓛ : Distance de non impression			1.0					
Epaisseur	Etiquette	Min. 130 µm, Max. 170 µm						
	Carte	Min. 150 µm, Max. 290 µm						
Longueur max.			1361.0					
Diamètre externe de rouleau			ø 200 Max.					

- NOTES:**
1. Les media spécifications qui n'ont pas été écrites là-dessus n'ont pas été changées.
 2. La longueur de l'étiquette doit répondre aux critères suivants :
 - 1) Lors de l'impression avec massicot rotatif à 3"/sec.: 91.0 mm - (échenillage / 2) ou supérieure.
 - 2) Lors de l'impression avec massicot rotatif à 4"/sec.: 95.0 mm - (échenillage / 2) ou supérieure.
 - 3) Lors de l'impression avec massicot rotatif à 5"/sec.: 99.0 mm - (échenillage / 2) ou supérieure.
 - 4) Lors de l'impression avec massicot rotatif à 8"/sec.: 110.0 mm - (échenillage / 2) ou supérieure.
 - 5) Lors de l'impression avec massicot à baïonnette : 35.0 mm - (échenillage / 2)

3. VUE GENERALE

3.1 Face Avant et Arrière

Vue de face



Vue de la face arrière

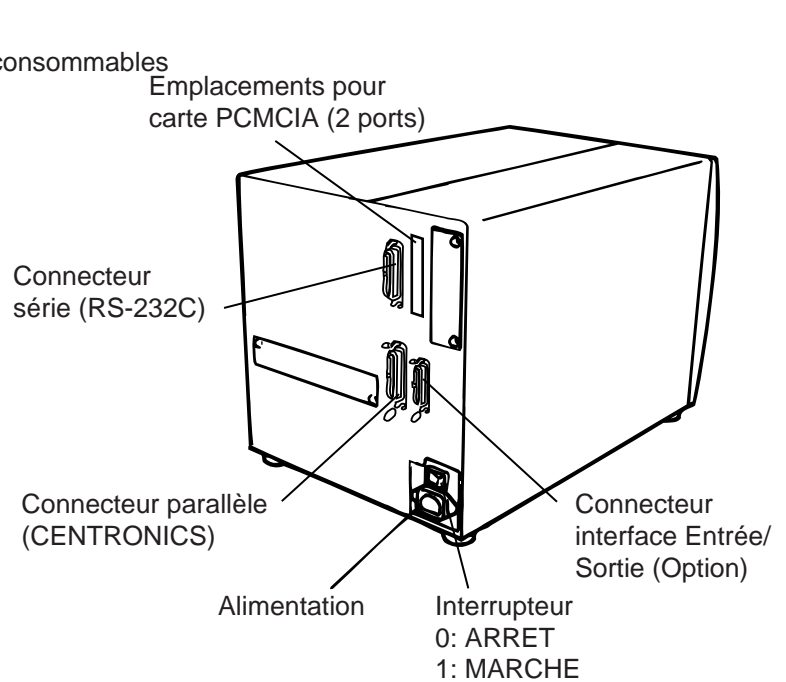


Fig. 3-1

3.2 Panneau de contrôle

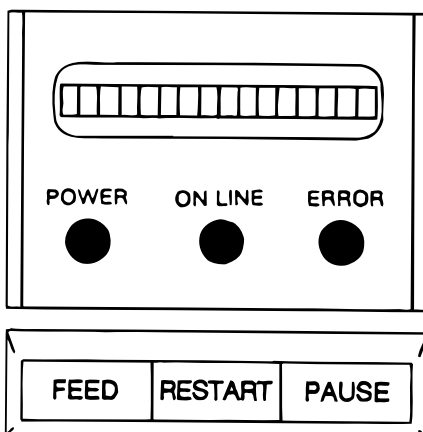


Fig. 3-2

AFFICHAGE DES MESSAGES (LCD)

Lors de la mise sous tension, "PRETE" est affiché.

VOYANT POWER (Vert)

Allumé lorsque l'imprimante est sous tension.

VOYANT ON-LINE (Vert)

- 1) Clignote pendant une communication avec l'ordinateur.
- 2) Allumé pendant l'impression.

VOYANT ERREUR (Rouge)

Allumé lors d'une erreur de transmission, d'une fin de papier ou de ruban.

Touche FEED

Avance d'une étiquette.

Touche RESTART

Relance l'impression lors d'une pause ou à la suite d'une erreur. Utilisé pour la détection des papiers pré-imprimés. (Voir page 9-4)

Touche PAUSE

Arrête l'impression en cours.

L'afficheur indique "PAUSE" suivi du nombre d'étiquettes restant à imprimer. Utilisé pour la détection des papiers pré-imprimés. (Voir page 9-4)

4. MISE EN ROUTE DE L'IMPRIMANTE

4.1 Connexion du cordon d'alimentation et des câbles

AVERTISSEMENT:

Prendre soin de couper l'alimentation avant de connecter le cordon d'alimentation et les autres câbles.

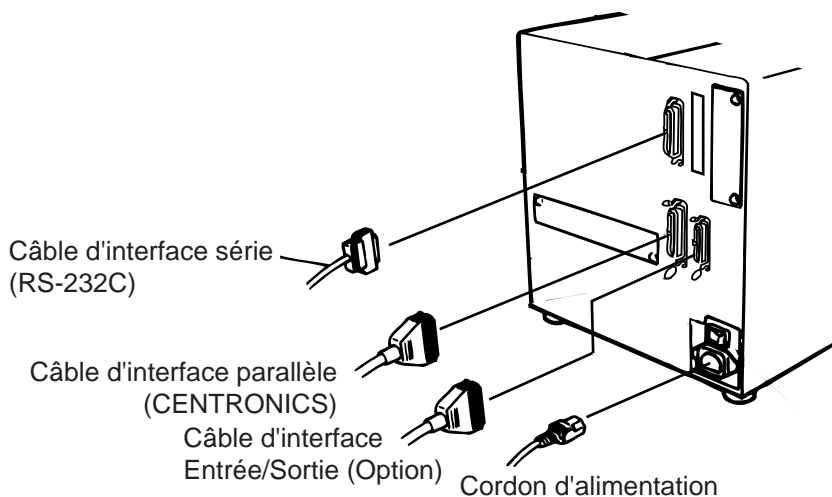


Fig. 4-1

4.2 Installation du filtre sur le ventilateur

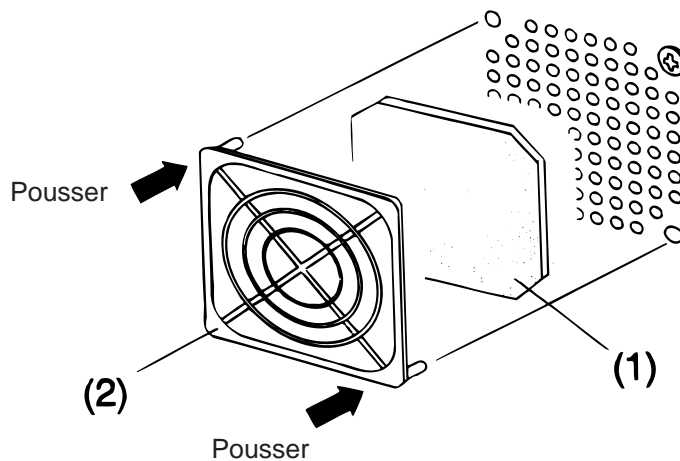


Fig. 4-2

Pendant l'installation de l'imprimante, il est important de vérifier le bon positionnement du filtre.

Le système de filtrage est composé de deux parties:

- (1) La mousse filtrante
- (2) Le support

Pour installer le filtre, placer la partie de mousse dans le support, puis le positionner en face des trous et le pousser.

5. CHARGEMENT DU PAPIER

AVERTISSEMENT!

1. Ne pas toucher des parties mobiles. Pour réduire le risque que des doigts, la joaillerie, les vêtements, etc., seraient tirés dans les parties mobiles, pousser l'interrupteur à la "coupé" pour arrêter le mouvement.
2. Afin d'éviter tout dommage, viter d'accrocher ou de coincer vos doigts lorsque vous ouvrez ou le capot.

L'imprimante peut imprimer sur des étiquettes autocollantes ou cartonnées.

1. Mettre l'imprimante hors tension et ouvrir le capot.
2. Tourner le levier de tête en position ③ afin de déverrouiller la plaque des supports ruban.

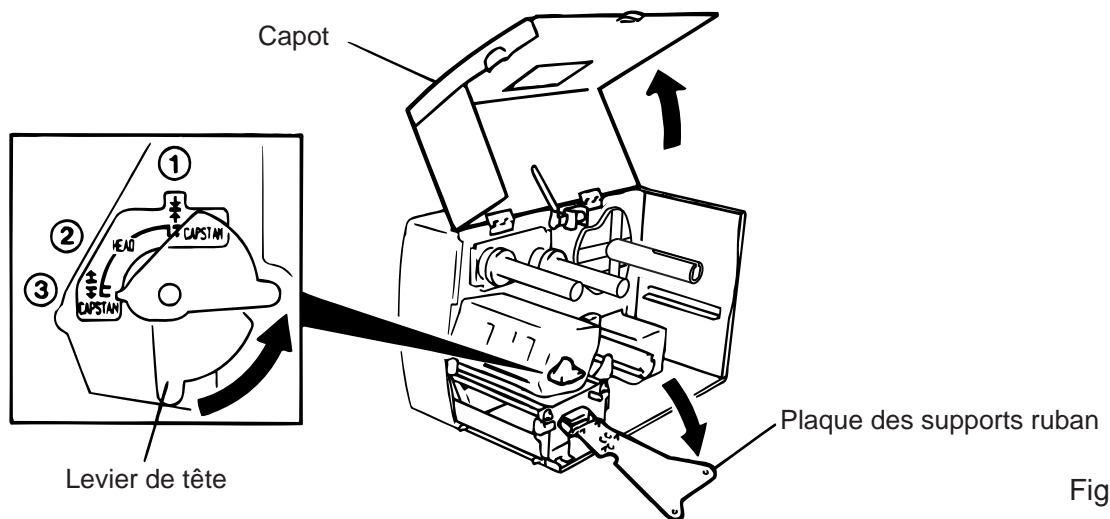


Fig. 5-1

NOTES: 1. Lorsque le levier de tête est ouvert, la tête d'impression est relevée.

2. Lorsque le levier de tête est ouvert, le galet d'entraînement arrière du papier est libéré.

3. Pendant l'impression, le levier de tête doit être en position ①, la tête et l'entraînement du papier sont fermés.

3. Tourner l'anneau de verrouillage vers la gauche pour dégager le guide papier et le sortir de l'axe.

NOTE: Ne tournez pas trop loin l'anneau de blocage vers la gauche (sens anti horaire) car il pourrait se détacher du support.

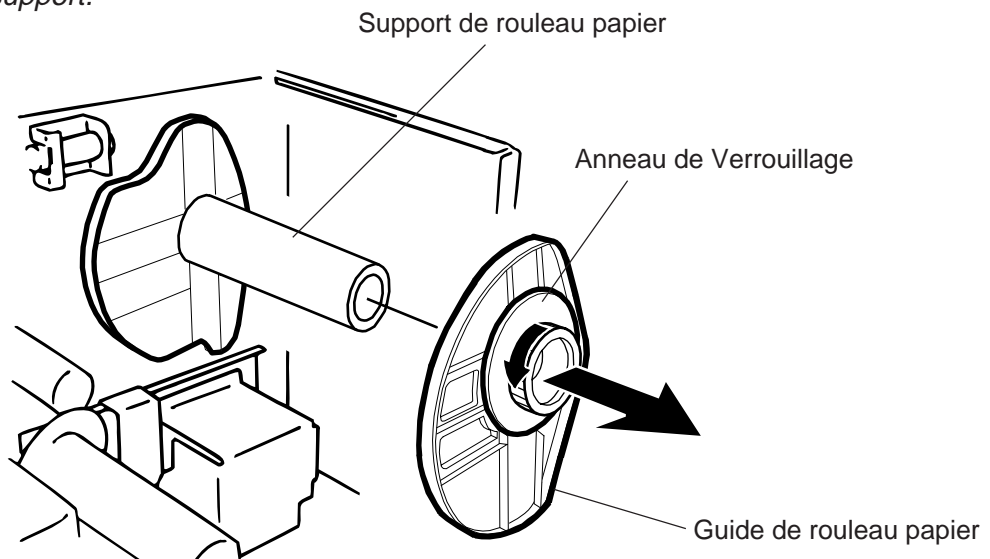


Fig. 5-2

4. Mettre la bobine sur l'axe support papier.
5. Passer le papier autour du regulateur de tension, puis le tirer vers la face avant de l'imprimante. Fixer le guide de rouleau papier restant sur le support papier.
6. Insérez l'ergot du guide papier dans la rainure sur l'axe du support papier, et resserrer de manière à bloquer le rouleau papier. Tourner alors l'anneau de verrouillage pour fixer le support papier en position. Cela a pour effet de centrer automatiquement le rouleau.

NOTE: Ne pas trop serrer l'anneau de verrouillage.

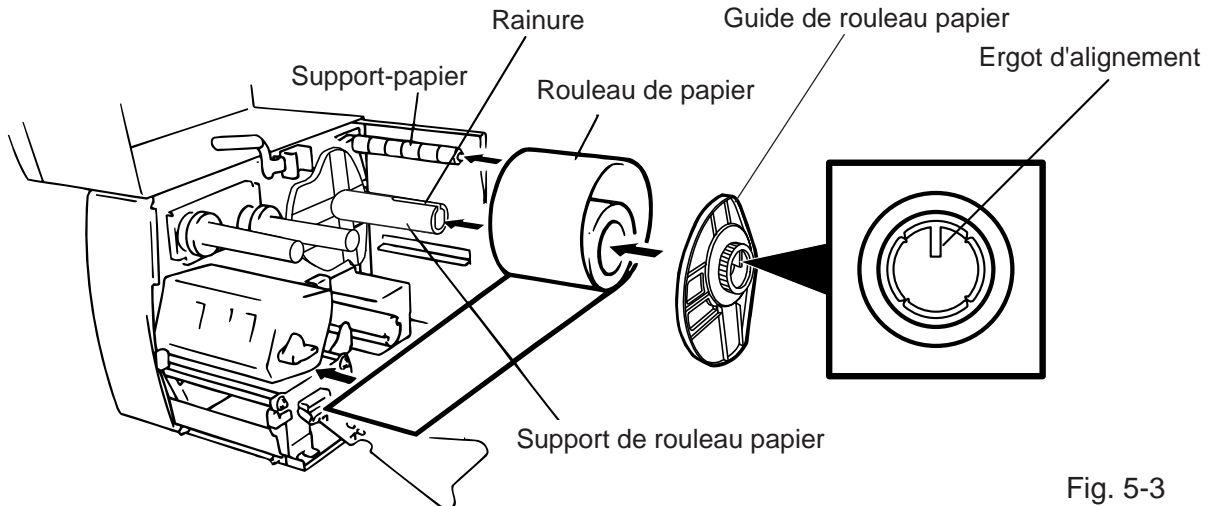


Fig. 5-3

7. Insérez le papier entre les plaques porte-papier du guide, ajustez les guides en largeur et serrez les vis de blocage.
8. Vérifier que le défilement du papier entre le support et la sortie est bien aligné.

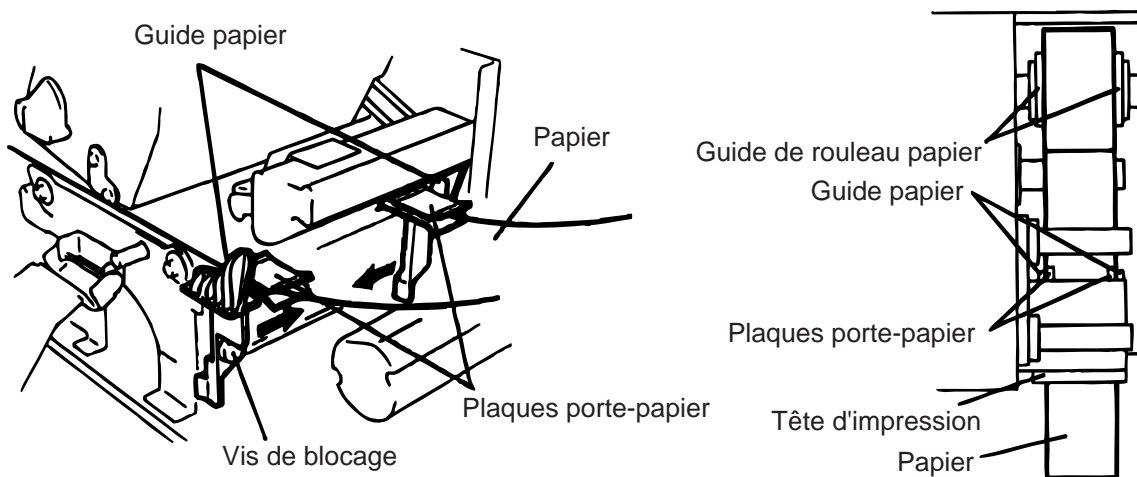


Fig. 5-4

NOTE: Lors de l'utilisation de rouleaux d'étiquettes avec enroulement extérieur, veuillez enlever les deux plaques porte-papier en suivant la procédure suivante. Laisser les plaques peut provoquer des brouillages papier.

N'hésitez pas à contacter votre agence TOSHIBA TEC la plus proche pour tous renseignements.

■ Démontage des plaques porte papier du guide papier

- ① Retirez les deux vis T-4x8 pour séparer le guide papier de l'imprimante.

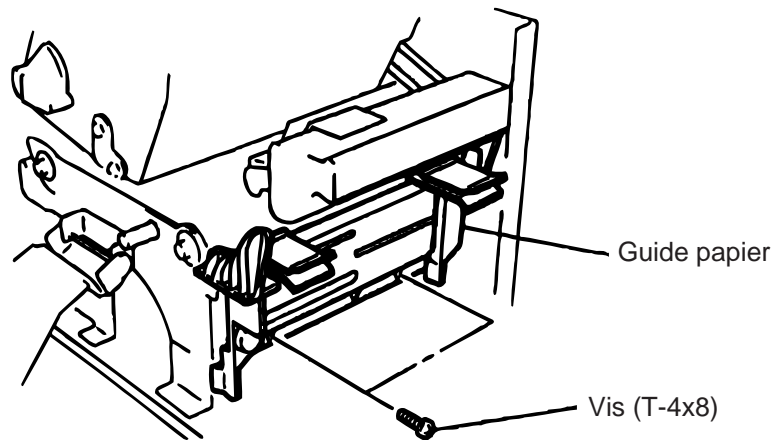


Fig. 5-5

- ② Retirez les vis SM-3x6 ou SM-3x8 pour séparer les plaques porte papier supérieures du guide papier.

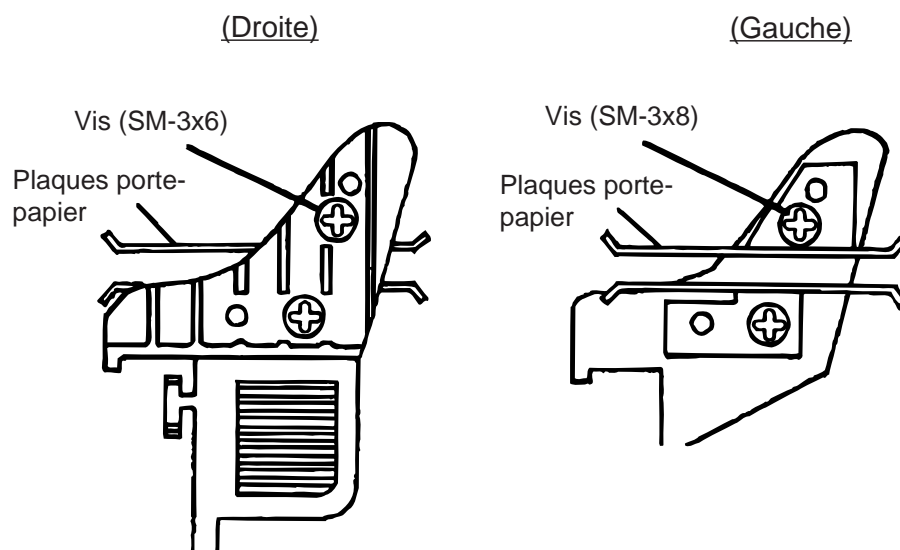


Fig. 5-6

- ③ Remettez le guide papier en place.

NOTE: Ne perdez pas les plaques supérieures car vous pourrez en avoir besoin si vous utilisez des rouleaux d'étiquettes avec enroulement intérieur.

9. Ajuster la position des cellules de détection papier. Lorsque vous tournez la vis vers la droite, les cellules se rapprochent du milieu, vers la gauche, elles s'éloignent.

■ Positionnement de la cellule de marque noire

- ① Sortir le papier de 500 mm et le faire entrer de nouveau sous la tête jusqu'aux cellules.
- ② Ajuster la position de la cellule marque noire pour avoir votre marque au milieu de celle-ci.

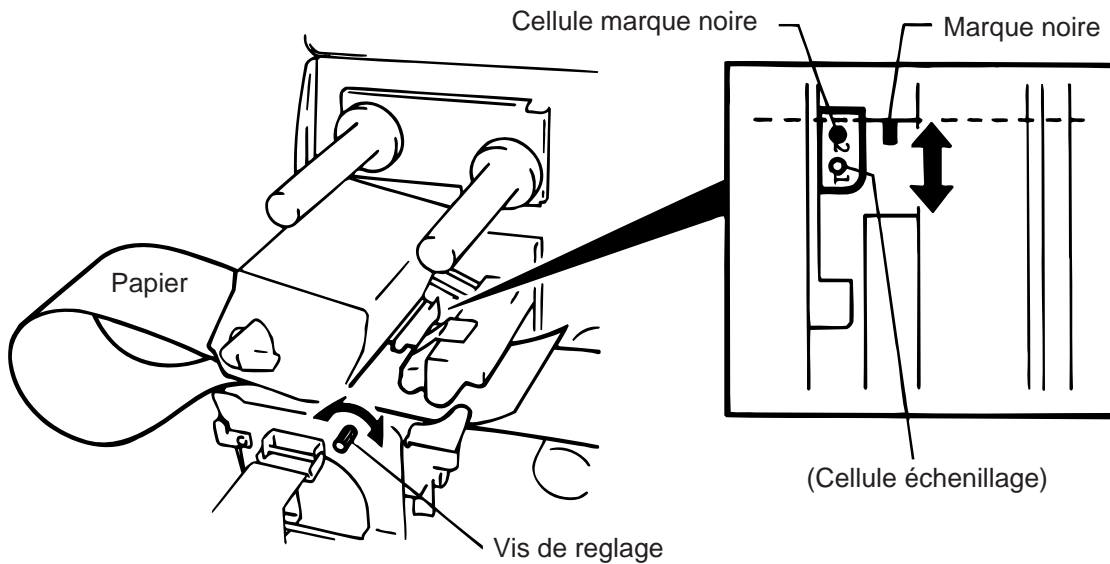


Fig. 5-7

ATTENTION: Veiller à positionner la cellule au milieu de la marque, dans le cas contraire, vous aurez des problèmes de détection papier.

■ Positionnement de la cellule d'échenillage

- ① Positionner la cellule pour la détection de l'échenillage.

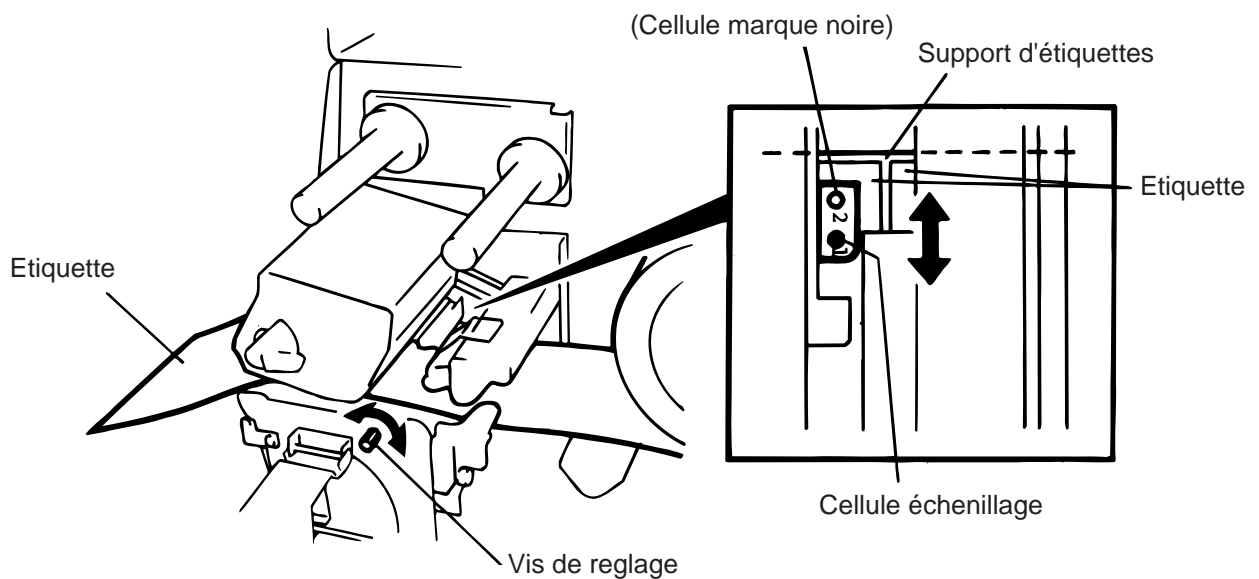


Fig. 5-8

10. Les opérations de chargement du papier et du réglage des cellules sont terminées.

Impression par lot:

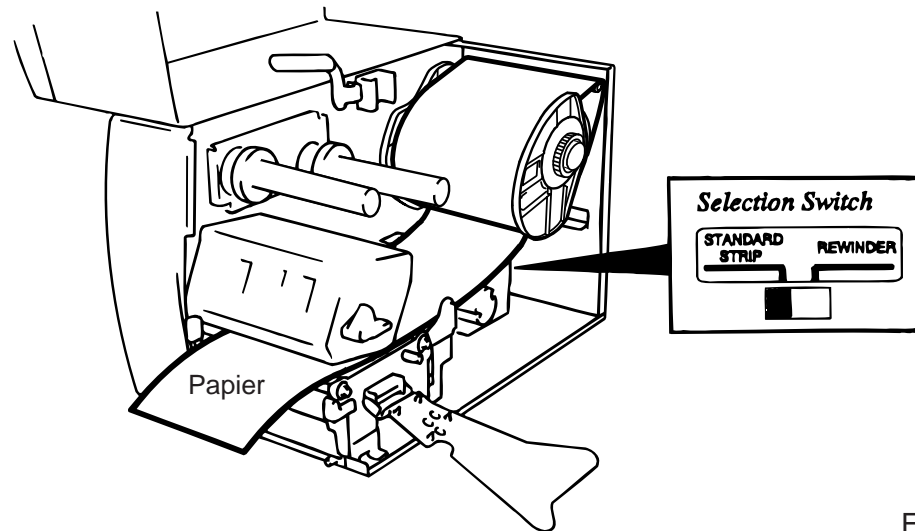


Fig. 5-9

NOTE: Placer le DIP SWITCH en position de STANDARD/STRIP. Une mauvaise position peut affecter la qualité de l'impression.

Pré-décollage:

- ① Retirer les étiquettes sur 50 cm du support silicone.
- ② Enrouler le support silicone sur le rembobineur et le fixer à l'aide de la pince papier.
- ③ Bobiner le papier support sur le rouleau afin de le tendre.

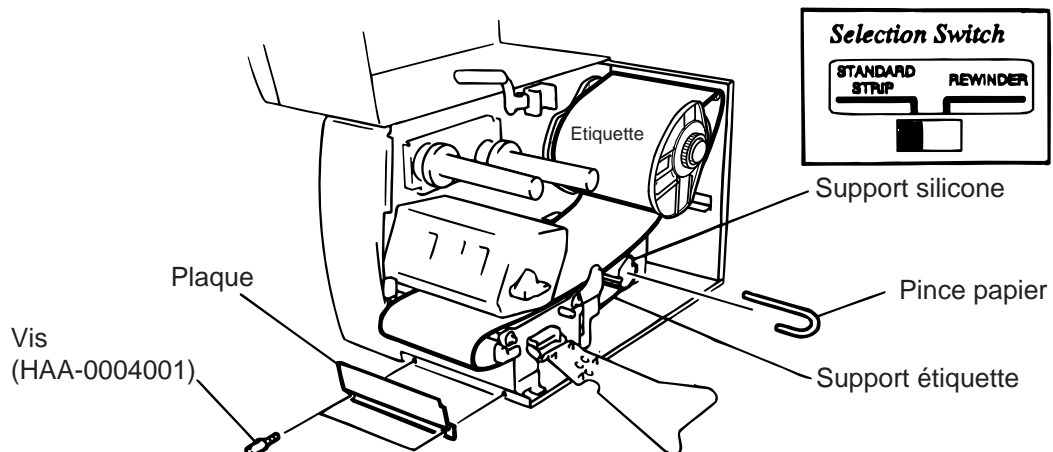


Fig. 5-10

- NOTES:**
1. Il est plus facile de retirer la plaque avant pour insérer le papier.
 2. Le pré-décolleur ne peut fonctionner à la vitesse de 10"/sec.
 3. Placer le DIP SWITCH en position de STANDARD/STRIP.

Coupe: Lors de l'utilisation du module de coupe, faites sortir le papier du couteau lors de sa mise en place.
 Type de massicot : Lorsque le massicot est installé, chargez le papier selon le mode normal, et passez-le à travers le massicot. Les massicots, rotatif ou à baïonnette, sont disponibles en option. Ils s'utilisent de la même manière malgré leur aspect différent. Ce qui suit explique le chargement du papier avec le massicot à baïonnette.

- NOTES:**
1. Il ne faut pas couper dans l'étiquette adhésive car la colle peut se déposer sur la lame, entraîner des problèmes de coupe et réduire la durée de vie de celle-ci. Dans ce cas, coupez dans l'échenillage.
 2. Si le bord des étiquettes s'enroule sur le rouleau d'impression en mode massicot, prenez contact avec votre centre de maintenance TOSHIBA TEC.
 3. Pour sélectionner l'option cutter, le DIP SWITCH peut être placé sur l'autre position.

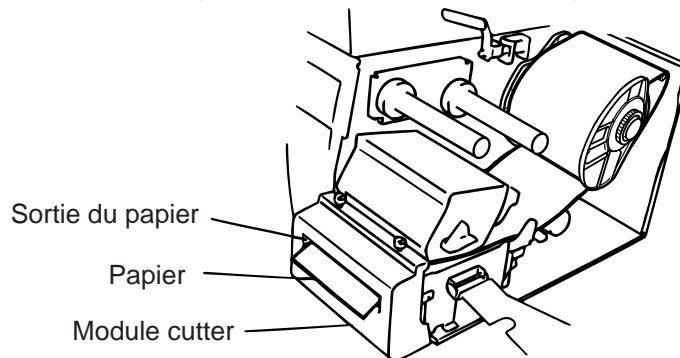


Fig. 5-11

Ré-embobineur interne:

- ① Démontez la plaque avant à l'aide des 2 vis.
- ② Montez à la place le guide de ré-embobinage et ses deux vis.

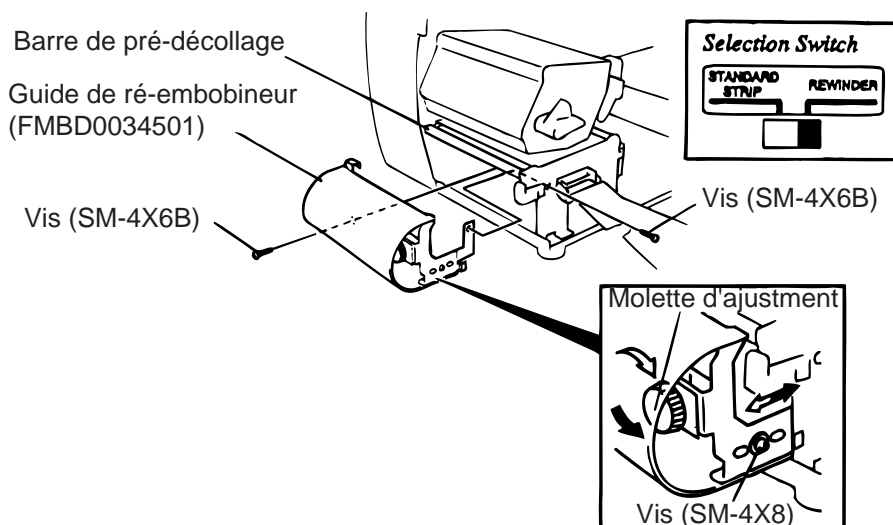


Fig. 5-12

NOTE: Placer le DIP SWITCH en position REWINDER.

- ③ Suivre la procédure du chargement de papier en mode pré-décollage.
- ④ Réglage

Si les étiquettes se décalent latéralement, ajustez la molette de réglage sur le guide du ré-embobineur pour corriger le guidage papier. Tournez dans le sens horaire pour avancer le guide, et dans le sens anti-horaire pour reculer le guide.

* Si les étiquettes se décalent à droite:

Desserrez la vis SM-4x8 avec un tournevis à tête phillips. Tournez la molette dans le sens horaire, et resserrez la vis SM-4x8 lorsque le guide du ré-embobineur est correctement réglé.

* Si les étiquettes se décalent à gauche:

Desserrez la vis SM-4x8 avec un tournevis à tête phillips. Tournez la molette dans le sens anti-horaire, et resserrez la vis SM-4x8 lorsque le guide du ré-embobineur est correctement réglé.

6. CHARGEMENT DU FILM

AVERTISSEMENT:

1. Ne pas toucher des parties mobiles. Pour réduire le risque que des doigts, la joaillerie, les vêtements, etc., seraient tirés dans les parties mobiles, pousser l'interrupteur à la "coupé" pour arrêter le mouvement.
2. Afin d'éviter tout dommage, éviter d'accrocher ou de coincer vos doigts lorsque vous ouvrez ou le capot.

Il y a deux types de papier, le papier standard et le papier thermique qui réagit à la chaleur. NE PAS METTRE DE RUBAN lors de l'utilisation du papier thermique.

1. Lors de l'utilisation d'un ruban étroit, déplacer le guide bobine en fonction de sa largeur pour le centrer par rapport à la tête. Pour déplacer ce guide, le tourner de 90° et le pousser.

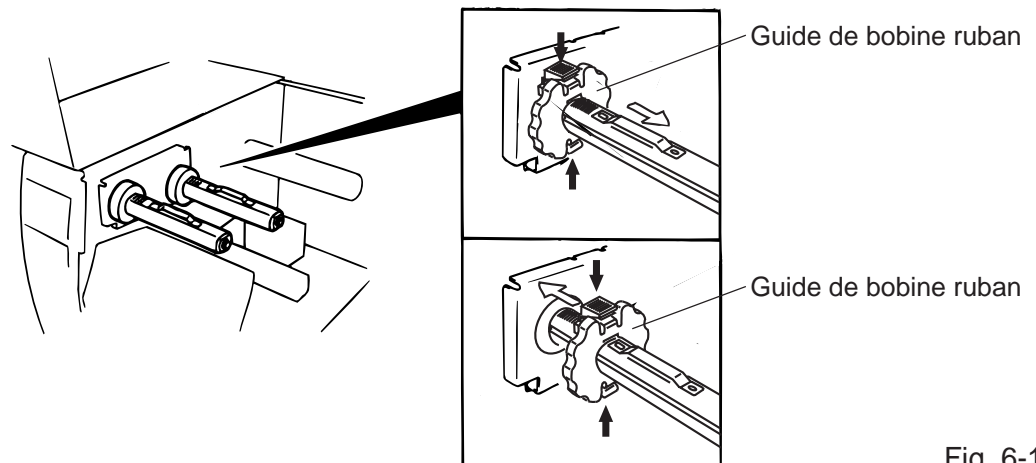


Fig. 6-1

2. Placer le ruban comme indiqué sur le dessin. Le ruban doit passer devant la cellule de présence ruban.
3. Bobiner le ruban afin de le tendre et d'éviter qu'il ne flotte trop.

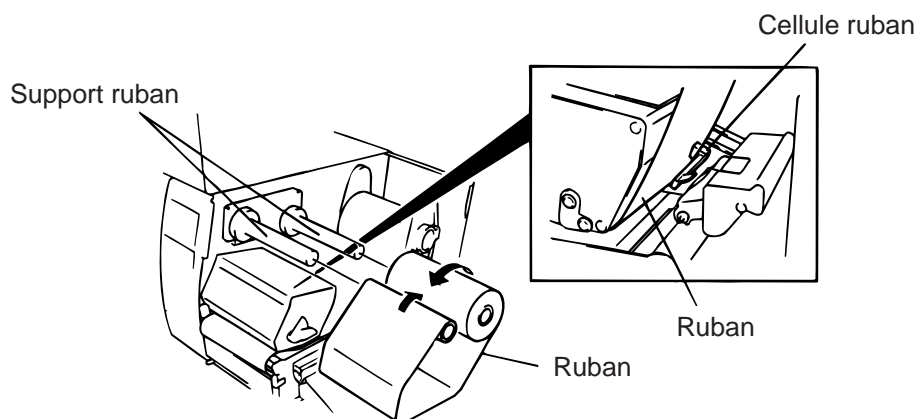


Fig. 6-2

4. Remettre en place la plaque des supports ruban.
5. Fermer la tête en tournant le levier de tête.
6. Fermer le capot.

7. INSTALLATION DE LA CARTE PCMCIA OPTIONNELLE

ATTENTION!

Mettez l'imprimante hors tension avant d'enficher ou de retirer une carte PCMCIA.

PRECAUTION:

Pour protéger les cartes PCMCIA, déchargez votre électricité statique en touchant une partie métallique de l'imprimante avant de manipuler les cartes.

1. Mettre l'appareil hors tension.
2. Enfichez la carte dans le port PCMCIA à l'arrière de l'imprimante.
3. Mettre l'appareil sous tension.

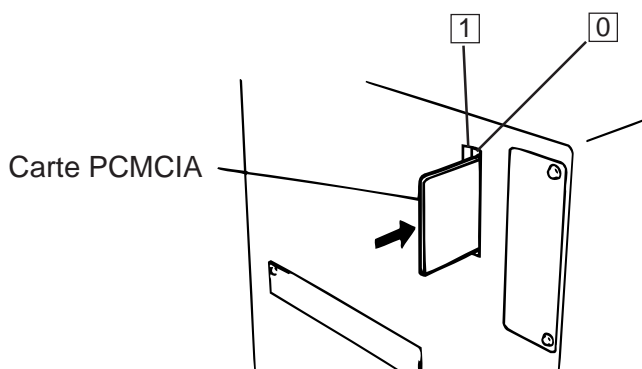


Fig. 7-1

- PRECAUTIONS:**
1. Lorsqu'elle n'est pas utilisée, protégez la carte PCMCIA en la rangeant dans son étui de protection.
 2. Ne pas soumettre la carte mémoire à des chocs ou à des forces excessives.
 3. Ne pas laisser la carte mémoire à la chaleur, comme en plein soleil ou près d'un radiateur.
 4. Ne pas exposer la carte mémoire à de l'humidité excessive en l'essuyant avec un chiffon mouillé ou en la laissant dans un endroit humide.
 5. Avant de mettre ou d'enlever la carte mémoire, vérifier que l'appareil est hors tension.
 6. Les cartes Flash suivantes peuvent être utilisées (les cartes 1 Mo en lecture seule, les cartes 4 Mo en lecture/écriture.)

Capacité	Fabricant	Type	Code produit	Code fabricant
1M Byte	Maxell	EF-1M-TB AA	D0H	1CH
	Mitsubishi	MF81M1-GBDAT01		
4M Byte	Maxell	EF-4M-TB CC	88H	B0H
	Maxell	EF-4M-TB DC	ADH	04H
	Centennial Technologies INC.	FL04M-15-11119-03		01H
	INTEL	IMC004FLSA	A2H	89H
	Simple TECHNOLOGY	STI-FL/4A		
	Mitsubishi	MF84M1-G7DAT01		
	PC Card KING MAX	FJN-004M6C		
	PC Card	FJP-004M6R	A0H	89H

7. Enfichez la carte Réseau LAN dans l'emplacement (1).

8. PRECAUTIONS DE STOCKAGE DES CONSOMMABLES

Utiliser uniquement des fournitures aux recommandations TOSHIBA TEC.

La raison de ces spécifications est d'assurer une bonne qualité d'impression, durée de vie de la tête et de produire des codes à barre lisibles. L'utilisation de fournitures hors normes peut réduire la durée de vie de la tête et provoquer de mauvaises impressions.

Toutes les fournitures doivent être stockées avec précaution afin d'éviter de les détériorer ou d'endommager l'imprimante.

Les indications suivantes pourront vous aider;

- Ne pas stocker les fournitures plus longtemps que recommandé.
- Stocker les consommables sur le côté du rouleau, le stockage côté bobine peut entraîner un plat qui provoquerait une mauvaise avance du papier et de mauvaises impressions.
- Enfermer les consommables dans des sacs en plastique clos.
Les fournitures non protégées peuvent prendre la poussière, ce qui risquerait de détériorer la tête d'impression.
- Stocker les consommables dans un lieu sec et tempéré.
Eviter de les exposer aux rayons directs du soleil, à une haute température, humidité, poussière ou gaz.
- Les caractéristiques du papier thermique, utilisé lors d'impressions thermiques directs ne doivent pas excéder "Na+800 ppm, K+250 ppm, CL-500 ppm".
- Certaines encres utilisées sur les étiquettes pré-imprimées peuvent contenir des composants risquant de raccourcir la durée de vie de la tête d'impression.
Ne pas utiliser d'étiquettes pré-imprimées avec une encre contenant des substances dures comme le "carbonic calcium" (CaCO_3) et le Kaolin ($\text{Al}_2\text{O}_3, 2\text{SiO}_2, 2\text{H}_2\text{O}$).

Pour plus d'informations, contacter votre distributeur ou fabricant de consommable.

9. MAINTENANCE

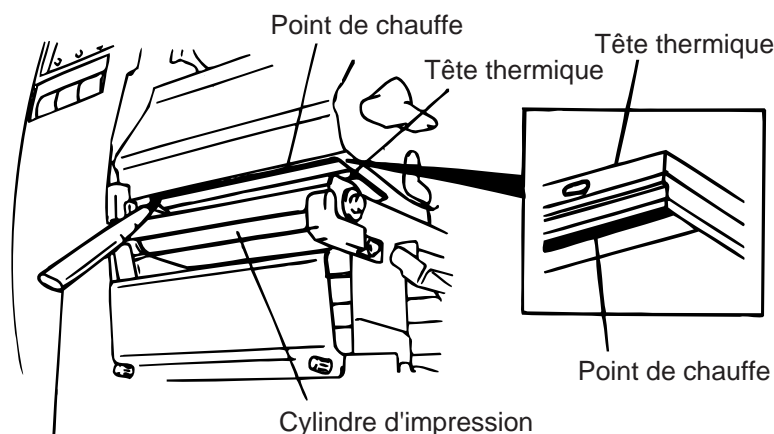
ATTENTION!

1. Attention, lorsque vous ouvrez le bloc d'impression, celui-ci peut être chaud.
2. Faire attention au couteau de l'imprimante.
3. Ne pas toucher des parties mobiles. Pour réduire le risque que des doigts, la joaillerie, les vêtements, etc., seraient tirés dans les parties mobiles, pousser l'interrupteur à la "coupé" pour arrêter le mouvement.
4. Afin d'éviter tout dommage, éviter d'accrocher ou de coincer vos doigts lorsque vous ouvrez ou le capot.

9.1 Nettoyage

Si la tête est encrassée, l'impression ne sera pas nette. Nous vous recommandons de nettoyer la tête avec le nettoyeur de tête thermique avant de mettre un nouveau ruban ou un nouveau rouleau de papier.

1. Mettre l'imprimante hors tension.
2. Ouvrir le capot supérieur.
3. Lever la tête d'impression à l'aide de son levier.
4. Enlever le papier et le ruban s'il y a lieu.
5. Nettoyer la tête d'impression à l'aide du nettoyeur de tête thermique fourni.
6. Nettoyer le rouleau d'impression avec de l'alcool, retirer les résidus de papier si nécessaire.



Nettoyeur de tête d'impression
(24089500013)

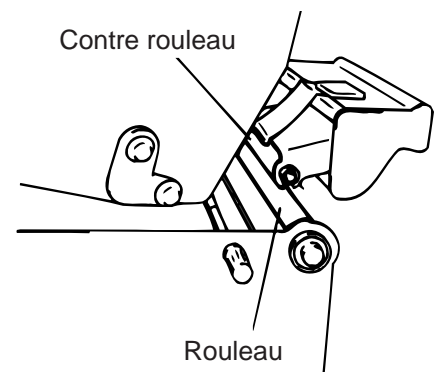


Fig. 9-1

ATTENTION!

1. Mettre l'imprimante hors tension avant toute manipulation.
2. Prendre soin de ne pas endommager la tête d'impression lors du nettoyage.
3. Ne pas vaporiser de liquide sur l'imprimante.

9.2 Capot, Face Avant

Nettoyer les capots à l'aide d'un chiffon sec ou imbibé d'une solution adaptée.

NOTE: Utiliser des produits prévus pour l'électricité statique.

ATTENTION!

1. NE PAS vaporiser de liquide directement sur l'imprimante.
2. NE PAS utiliser de détergent.
3. NE JAMAIS utiliser de solvantes.
4. NE PAS nettoyer la fenêtre avec de l'alcool, cela pourrait la rendre opaque.

9.3 Elimination des Fournitures Coincées

1. Mettre l'imprimante hors tension.
2. Soulever le capot supérieur.
3. Tourner le levier de tête pour déverrouiller la plaque des supports ruban.
4. Enlever la vis rainurée pour détacher la plaque du guide papier.
5. Retirer le papier et le ruban.
6. Enlever le papier coincé. NE PAS UTILISER d'outils qui pourraient endommager l'imprimante.
7. Nettoyer la tête et le cylindre d'impression des poussières ou autres substances.
8. Placez la partie ② du guide papier sur la cellule papier. Fixez le guide papier avec la vis rainurée.

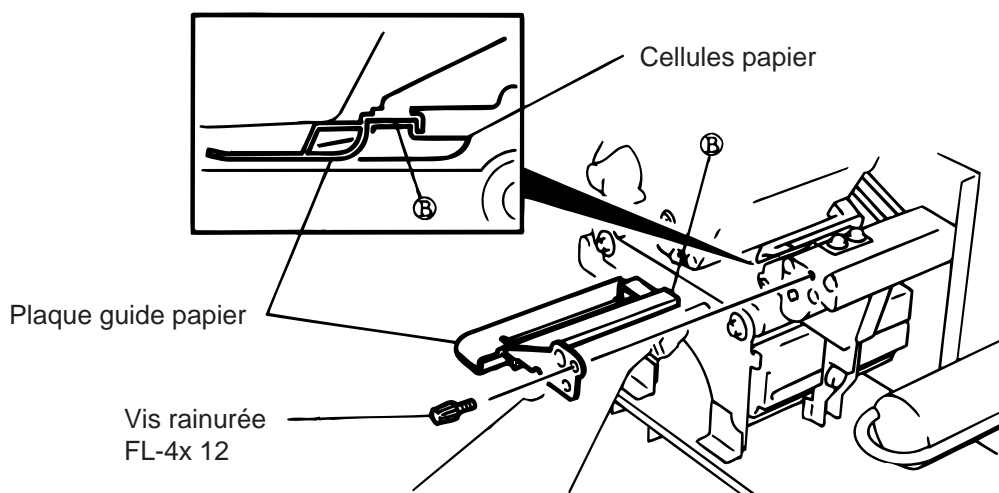


Fig. 9-2

9. Le bouchage dans le couteau peut être provoqué par l'usure de la lame. Ne pas utiliser de papier en dehors des spécifications. Si le bouchage se produit trop souvent, contacter votre service après vente TOSHIBA TEC.

■ Nettoyage du couteau

ATTENTION!

1. Vérifier que l'imprimante est hors tension.
2. Veiller à ne pas abîmer la lame du couteau.

Les massicots, rotatif ou à baïonnette, sont disponibles en option. Ils se nettoient de la même manière malgré leur aspect différent. Ce qui suit explique le nettoyage du massicot à baïonnette.

1. Devisser les deux vis pour sortir le capot du couteau.
2. Retirer la vis blanche et le guide papier.
3. Enlever le papier coincé.
4. Nettoyer la lame à l'aide d'un chiffon doux.

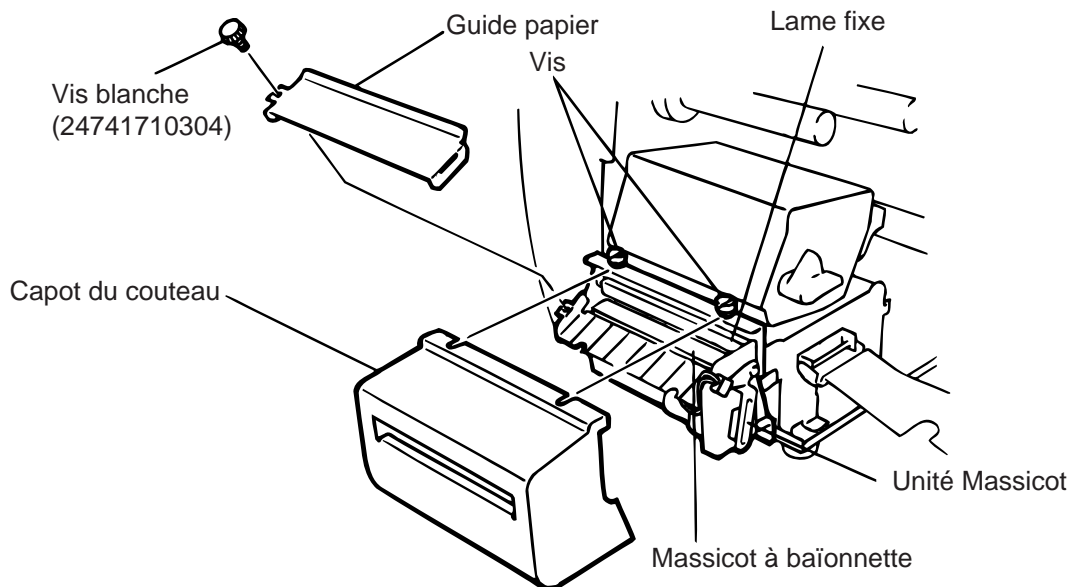


Fig. 9-3

5. Remonter dans l'ordre inverse.

■ Economiseur de ruban automatique

L'économiseur de film se déclenche automatiquement lorsque se présente une zone non imprimée supérieure à 17 mm. Interrogez votre centre de maintenance TOSHIBA TEC pour de plus amples renseignements à ce sujet.

NOTE: En fonction de la vitesse et des diamètres des mandrins ruban, le gain de ruban est réduit de:

Vitesse	Réduction
3"/sec.	~ 5 mm
5"/sec.	~ 8 mm
8"/sec.	~ 17 mm

10. DEPISTAGE DES PANNES

ATTENTION:

Notre premier souci est de vous donner entière satisfaction et un meilleur service. S'il y avait, malgré tout, un problème de fonctionnement de cette imprimante, veuillez vérifier les points suivants avant de faire appel au service après-vente. Ces messages apparaissent sur l'afficheur du panneau de contrôle. Mettre l'imprimante hors tension et contacter votre service après vente TOSHIBA TEC.

Message	Problème	Solution
PB. PAPIER ****	<ol style="list-style-type: none"> 1. Le papier n'est pas placé correctement. 2. Le papier bourre dans l'imprimante et ne sort pas librement. 3. Le papier en place ne correspond pas au choix de la cellule. 4. La position de la cellule n'est pas bonne. 5. La taille du papier est différente de celle indiquée par le logiciel. 6. La cellule ne détecte pas une zone pré-imprimée par rapport à l'échenillage. 	<ol style="list-style-type: none"> 1. Replacer le papier. → Appuyer sur la touche [RESTART]. 2. Enlever le papier qui bourre et re-placer le papier correctement. → Appuyer sur la touche [RESTART]. 3. Mettre l'imprimante hors tension et l'allumer, sélectionner la bonne cellule suivant le papier. → Appuyer sur FEED. 4. Placer le papier correctement. → Appuyer sur la touche [RESTART]. 5. Mettre l'imprimante hors tension et l'allumer, indiquer la taille du papier. → Appuyer sur FEED. 6. Fixer l'analyse du papier selon le point 9-4. Mettre l'imprimante hors tension et contacter votre service après vente TOSHIBA TEC.
TETE OUVERTE ****	L'imprimante tente d'imprimer une étiquette alors que la tête est ouverte.	Refermer la tête → Appuyer sur la touche [RESTART] .
FIN PAPIER ****	Il n'y a plus de papier.	Mettre un nouveau rouleau en place. → Appuyer sur la touche [RESTART] .
FIN RUBAN ****	Il n'y a plus de ruban.	n nouveau ruban en place. → Appuyer sur la touche [RESTART] .
ERR. REMB. ****	Il y a trop de papier sur le rembobineur.	Retirer le papier. Appuyer sur la touche [RESTART] .
TETE TROP CHAUDE	La tête d'impression est trop chaude.	Mettre l'imprimante hors tension et attendre que la tête refroidisse.
ERREUR RUBAN ****	Il y a un problème avec la mécanique de ruban.	Mettre l'imprimante hors tension et contacter votre service après vente TOSHIBA TEC.

Message	Problème	Solution
PB. CUTTER ****	Il y a un bourrage dans le système de coupe.	Enlever le papier qui bourre et remettre le papier correctement. → Appuyer sur la touche [RESTART] . Mettre l'imprimante hors tension et contacter votre service après vente TOSHIBA TEC.
ERREUR MEM FLASH	Il y a eu une erreur pendant l'écriture dans la carte mémoire FLASH ou la carte ATA.	1. Mettre l'imprimante hors tension et réinsérer la carte. 2. Changer de carte mémoire. 3. Mettre l'imprimante hors tension et contacter votre service après vente TOSHIBA TEC.
ERREUR DE FORMAT	Il y a eu une erreur pendant le formatage de la carte mémoire FLASH ou la carte ATA.	1. Mettre l'imprimante hors tension et réinsérer la carte. 2. Changer de carte mémoire. 3. Mettre l'imprimante hors tension et contacter votre service après vente TOSHIBA TEC.
MEM INSUFFISANTE	Il n'y a pas assez de place dans la carte mémoire FLASH ou la carte ATA.	Remplacez la carte avec une nouvelle. Renvoyez les données depuis le début. (Pour la carte mémoire FLASH, seules les cartes 1MB et 4MB sont utilisables.)
ERR. COMMUNICAT.	Une erreur est intervenue pendant la transmission série (RS-232C).	Mettre l'imprimante hors tension. Tester à nouveau ou appuyer sur la touche [RESTART] . → Contacter votre service après vente TOSHIBA TEC si nécessaire.
exemple) PC001; 0A00, Erreur de syntaxe 0300, 2, 2	Lors d'une erreur de syntaxe, l'afficheur vous indique la ligne en cause sur 16 caractères.	Corriger votre application.
Autres messages	Problèmes internes.	Mettre l'imprimante hors tension puis rallumer. Si le problème persiste, contacter votre service après vente TOSHIBA TEC.

NOTE: Si votre erreur n'est pas annulée par l'appui de la touche **[RESTART]**, mettre l'imprimante hors tension et rallumer. Dans ce cas, les données transmises sont perdues.

**** Signifie le nombre d'impression restant à effectuer.

Problème	Solution
Pas d'impression.	<ol style="list-style-type: none">1. Vérifier si le papier ou le ruban est chargé correctement.2. Vérifier si le bloc de tête est positionné correctement.3. Vérifier si le câble d'interface est raccordé correctement.
Des points n'apparaissent pas à l'impression.	Certains points de la tête sont défectueux. → Nettoyer la tête d'impression. Contacter votre service après vente TOSHIBA TEC si nécessaire.
Impression pas nette (ou floue).	<ol style="list-style-type: none">1. Tête d'impression encrassée → Nettoyer la tête d'impression.2. Ruban défectueux. → Mettre un nouveau ruban.3. Mauvais type de papier pour l'impression. → Changer de type de papier.
L'imprimante ne se met pas sous tension.	<ol style="list-style-type: none">1. Brancher la fiche d'alimentation à fond sur la prise secteur.2. Vérifier le coupe circuit.3. Vérifier si la prise secteur est alimentée. (Vérifier à l'aide d'un autre appareil électrique.) Contacter votre service après vente TOSHIBA TEC si nécessaire.
Pas d'action du couteau.	Vérifier si l'imprimante est sous tension. Contacter votre service après vente TOSHIBA TEC si nécessaire.
Le bord de découpe de papier n'est pas net.	<ol style="list-style-type: none">1. Nettoyer les lames.2. Les lames sont usées. → Contacter votre service après vente TOSHIBA TEC.

TEC

TEC Thermo-/Thermotransfer-Drucker

B-480-QP SERIES

Bedienungsanleitung

Zusammenfassung sicherheitsregeln

Sicherheit bei der Bedienung sowie bei Wartungsarbeiten am Geräte hat oberste Priorität. Notwendige Vorsichts- und Warnhinweise für eine sichere Handhabung sind in diesem Handbuch enthalten. All Vorsichts- bzw. Warnhinweise in diesem Handbuch sollten vor einer Bedienung oder Wartung sorgfältig gelesen und befolgt werden.

Versuchen Sie nicht selber den Drucker zu reparieren oder zu modifizieren. Wenn ein Fehler auftritt und dieser nicht durch die in diesem Handbuch beschriebenen Maßnahmen behoben werden kann, schalten Sie das Gerät aus, ziehen Sie den Stecker und verständigen Sie Ihren TOSHIBA TEC Vertragshändler.

Bedeutung der Symbole



Dieses Symbol weist auf Gefahren hin (einschließlich Warnungen). Einzelne Warnungsinhalte werden innerhalb des \triangle Symbols dargestellt. (Das linke Symbol bedeutet eine allgemeine Warnung.)



Dieses Symbol weist auf verbotene Aktionen hin (verbotene Punkte). Einzelne Verbotsinhalte werden innerhalb oder in der Nähe des \circ Symbols dargestellt. (Das linke Symbol bedeutet ein "Zerlegungsverbot".)



Dieses Symbol weist auf durchzuführende Aktionen hin. Einzelne Anweisungen werden innerhalb des \bullet Symbols dargestellt. (Das linke Symbol bedeutet "Netzstecker von Netzsteckdose abziehen".)

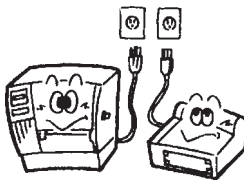


WARNUNG

Weist darauf hin, daß bei unsachgemäßer Handhabung der Maschinen und Mißachtung dieses Hinweises **Lebensgefahr** oder die Gefahr **schwerer Körperverletzungen** besteht.



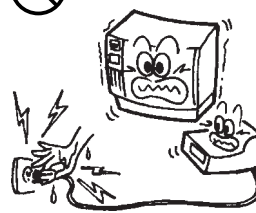
Jede andere als die vorgeschriebene Netzspannung (AV) ist verboten.



■ Benutzen Sie keine anderen Spannungen als die auf dem Typenschild angegebene Netzspannung (AC), weil sonst **Feuer** oder **elektrische Schläge** verursacht werden können.



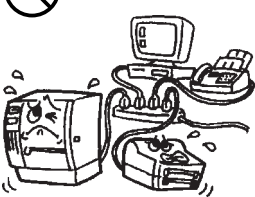
Verboten



■ Unterlassen Sie das Einstecken oder Abziehen des Netzsteckers mit nassen Händen, weil dies zu **elektrischen Schlägen** führen kann.



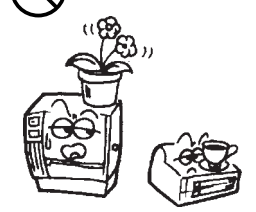
Verboten



■ Falls die Maschinen dieselbe Stromquelle mit irgendwelchen anderen Elektrogeräten teilen, die einen hohen Stromverbrauch haben, kann es zu Spannungsschwankungen kommen, wenn diese Geräte in Betrieb genommen werden. Schließen Sie die Maschinen unbedingt an eine eigene Stromquelle an, da es anderenfalls zu **Störungen** der Maschinen kommen kann.



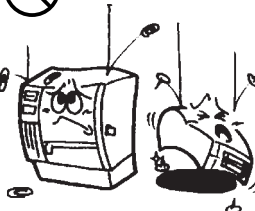
Verboten



■ Stellen Sie keine Metallgegenstände oder mit Wasser gefüllte Behälter, wie z.B. Blumenvasen, Blumentöpfe, Becher usw., auf die Maschinen. Falls Metallgegenstände oder verschüttete Flüssigkeiten in die Maschinen gelangen, besteht die Gefahr von **Feuer** oder **elektrischen Schlägen**.



Verboten



■ Achten Sie darauf, daß keine Metallgegenstände, brennbare Materialien oder sonstige Fremdkörper durch die Ventilationsöffnungen in die Maschinen gesteckt oder fallengelassen werden, weil dadurch **Feuer** oder **elektrische Schläge** verursacht werden können.



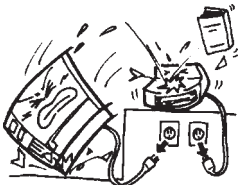
Verboten



■ Die Netzkabel dürfen nicht verkratzt, beschädigt oder verändert werden. Außerdem dürfen sie nicht durch schwere Gegenstände belastet, gezogen oder geknickt werden, weil dadurch **Feuer** oder **elektrische Schläge** verursacht werden können.



Netzstecker abziehen.




■ Falls die Maschinen fallengelassen oder ihre Gehäuse beschädigt werden, schalten Sie zuerst die Netzschalter aus, und ziehen Sie die Netzstecker von den Steckdosen ab, bevor Sie sich an Ihren örtlichen TOSHIBA TEC Fachhändler wenden. Fortgesetzter Betrieb der Maschine unter dieser Bedingung kann zu **Feuer** oder **elektrischen Schlägen** führen.



Netzstecker abziehen.



■ Fortgesetzter Betrieb der Maschinen unter abnormen Bedingungen, z.B. wenn die Maschinen Rauch oder ungewöhnliche Gerüche erzeugen, kann zu **Feuer** oder **elektrischen Schlägen** führen. In solchen Fällen sind sofort die Netzschalter auszuschalten und die Netzstecker von den Steckdosen abziehen. Wenden Sie sich dann an Ihren örtlichen TOSHIBA TEC Fachhändler.

 <p>Netzstecker abziehen.</p>  <p>■ Falls Fremdkörper (Metallteile, Wasser, Flüssigkeiten) in die Maschinen gelangen, schalten Sie zuerst die Netzschalter aus, und ziehen Sie die Netzstecker von den Steckdosen ab, bevor Sie sich an Ihren örtlichen TOSHIBA TEC Fachhändler wenden. Fortgesetzter Betrieb der Maschine unter dieser Bedingung kann zu Feuer oder elektrischen Schlägen führen.</p>	 <p>Netzstecker abziehen.</p>  <p>■ Beim Abziehen der Netzkabel darf nur am Stecker gezogen werden. Durch Ziehen am Kabel können die internen Drähte freigelegt und Feuer oder elektrische Schläge verursacht werden.</p>
 <p>Erdleiter anschließen.</p>  <p>■ Stellen Sie eine korrekte Erdung sicher! Auch Verlängerungskabel müssen geerdet sein. Sollte dies nicht der Fall sein, kann dies einen Kurzschluß oder Feuer verursachen.</p>	 <p>Nicht zerlegen.</p>  <p>■ Versuchen Sie niemals, das Gerät selber aufzuschrauben, zu reparieren oder umzubauen. Andernfalls könnten Sie durch hohe Spannungen, heiße Baugruppen oder scharfe Kanten im Gerät verletzt werden.</p>



VORSICHT

Weist darauf hin, daß bei unsachgemäßer Handhabung der Maschinen und Mißachtung dieses Hinweises die Gefahr von **Körperverletzungen** oder **Sachbeschädigung** besteht.

Vorsichtsmaßnahmen

Die folgenden Vorsichtsmaßnahmen helfen sicherzustellen, daß das Gerät einwandfrei funktioniert.

- Versuchen Sie folgendes zu verhindern:
 - * Temperatur ist außerhalb der Spezifikationen
 - * Direktes Sonnenlicht
 - * Hohe Luftfeuchtigkeit
 - * Starke Vibrationen
 - * Mehrfachsteckdose
 - * Staub
- Reinigen Sie das Gehäuse mit einem trockenen oder mit einem Reinigungsmittel ge-tränktem Tuch. Verwenden Sie niemals Verdüner oder andere chemische Lösungsmittel zur Reinigung der Plastikteile.
- Verwenden Sie nur TOSHIBA TEC Original Etikettenmaterial und Farbbänder, das den Spezifikationen von TOSHIBA TEC entspricht.
- Etiketten, Etikettenmaterial und Farbbänder sollten so gelagert werden, daß sie vor direktem Sonnenlicht, hohen Temperaturen, Feuchtigkeit, Staub und Gas geschützt sind.
- Stellen Sie sicher, daß der Drucker auf einer ebenen Fläche steht.
- Im Fehlerfall übernehmen wir keine Garantie für Daten die sich im Speicher befanden.
- Vermeiden Sie einen gemeinsamen Stromanschluß mit starken Verbrauchern oder mit Geräten, die zu Netzschwankungen führen können.
- Ziehen Sie immer den Netzstecker bei Reinigungs- und Wartungsarbeiten im Inneren der Maschine.
- Halten Sie Ihre Arbeitsumgebung frei von statischen Aufladungen.
- Stellen Sie keine schweren Gegenstände auf die Maschinen, weil diese Gegenstände durch Umkippen oder Herunterfallen **Verletzungen** verursachen können.
- Die Ventilationsöffnungen der Maschinen dürfen nicht blockiert werden, weil sich sonst ein Wärmestau im Inneren der Maschinen bilden kann, der zu einem **Feuer** führen kann.
- Stützen Sie sich niemals auf die Maschine. Sie könnte sonst herunterfallen und Sie verletzen oder selbst beschädigt werden.
- Das Messer des Druckers ist sehr scharf, daher ist HÖCHSTE VORSICHT geboten, um Verletzungen zu vermeiden.
- Ziehen Sie den Netzstecker, wenn Sie den Drucker über einen längeren Zeitraum nicht nutzen.

Wartungshinweise

- Nutzen Sie unsere Wartungsangebote.
Nach dem Kauf eines Druckers sollten Sie diesen regelmäßig mindestens einmal pro Jahr von Ihrem TOSHIBA TEC Vertragshändler fachmännisch reinigen lassen. Ansonsten könnten Staubpartikel eine Fehlfunktion oder sogar Feuer auslösen.
- Unser Wartungsservice bietet periodische Check und vollzieht notwendige Arbeiten, um die Qualität Ihres Produktes zu erhalten sowie Unfällen vorzubeugen.
Nähere Informationen erhalten Sie von Ihrem TOSHIBA TEC Vertragshändler.
- Bei Einsatz von Insektiziden und anderen Chemikalien:
Setzen Sie den Drucker nicht Insektiziden oder anderen flüchtigen Lösungsmitteln aus, da diese das Gehäuse oder andere Teile angreifen und die Lackierung beschädigen.

INHALTSVERZEICHNIS

	Seite
1. EINFÜHRUNG/ALLGEMEINE HINWEISE	G1- 1
1.1 Modellbezeichnung	G1- 1
1.2 Beipack	G1- 1
2. SPEZIFIKATIONEN	G2- 1
2.1 Drucker	G2- 1
2.2 Optionen	G2- 2
2.3 Farbband	G2- 2
2.4 Papier	G2- 3
3. ÜBERBLICK.....	G3- 1
3.1 Vorder-/Rückseite	G3- 1
3.2 Anzeigen und Tasten	G3- 1
4. INSTALLATION DES DRUCKERS.....	G4- 1
4.1 Anschluss der Kabel	G4- 1
4.2 Lüfterfilter installieren	G4- 1
5. EINSETZEN DES PAPIERS	G5- 1
6. EINSETZEN DES FARBBANDES	G6- 1
7. EINSETZEN DES ZUBEHÖRS PCMCIA KARTE	G7- 1
8. HINWEISE ZUM PAPIER UND FARBBAND.....	G8- 1
9. WARTUNG	G9- 1
9.1 Reinigen	G9- 1
9.2 Gehäuse	G9- 2
9.3 Beseitigung eines Papierstaus	G9- 2
9.4 Sensor-Anpassung für vorgedruckte Etiketten	G9- 4
10. FEHLERBEHEBUNG	G10- 1

ACHTUNG

1. *Dieses Handbuch darf ohne vorherige schriftliche Genehmigung von TOSHIBA TEC weder ganz noch auszugsweise kopiert werden.*
2. *Wir behalten uns vor, den Inhalt des Handbuches ohne Vorankündigung zu ändern.*
3. *Wenn Sie weitergehende Fragen haben oder Teile dieses Handbuches nicht verständlich sein sollten, wenden Sie sich bitte an Ihren TOSHIBA TEC Fachhändler oder an die zuständige TOSHIBA TEC Landesgesellschaft.*

1. EINFÜHRUNG

Vielen Dank, da Sie sich für den TEC Drucker B-480 entschieden haben. Dieser Drucker vereinigt hohe Auflösung (12 Punkte/mm \geq 304.8 DPI) mit hoher Druckgeschwindigkeit und ist auch in industrieller Umgebung einsetzbar, da das Papier im Drucker Platz findet.

Optionales Zubehör wie eine automatische Farbbandoptimierung, ein eingebauter Aufwickler mit Spendeeinheit und eine externe Abwickleinheit runden dieses Produkt ab.

Dieses Handbuch enthält Informationen zum Betrieb und zur Wartung des Druckers. Bitte lesen Sie es sorgfältig, um die besten Druckergebnisse zu erzielen. Der Drucker wurde so konzipiert, daß bei Fehlbedienungen keine Gefahr besteht, den Drucker zu beschädigen. Benutzen Sie dieses Handbuch, wenn Sie Fragen zum Drucker haben oder irgendwelche Probleme auftreten. Bewahren Sie dieses Handbuch gut auf.

WARNING!

This is a Class A product. In a domestic environment this product may cause radio interference in which case the user may be required to take adequate measures.

ACHTUNG:

Greifen Sie NIE in den Drucker während des Öffnens oder Schließens, so vermeiden Sie Verletzungen.

ACHTUNG:

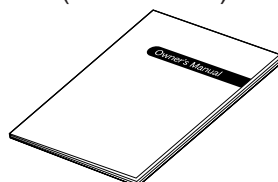
Fassen Sie keine beweglichen Teile an. Um zu verhindern, daß finger, Schmuck, Kleidungsstücke oder ähnliches von den beweglichen Teilen erfaßt werden, schalten Sie das Gerät IMMER "AUS".

1.1 Modellbezeichnung

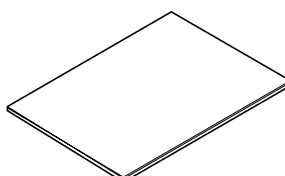
- B-482-TS10-QP (Gehäuse)
(Typenschild)
- B - 4 8 2 - T S 1 0 - Q P**
- QP: Europa-Version
- Druckmodus
S:kontinuierlich
- Auflösung
T: 12 Dots/mm
- 2: Thermodirekt/Thermotransfer

1.2 Beipack

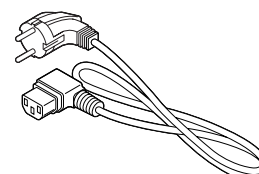
Bediener-Handbuch
(EO1-33007)



Auspack-Hinweise



Netzkabel



Lüfterfilter
(FMBB0036801)



2. SPEZIFIKATIONEN

2.1 Drucker

ITEM	B-482-TS10-QP
Netzspannung Leistungsaufnahme Temperaturbereich Luftfeuchte Druckkopf	AC 220V ~ 240V +10%, -15%, 50Hz 1.13A, 128W maximum (standby: 250mA, 23W) 5°C ~ 40°C 25% ~ 85% relative Luftfeuchte, nicht kondensierend Dünnschicht-Thermo-Druckkopf, 12 Elemente/mm, "Near Edge" Typ
Druckmethode Druckgeschwindigkeit	Thermodirekt / Thermotransfer 76.2 mm/Sek., 127 mm/Sek., 203.2 mm/Sek., 101.6 mm/Sek. ... nur Thermodirekt
Max. Druckbreite Betriebsarten	104.0 mm kontinuierlich, spenden, schneiden (Schneiden und spenden nur, wenn die entspr. Option installiert ist.)
Anzeigen Abmessungen Gewicht Barcode-Formate	LCD-Display (1zeilig mit 16 Zeichen), 3 LED's 291 mm (B) x 460 mm (T) x 308 mm (H) 17 kg JAN8, EAN8, JAN13, EAN13, UPC-A, UPC-B EAN8, EAN13, UPC-A, UPC-E + 2digit EAN8, EAN13, UPC-A, UPC-E + 5digit NW-7 CODE39 (STANDARD) CODE39 (FULL ASCII) ITF MSI CODE93 CODE128 EAN128 Data Matrix PDF417 QR Code industrial 2 of 5 Customer Bar Code POSTNET RM4SCC (ROYAL MAIL 4STATE CUSTOMERCODE) KIX CODE Maxi Code Micro PDF417
Schriftarten	Times Roman (6 Arten), Helvetica (6 Arten), Presentation (1), Letter Gothic (1), Prestige Elite (2 Arten), Courier (2 Arten), OCR (2 Arten), Writable Characters (2-Byte Zeichen verfügbar), Outline Font (4 Typen), Preis-Font (3 Typen)
Drehung Schnittstellen Standard	0°, 90°, 180°, 270° (Zeichen und Barcodes) Serielle Schnittstelle (RS-232C) Parallele Schnittstelle (Centronics)
Optional	Start-Stopp-Schnittstelle PCMCIA-Karten-Schnittstelle

2.2 Optionen

Bezeichnung	Modellname	Anwendung	Source
Schwingmesser	B-4205-QM	Stopp und Schnitt	Hinweis
Rotationsmesser	B-8204-QM	Rotationsschnitt ohne Stopp	
Spendemodul	B-4905-H-QM	Löst das Etikett vom Trägermaterial.	
Papierführung Leporello	B-4905-FF-QM	Papierführung für Leporello Material	
PCMCIA Schnittstelle	B-8700-PC-QM	Dieses Board ermöglicht die Nutzung folgender PCMCIA Karten. <ul style="list-style-type: none"> • LAN-Karte: 3 COM EtherLink®III (empfohlen) 3 COM 3CCE589ET (empfohlen) • ATA-Karte: PC zum ATA-Standard • Flash Memory Karte: 1 oder 4MB Karte (siehe Seite 7-1) 	
Start-Stopp-Schnittstelle	B-8700-IO-QM	Dieses Board erlaubt es, den Drucker über eine externe Steuerung anzusteuern.	

HINWEIS: Bitte wenden Sie sich an ihren nächsten TOSHIBA TEC Fachhändler:

2.3 Farbband

Typ	Rolle
Breite	68 mm ~ 112 mm
Länge	600 m
Außendurchmes.	ø90 mm (max.)

- HINWEISE:**
1. "On the Fly" Drucken heißt, daß der Drucker während des Drucks bereits das folgende Etikett im Speicher aufbereitet und druckt, ohne anzuhalten.
 2. Um beste Druckqualität und lange Lebensdauer des Druckkopfes sicherzustellen, empfehlen wir den ausschließlichen Gebrauch von Original TOSHIBA TEC Farbbändern und TOSHIBA TEC geprüften Papieren.
 3. Im Schneidemodus bitte nur Etiketten verwenden, deren Etikettenlänge \textcircled{B} plus einer halben Zwischenraumlänge \textcircled{E} größer 35 mm sind. (siehe Seite 2-3.)
 4. Wenn das Etikett auf dem internen Aufwickler gewickelt wird, sollte der max. Außenrollendurchmesser 180 mm betragen.
 5. Es besteht die Möglichkeit, wenn Sie ein rauhes Etikett oder ein Kartonmaterial mit Farbbandoptimierung einsetzen, daß es zu einem schlechten Druckergebnis kommen kann.

2.4 Papier

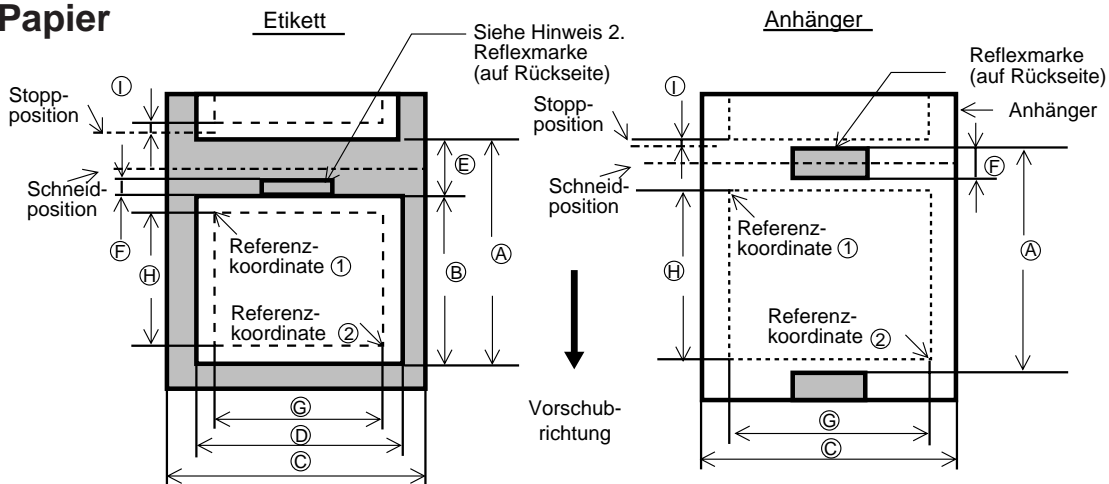


Abb. 2-1

[Einheit: mm]

Item	Betriebsart		kontinuierlich	spenden	schneiden		
					Rotationsmesser		Schwingmesser
					Druckkopf hoch ist AUS	Druckkopf hoch ist EIN	
A: Abstand Etikett zu Anhänger	Etikett	Min.	10.0	25.4	3"/Sek.:94.0	3"/Sek.:38.0	38.0
					4"/Sek.:98.0	4"/Sek.:38.0	
		5"/Sek.:102.0			5"/Sek.:38.0		
		8"/Sek.:113.0			8"/Sek.:38.0		
	Max.		2730.0				
	Anhänger	Min.	10.0	-	3"/Sek.:30.0		25.4
					4"/Sek.:30.0		
		5"/Sek.:30.0					
8"/Sek.:38.0							
Max.		2730.0					
B: Etikettenlänge	Min.	8.0	23.4	3"/Sek.:81.0(*1)	3"/Sek.:25.0	25.0 (*5)	
				4"/Sek.:85.0(*2)	4"/Sek.:25.0		
				5"/Sek.:89.0(*3)	5"/Sek.:25.0		
				8"/Sek.:100.0(*4)	8"/Sek.:25.0		
Max.		2728.0		2724.0			
C: Breite des Trägerpapiers/Anhängers	Min.	50.8					
	Max.	112.0					
D: Etikettenbreite	Min.	47.8					
	Max.	109.0					
E: Zwischenraum	Min.	2.0		6.0			
	Max.	20.0					
F: Länge der Reflexmarke (Anhänger)	Min.	2.0					
	Max.	10.0					
G: Effektive Druckbreite	Min.	10.0					
	Max.	104.0 ± 0.2					
H: Effektive Drucklänge	Etikett	Min.	6.0	21.4	3"/Sek.:79.0	3"/Sek.:23.0	23.0
					4"/Sek.:83.0	4"/Sek.:23.0	
		5"/Sek.:87.0			5"/Sek.:23.0		
		8"/Sek.:98.0			8"/Sek.:23.0		
	Max.		2726.0				
	Anhänger	Min.	8.0	-	3"/Sek.:28.0		23.0
					4"/Sek.:28.0		
		5"/Sek.:28.0					
8"/Sek.:36.0							
Max.		2726.0					
I: Print speed up/down		1.0					
Stärke	Etikett	Min. 130 µm, Max. 170 µm					
	Anhänger	Min. 150 µm, Max. 290 µm					
Max. Drucklänge für "On the Fly" Druck		1361.0					
Rolleneußendurchmesser		ø 200 Max.					

HINWEISE: 1. Alle weiteren Verbrauchsmaterial-Spezifikationen sind unverändert.

2. Die Etikettenlänge muß folgenden Anforderungen entsprechen.

- 1) Bei Etikettendruck und Schneiden mit dem Rotationsmesser mit einer Druckgeschwindigkeit von 3"/Sek.: Effektive Etikettenlänge 91.0 mm - (Ausstanzung 2 mm) oder mehr
- 2) Bei Etikettendruck und Schneiden mit dem Rotationsmesser mit einer Druckgeschwindigkeit von 4"/Sek.: Effektive Etikettenlänge 95.0 mm - (Ausstanzung 2 mm) oder mehr
- 3) Bei Etikettendruck und Schneiden mit dem Rotationsmesser mit einer Druckgeschwindigkeit von 5"/Sek.: Effektive Etikettenlänge 99.0 mm - (Ausstanzung 2 mm) oder mehr
- 4) Bei Etikettendruck und Schneiden mit dem Rotationsmesser mit einer Druckgeschwindigkeit von 8"/Sek.: Effektive Etikettenlänge 110.0 mm - (Ausstanzung 2 mm) oder mehr
- 5) Bei Etikettendruck und Schneiden mit dem Schwingmesser Effektive Etikettenlänge 35.0 mm - (Ausstanzung 2 mm)

3. ÜBERBLICK

3.1 Vorder- / Rückseite

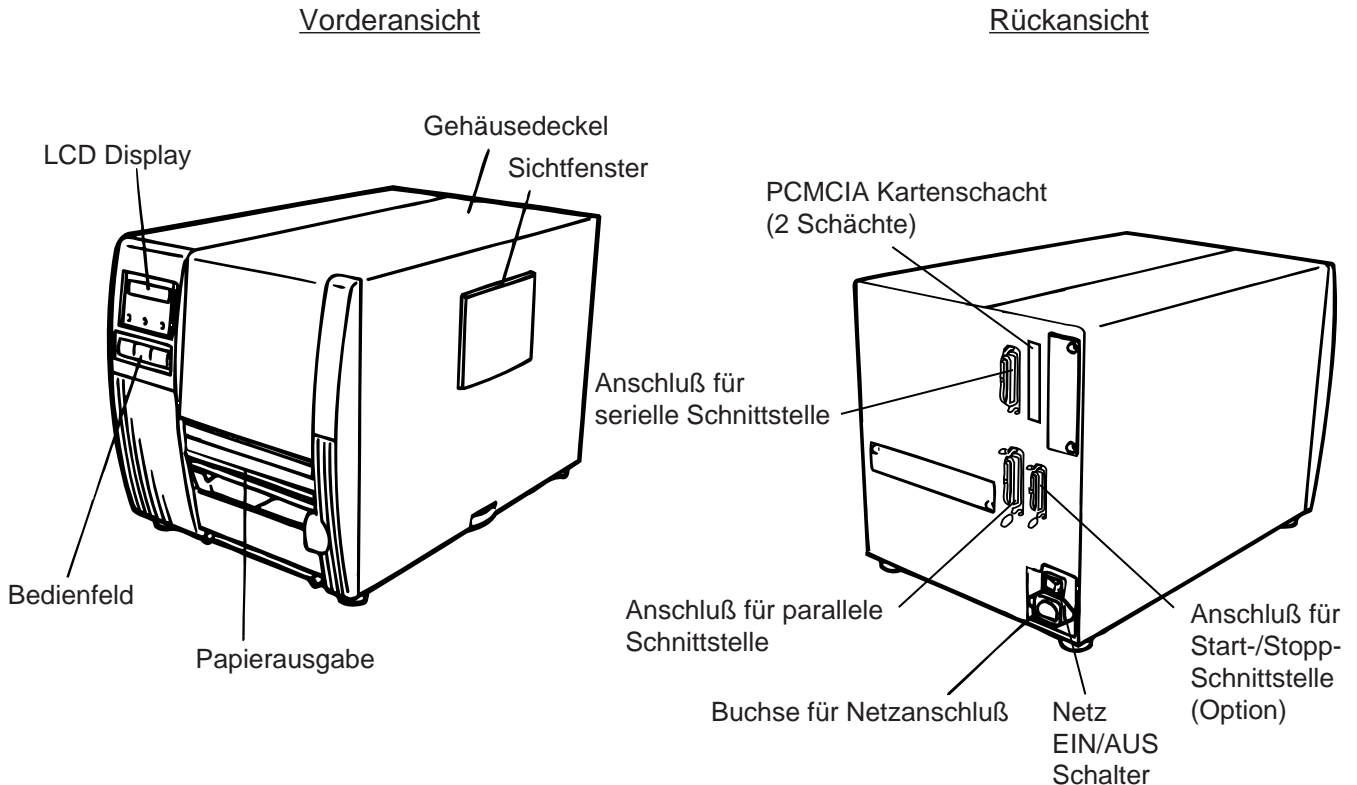


Abb. 3-1

3.2 Bedienfeld

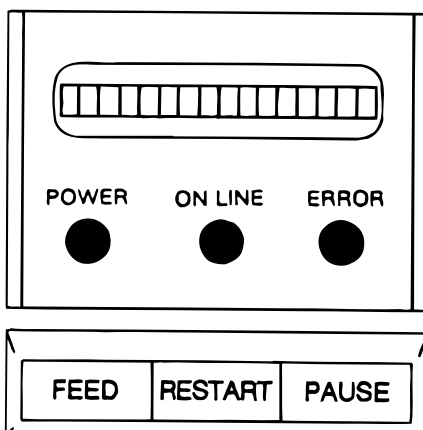


Abb. 3-2

LCD-DISPLAY

Zeigt nach Einschalten mit "ON LINE", daß der Drucker betriebsbereit ist.

POWER LED (grün)

Ist immer an, wenn der Drucker eingeschaltet ist.

ON LINE LED (grün)

1) Blinkt während der Kommunikation.

2) Ist an während des Drucks.

ERROR LED (rot)

Zeigt an, daß ein Fehler, z.B. Papierende, Farbbandende, Übertragungsfehler etc., aufgetreten ist. Weitere Information steht dann im LCD-Display.

FEED Taste

Papiervorschub

RESTART Taste

Hebt Fehler-oder Pausezustand auf. Wird ebenfalls bei Einstellung für vorgedrucktes Papier benötigt.

(siehe hierzu Seite 9-4)

PAUSE Taste

Unterbricht den Druck. Im LCD Display erscheint "PAUSE" sowie die Anzahl der noch zu druckenden Etiketten. Wird ebenfalls bei Einstellung für vorgedrucktes Papier benötigt.

(s. hierzu Seite 9-4)

4. INSTALLATION DES DRUCKERS

4.1 Anschluss der Kabel

ACHTUNG:

Den Netzschalter auf "AUS" = "0" stellen, bevor Sie Netzkabel oder andere Kabel einstecken.

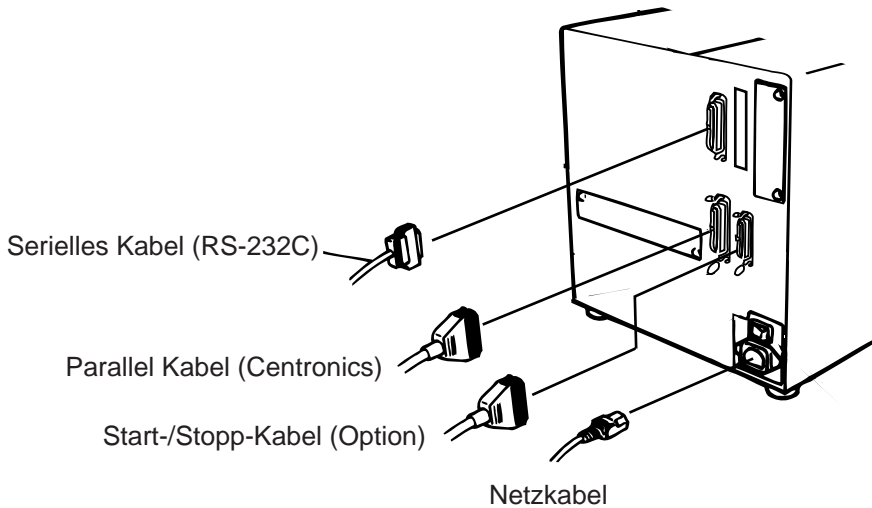


Abb. 4-1

4.2 Lüfterfilter installieren

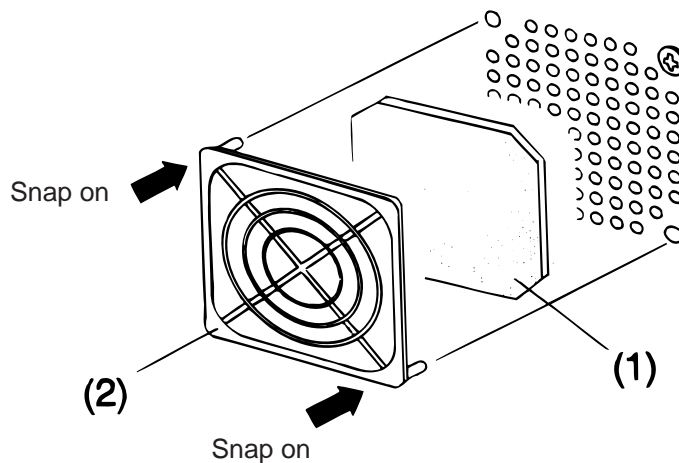


Abb. 4-2

Stellen Sie sicher, daß vor Gebrauch des Druckers der Filter installiert wird.

Der Lüfterfilter besteht aus 2 Teilen:

- (1) Filtermatte
- (2) Filterträger

Zur Installation legen Sie die Filtermatte einfach in den Filterträger und fixieren Sie diesen, wie in der Abbildung zu sehen, vor dem Lüfter.

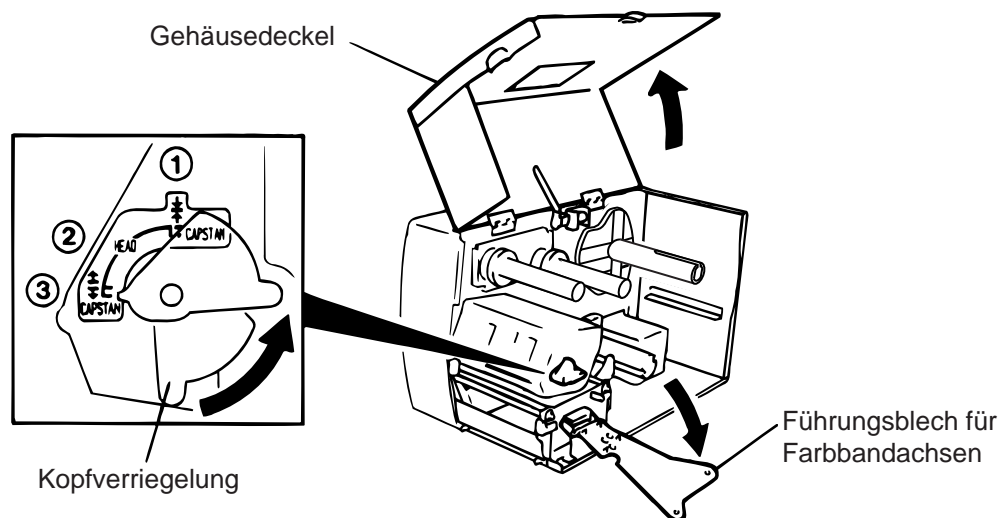
5. EINSETZEN DES PAPIERS

ACHTUNG!

1. Fassen Sie keine beweglichen Teile an. Um zu verhindern, daß Finger, Schmuck, Kleidungsstücke oder ähnliches von den beweglichen Teilen erfaßt werden, schalten Sie das Gerät **IMMER** "AUS".
2. Greifen Sie **NIE** in den Drucker während des Öffnens oder Schließens, so vermeiden Sie Verletzungen.

Der Drucker druckt sowohl Etiketten wie auch Karton (z.B. Warenanhänger).

1. Drucker ausschalten und Gehäusedeckel öffnen.
2. Durch Drehen der Kopfverriegelung nach links (auf Position ③) den Kopf abklappen und das Führungsblech für die Farbband-Achsen lösen.

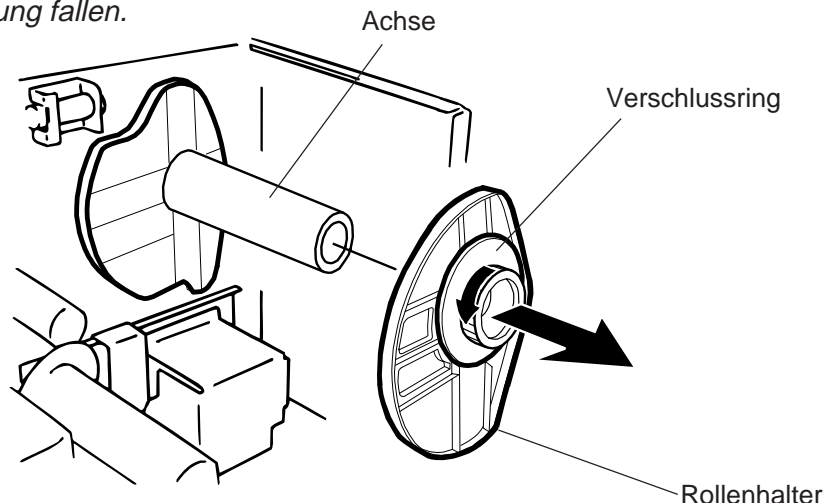


Add. 5-1

- HINWEISE:**
1. Die Kopfverriegelung hat 3 Positionen. In der Position ② wird nur der Kopf angehoben.
 2. Wenn die Kopfverriegelung ganz nach links (Pos. ③) gedreht wird, wird zusätzlich die Papierdruckrolle angehoben.
 3. Während des Drucks muß die Kopfverriegelung auf Position ① stehen. Nur dann sind Kopf und Papierdruckrolle in der richtigen Position.

3. Drehen Sie den Verschlussring entgegengesetzt dem Uhrzeigersinn und ziehen Sie den Rollenhalter vom Schaft herunter.

HINWEIS: Drehen Sie die Feststellschrauben nicht zu weit nach links, da sie ansonsten aus der Papierhalterung fallen.



Add. 5-2

4. Schieben Sie nun die Materialrolle auf die Achse.
5. Führen Sie das Material über die Führungsschiene und ziehen Sie dann das Material bis zur Vorderkante des Druckers. Setzen Sie jetzt den anderen Rollenhalter auf die Achse, um die Rolle zu fixieren.
6. Schieben Sie den Rollenhalter mit der Führungsnase auf die Nut des Schaftes bis zum Anschlag an das Papier. Drehen Sie zum sichern des Papiers den Rollenhalter im Uhrzeigersinn. Das Papier wird automatisch in zentriert ausgerichtet.

HINWEIS: Überdrehen Sie nicht den Verschlussring des Rollenhalters.

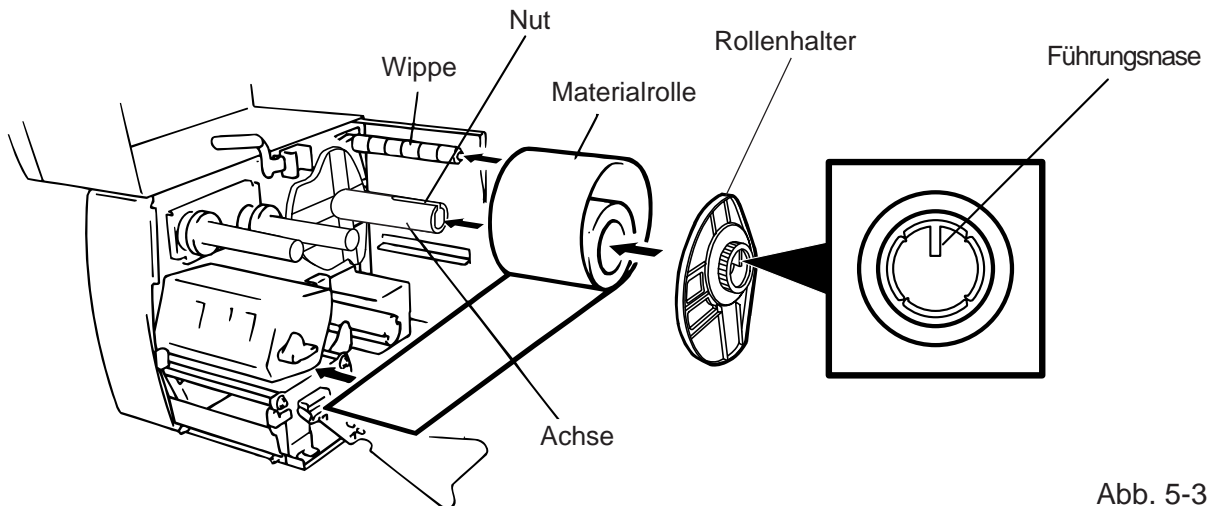


Abb. 5-3

7. Führen Sie das Material durch Papierhalterungen der Papierführung, justieren Sie die Papierführung und fixieren Sie die Position mit der Feststellschraube.
8. Prüfen Sie, ob das Material nun gerade durch den Drucker läuft. Das Papier soll sich immer in der Mitte des Druckkopfes befinden.

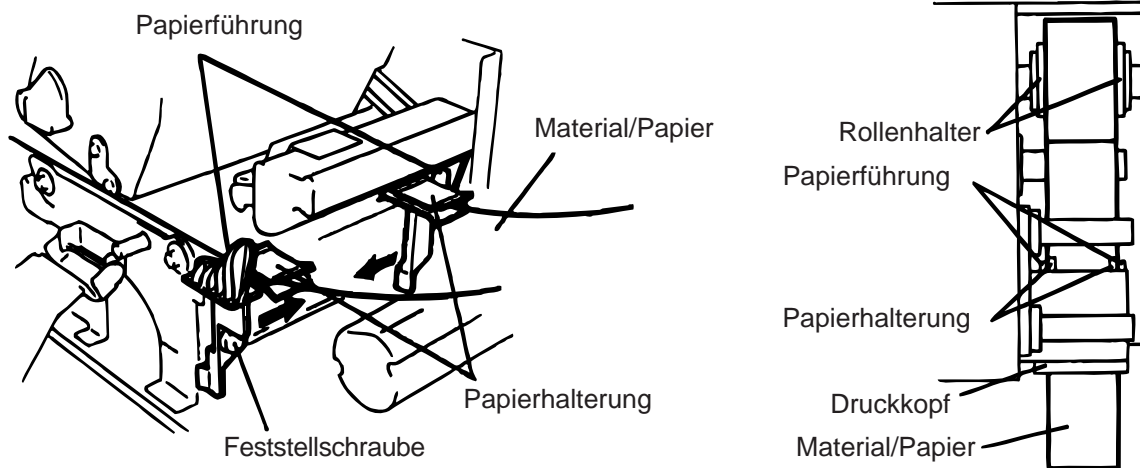


Abb. 5-4

HINWEIS: Wenn Sie Etikettenrollen mit Außenwicklung verwenden, entfernen Sie bitte die oberen Platten beider Papierhalterungen wie nachfolgend beschrieben. Falls Sie dies nicht tun, kann ein Papierstau auftreten.

Sollten Sie irgendwelche Fragen haben, nehmen Sie bitte mit Ihrem TOSHIBA TEC Fachhändler Kontakt auf.

■ Entfernung der oberen Platten der Papierhalterung von der Papierführung

- ① Entfernen Sie die zwei T-4x8 Schrauben, um die Papierführung vom Drucker zu lösen.

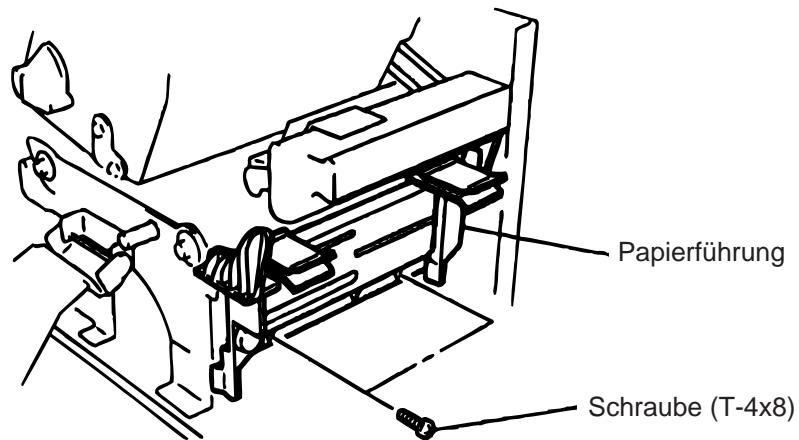


Abb. 5-5

- ② Entfernen Sie die Schraube SM-3x6 bzw. die Schraube SM-3x8, um die oberen Platten der Papierhalterung von der Papierführung zu lösen.

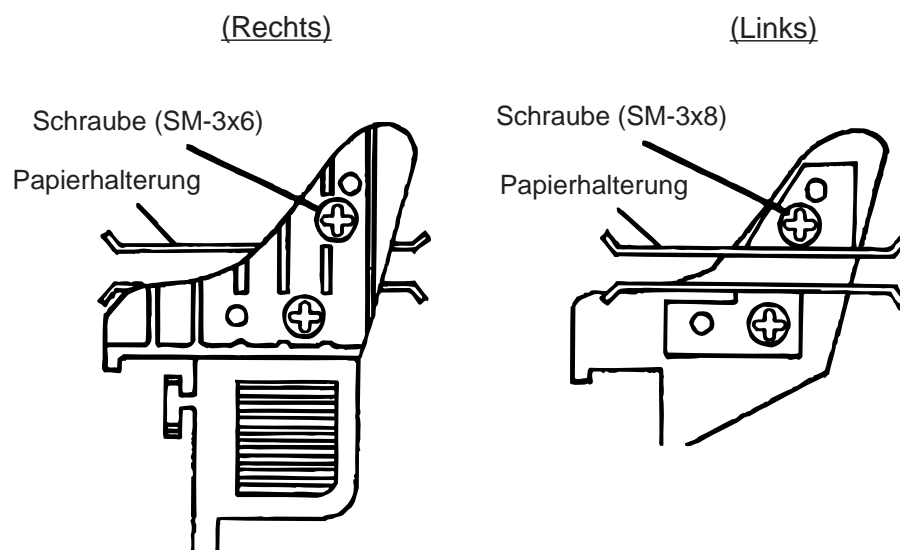


Abb. 5-6

- ③ Befestigen Sie die Papierführung wieder an der alten Position.

HINWEIS: Heben Sie die entfernten oberen Papierhalterungsplatten auf, da sie benötigt werden, wenn Etikettenrollen mit Innenwicklung benutzt werden.

9. Positionieren Sie jetzt den Reflexmarken-/Durchleuchtungs-Sensor durch Drehen des Einstellknopfes.

■ Einfache Positionierung des Reflexmarkensensors

- ① Ziehen Sie das Material zunächst ca. 500 mm aus dem Drucker und führen es mit der Unterseite nach oben unter dem Kopf zurück, bis Sie eine Reflexmarke sehen können.
- ② Justieren Sie nun den Reflexmarkensensor auf die Mitte der Marke (das hintere Loch zeigt die exakte Position des Sensors).

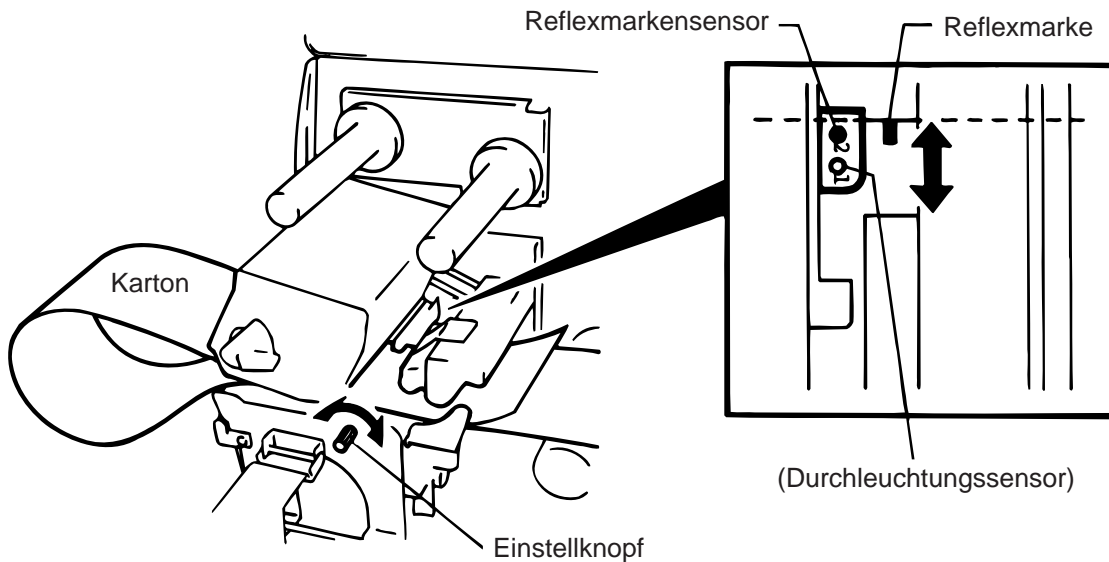


Abb. 5-7

HINWEIS: Wenn der Sensor nicht richtig positioniert ist, kann dies zur Fehleranzeige "Papierstau" führen.

■ Positionierung des Durchleuchtungssensors

- ① Positionieren Sie den Durchleuchtungssensor auf die Ausstanzung (das vordere Loch zeigt die exakte Position des Durchleuchtungssensors).

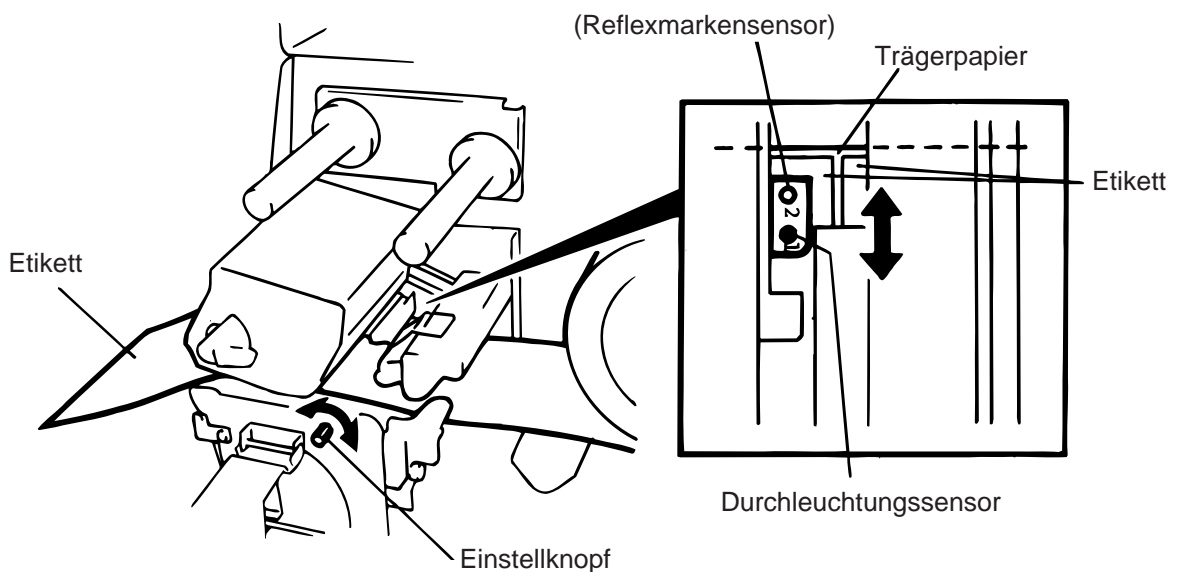


Abb. 5-8

10. Das Material ist nun richtig eingesetzt und der Sensor in Position.

Für kontinuierlichen Druck

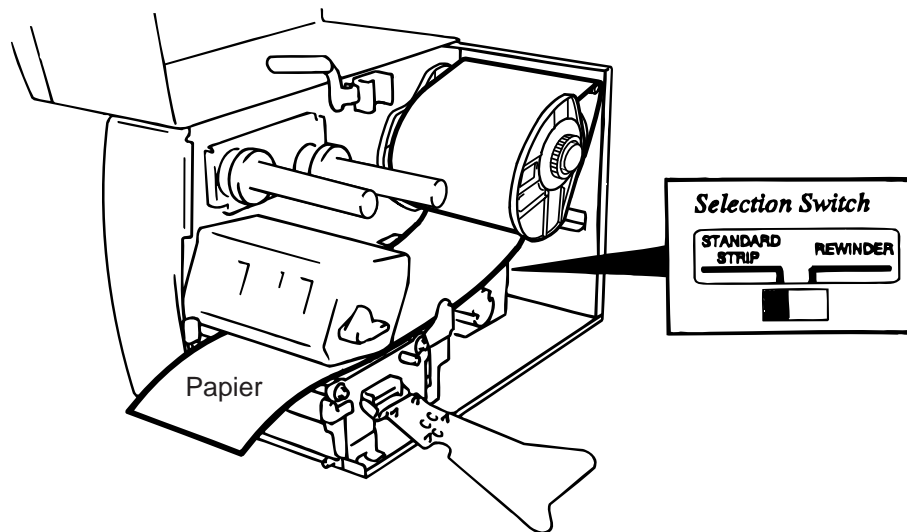


Abb. 5-9

HINWEIS: Setzen Sie den Selektionsschalter auf STANDARD/STRIP Position. Falsches Einschalten kann die Druckqualität beeinflussen.

Für Spendebetrieb:

- ① Etiketten vom Trägermaterial entfernen (ca. 50 cm).
- ② Trägermaterial nach hinten führen und um den internen Aufwickler legen. Mit der Klammer befestigen. (Der Aufwickler dreht sich entgegen dem Uhrzeigersinn).
- ③ Bewegen Sie den Aufwickler entgegen dem Uhrzeigersinn, um das Trägerpapier zu straffen.

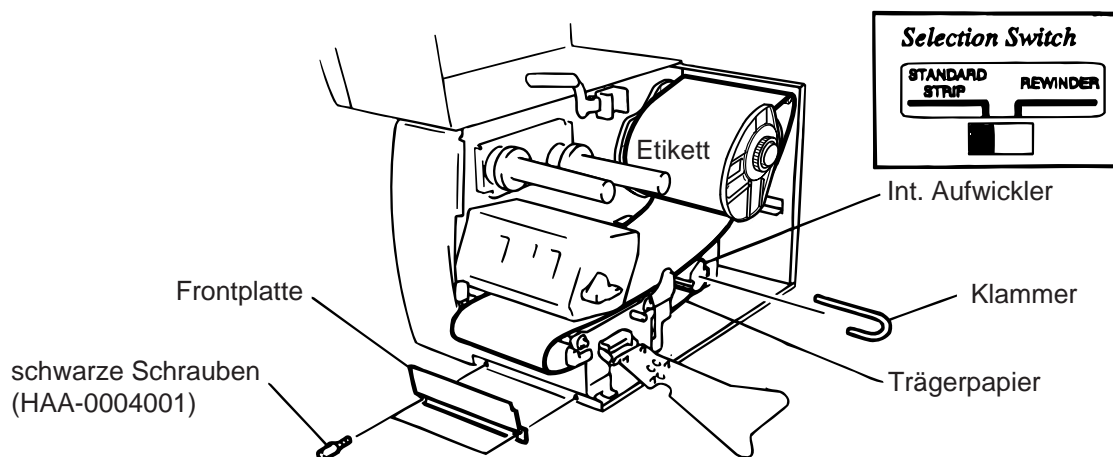


Abb. 5-10

HINWEISE: 1. Am einfachsten können Sie das Trägerpapier einlegen, wenn Sie vorher die Frontplatte abnehmen.

2. Die lange Seite der Klammer gehört in die tiefere Nut.

3. Setzen Sie den Selektionsschalter auf STANDARD/STRIP Position.

Für Betrieb mit Messer: Ist ein Schneidemodul installiert legen Sie Ihr Etikettenmaterial standardmäßig ein und schieben Sie es zusätzlich durch das Messer. Schwingmesser und Rotationsmesser sind als Zubehör erhältlich. Das Vorgehen bei beiden Messereinheiten ist gleich. Anhand des Schwingmessers wird das Einlegen des Etikettenmaterials gezeigt.

- HINWEISE:**
1. Bitte nur das Trägermaterial des Etiketts schneiden. Beim Schneiden der Etiketten kann sich Klebematerial auf dem Messer festsetzen. Dies beeinträchtigt die Qualität des Messers und verkürzt die Haltbarkeit des Messers.
 2. Wickelt sich im Schneidemodus Ihr Etikettenmaterial um die Druckwalze informieren Sie bitte Ihren TOSHIBA TEC Fachhändler.
 3. Für den Betrieb mit Messer kann der Selektionsschalter auf jeder Position eingestellt sein.

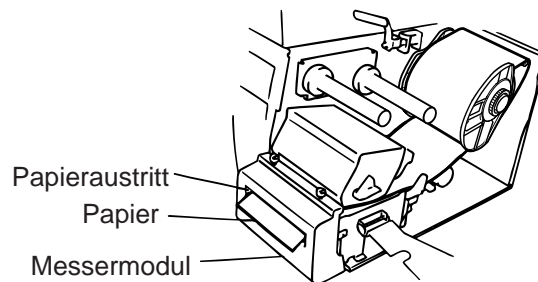


Abb. 5-11

Für kontinuierlichen Druck und gleichzeitige Nutzung des internen Aufwicklers:

- ① Die 2 schwarzen Schrauben und die Frontplatte entfernen.
- ② Befestigen Sie die linke Seite des Aufwickel-Führungsbleches an der Spendecke und befestigen Sie es mit den 2 Schrauben.

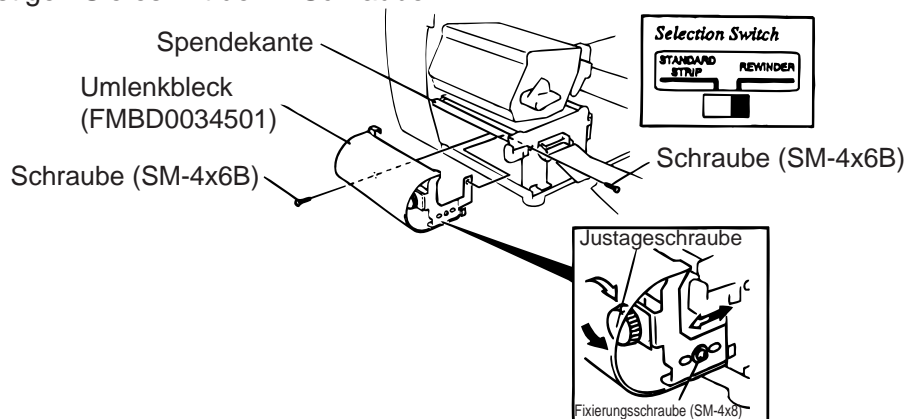


Abb. 5-12

HINWEIS: Setzen Sie den Selektionsschalter auf REWINDER Position.

- ③ Papier zum Aufwickler führen und befestigen, wie unter Punkt 2 + 3 beim Spendebetrieb beschrieben.
- ④ Einstellung

Wird das Etikett auf den internen Aufwickler schief aufgewickelt, so stellen Sie das Umlenkblech mit der Justageschraube für den internen Aufwickler so ein, daß die Etikettenbahn gleichmäßig angelehnt umgelenkt wird. Drehen Sie die Justageschraube im Uhrzeigersinn so bewegt sich das Umlenkblech nach vorn, entgegen dem Uhrzeigersinn nach hinten.

* Etikett zieht nach rechts:

Lösen Sie die Fixierungsschraube SM-4x8. Drehen Sie die Justageschraube im Uhrzeigersinn bis sich eine gleichmäßige Anlehnung der Etikettenbahn an das Umlenkblech eingestellt hat.

Ziehen Sie nun die Fixierungsschraube SM-4x8 wieder fest.

* Etikett zieht nach links:

Lösen Sie die Fixierungsschraube SM-4x8. Drehen Sie die Justageschraube entgegen dem Uhrzeigersinn bis sich eine gleichmäßige Anlehnung der Etikettenbahn an das Umlenkblech eingestellt hat. Ziehen Sie nun die Fixierungsschraube SM-4x8 wieder fest.

6. EINSETZEN DES FARBBANDES

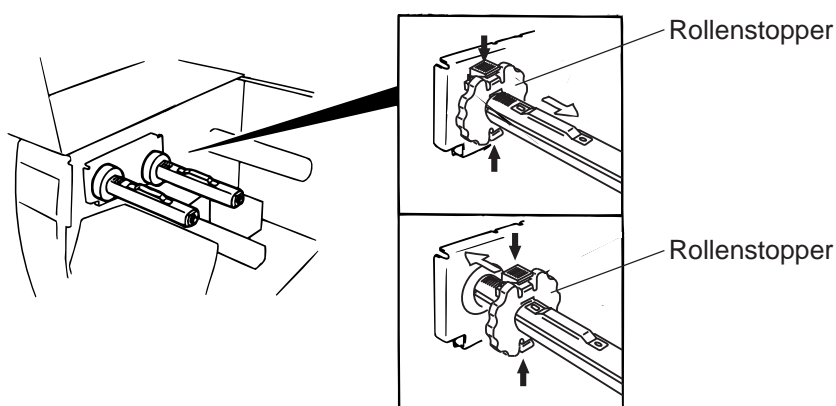
ACHTUNG:

1. Fassen Sie keine beweglichen Teile an. Um zu verhindern, daß Finger, Schmuck, Kleidungsstücke oder ähnliches von den beweglichen Teilen erfaßt werden, schalten Sie das Gerät **IMMER** "AUS".
2. Greifen Sie **NIE** in den Drucker während des Öffnens oder Schließens, so vermeiden Sie Verletzungen.

Dieser Drucker kann als Thermodrucker und als Thermotransfer-Drucker genutzt werden. Beim Betrieb als Thermodrucker ist das Papier chemisch behandelt, und es darf **kein Farbband** eingesetzt werden.

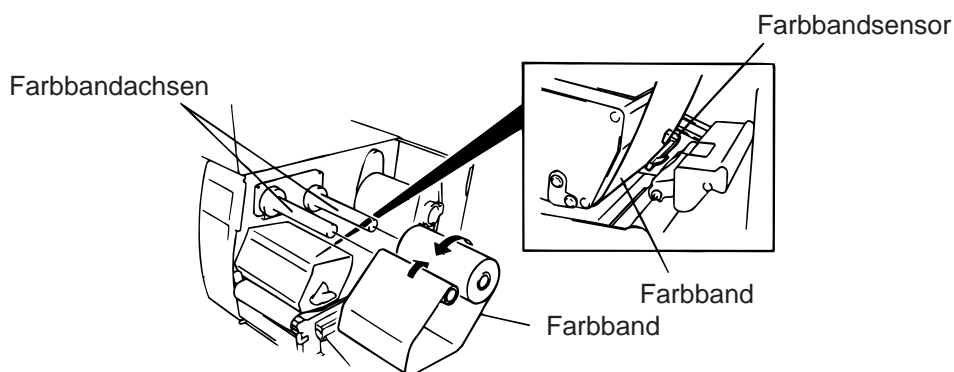
1. Bei Einsatz eines schmalen Farbbandes sind die Rollenstopper so weit auf den Achsen zu verschieben, daß das Farbband zentriert ist. Wenn ein breiteres Farbband verwendet wird, sind die Rollenstopper um 90° zu drehen und entsprechend der Breite des Farbbandes zu verschieben. Zum Fixieren wieder um 90° drehen.

HINWEIS: Wenn Sie die Rollenstopper einmal abgehakt haben, so achten Sie beim Einsetzen auf den richtigen Sitz.



Add. 6-1

2. Setzen Sie nun das Farbband ein. Es soll hierbei nicht gestrafft sein. Achten Sie darauf, daß das Farbband über dem Sensor liegt.
3. Straffen Sie das Farbband, indem Sie beide Farbbandachsen aufeinander zu drehen.



Add. 6-2

4. Beim fixieren des Führungsbleches auf den richtigen Sitz an den Farbbandachsen achten.
5. Fixieren Sie den Knopf durch Drehen der Kopfverriegelung im Uhrzeigersinn.
6. Schließen Sie das Gehäuse.

7. EINSETZEN DES ZUBEHÖRS PCMCIA KARTE

ACHTUNG!

Schalten Sie den Drucker aus bevor Sie die PCMCIA Karte einstecken oder heraus ziehen.

VORSICHT:

Zum Schutz der PCMCIA Karte, entladen Sie Ihre statische Ladung durch Berühren der Rückseite des Druckers bevor Sie die PCMCIA Karte anfassen.

1. Schalten Sie den Drucker aus.
2. Stecken Sie die PCMCIA Karte in den Kartenschacht auf der Rückseite des Druckers.
3. Schalten Sie den Drucker ein.

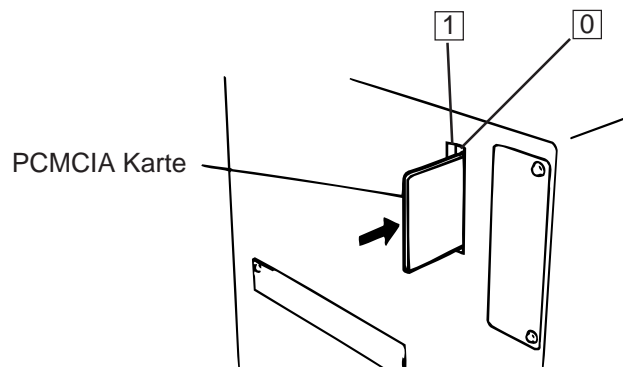


Abb. 7-1

- HINWEISE:**
1. Schützen Sie Ihre PCMCIA Karte durch eine Schutzhülle, wenn sich die Karte nicht im Drucker befindet.
 2. Setzen Sie die Karte keinen mechanischen Belastungen aus.
 3. Schützen Sie die Karte vor großer Hitze und direkter Sonneneinstrahlung.
 4. Die Karte keiner Feuchtigkeit aussetzen und nicht feucht reinigen.
 5. Der Drucker muß beim Einsetzen oder Herausnehmen der Karte immer ausgeschaltet sein.
 6. Die nachfolgend aufgeführten PCMCIA Karten können genutzt werden. (1MB-Karten können nur gelesen werden, 4MB können im Drucker beschrieben und gelesen werden.)

Kapazität	Hersteller	Typ	Karten Code	Hersteller Code
1M Byte	Maxell	EF-1M-TB AA	D0H	1CH
	Mitsubishi	MF81M1-GBDAT01		
4M Byte	Maxell	EF-4M-TB CC	88H	B0H
	Maxell	EF-4M-TB DC	ADH	04H
	Centennial Technologies INC.	FL04M-15-11119-03		01H
	INTEL	IMC004FLSA	A2H	89H
	Simple TECHNOLOGY	STI-FL/4A		
	Mitsubishi	MF84M1-G7DAT01		
	PC Card KING MAX	FJN-004M6C	A0H	89H
	PC Card	FJP-004M6R		

7. Installieren Sie die LAN-Schnittstelle in den Kartenschacht (1).

8. HINWEISE ZUM PAPIER UND FARBBAND

Verwenden Sie nur Materialien, die von TOSHIBA TEC zugelassen sind:

Dies ist wichtig, um Druckqualität, Kopflebensdauer und Lesbarkeit von Barcodes sicherzustellen. Die Verwendung von nicht zugelassenen Materialien kann die Lebensdauer des Kopfes wesentlich verkürzen und zu schlechten Druckergebnissen führen. Lagern Sie Ihr Material unter Berücksichtigung folgender Regeln:

- Beachten Sie die Herstellerangaben zur Lagerzeit.
- Lagern Sie die Rollen liegend (auf der flachen Seite).
- Lagern Sie die Rollen in Plastikbeuteln. Verschließen Sie den Beutel nach Entnahme der Rolle. Ungeschützt lagerndes Material kann verschmutzen und die Lebensdauer des Druckkopfes durch Staub und Schmutzpartikel wesentlich verkürzen.
- Das Material soll kühl und trocken gelagert werden. Direktes Sonnenlicht, Wärme, hohe Luftfeuchte, Staub oder Gas können die Lebensdauer des Materials wesentlich verkürzen oder es unbrauchbar machen.
- Benutzen Sie kein Thermopapier beim Thermodirekt-Druck, daß nicht die Spezifikationen Na⁺800 ppm, K⁺250 ppm und CL-500 ppm erfüllt.
- Vorbedruckte Etiketten in denen Tinte benutzt wurde, können die Lebensdauer des Druckkopfes verkürzen. Benutzen Sie keine vorbedruckten Etiketten, die die Substanzen carbonic calcium (CaCO₃) und kaolin (Al₂O₃, 2SiO₂, 2H₂O) enthalten.

Weitere Informationen erhalten Sie von Ihrem TOSHIBA TEC Händler oder Ihrem Etiketten-bzw. Farbbandlieferanten.

9. WARTUNG

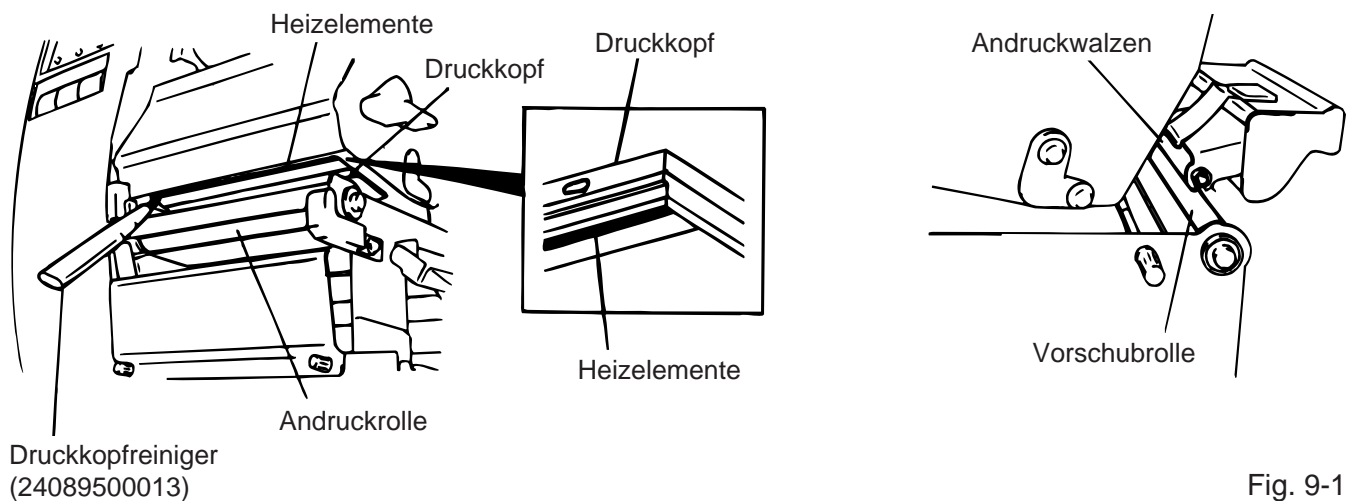
ACHTUNG!

1. *Vorsicht beim Umgang am Druckkopf, dieser kann sehr heiß werden.*
2. *Das Messer des Druckers ist sehr scharf, daher ist HÖCHSTE VORSICHT geboten, um Verletzungen zu vermeiden.*
3. *Fassen Sie keine beweglichen Teile an. Um zu verhindern, daß Finger, Schmuck, Kleidungsstücke oder ähnliches von den beweglichen Teilen erfaßt werden, schalten Sie das Gerät IMMER "AUS".*
4. *Greifen Sie NIE in den Drucker während des Öffnens oder Schließens, so vermeiden Sie Verletzungen.*

9.1 Reinigen

Durch regelmäßige Reinigung können Sie dazu beitragen, die hohe Qualität und Leistung dieses Druckers zu erhalten. Abhängig davon, wie stark der Drucker bei Ihnen zum Einsatz kommt, empfehlen wir, folgende Maßnahmen z.B. beim Wechseln des Farbbandes, täglich oder wöchentlich durchzuführen:

1. Drucker ausschalten und Netzkabel abziehen.
2. Gehäuse öffnen.
3. Druckkopf entriegeln.
4. Farbband und Papier entnehmen.
5. Die Heizelemente des Druckkopfes mit dem Druckkopfreiniger säubern.
6. Reinigen Sie die Andruckwalze, Andruckrolle und Vorschubrolle mit Alkohol. Entfernen Sie Staub aus dem Drucker.



ACHTUNG!

1. *Vor jeder Wartung muß das Netzkabel abgezogen werden.*
2. *Verwenden Sie zur Kopfreinigung niemals scharfe Gegenstände wie Schraubenzieher, Nagelfeilen, etc., sondern immer nur geeignete Reiniger wie von TOSHIBA TEC beziehbar.*
3. *Schütten Sie niemals Wasser auf den Drucker.*

9.2 Gehäuse

Reinigen Sie das Gehäuse mit einem trockenen Tuch. Bei starker Verschmutzung kann auch ein ausgewrongenes, feuchtes Tuch mit Reiniger (Pril, Dor, etc.) verwendet werden.

HINWEIS: Besonders geeignet sind handelsübliche Reiniger für Büromaschinen, die elektrostatische Aufladungen verhindern.

ACHTUNG!

1. KEIN WASSER auf den Drucker schütten.
2. Reinigungsmittel NIEMALS DIREKT auf den Drucker schütten.
3. NIEMALS Verdünner oder andere flüchtige Lösungsmittel zur Reinigung von Plastikteilen und Sichtfenster verwenden.
4. Plastikteile und Sichtfenster NICHT mit Alkohol reinigen, da dies zu Verfärbung, Verformung und Zerstörung führen kann.

9.3 Beseitigung eines Papierstaus

1. Drucker ausschalten.
2. Gehäuse öffnen.
3. Durch drehen der Kopfverriegelung nach links den Kopf abklappen und das Führungsblech für die Farbband-Achsen lösen.
4. Die Feststellschraube entfernen, um die Papierführungsplatte abzunehmen.
5. Farbband und Papier entnehmen.
6. Gestautes Papier entfernen. Hierbei NIEMALS Gegenstände verwenden, die Teile des Druckers beschädigen könnten (Schraubenzieher, Scheren, etc.).
7. Wartung wie unter 9.1 beschrieben durchführen.
8. Plazieren Sie Ihr Teil (B) der Papierführung auf dem Etikettensensor. Sichern Sie die Papierführung mit der Feststellschraube.

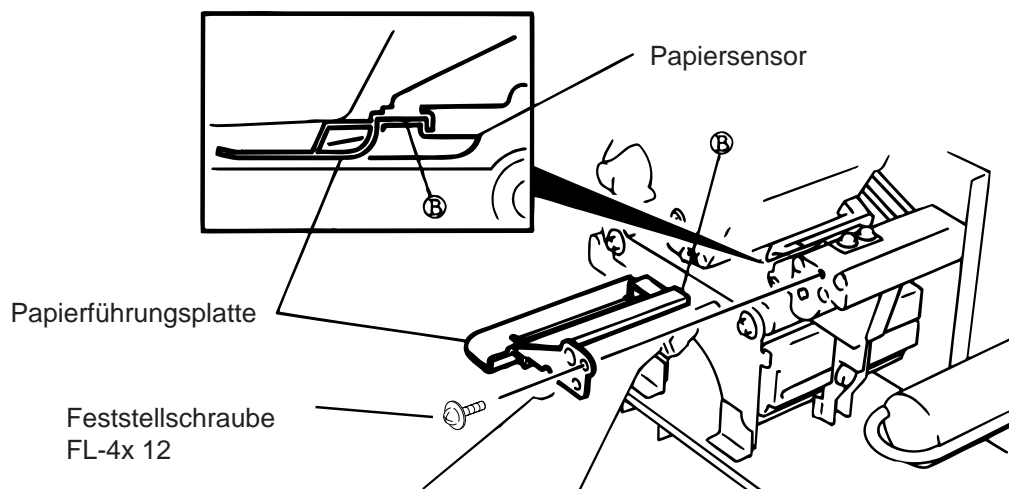


Abb. 9-2

9. Ein Papierstau im Messer kann durch aufgetretenen Kleber verursacht worden sein. Verwenden Sie daher nur zugelassene Qualitäten entsprechend den TOSHIBA TEC Standards. Tritt dennoch häufiger ein Papierstau im Messer auf, so informieren Sie Ihren zuständigen TOSHIBA TEC Händler.

■ Reinigung des Messers

ACHTUNG!

1. Der Drucker muß ausgeschaltet sein.
2. Das Messer ist sehr scharf, daher ist bei der Reinigung **HÖCHSTE VORSICHT** geboten, um Verletzungen zu vermeiden.

Schwing und Rotationsmesser sind als Zubehör erhältlich. Beide Messereinheiten werden auf die gleiche Art gereinigt. Anhand des Schwingmessers wird die Reinigung der Messereinheit gezeigt.

1. Die zwei Gehäuseschrauben lösen und Messergehäuse abnehmen.
2. Weiße Schraube lösen und Papierführung entfernen.
3. Gestautes Papier, Staub und Schneidrückstände entfernen.
4. Messer mit einem trockenen Tuch reinigen.

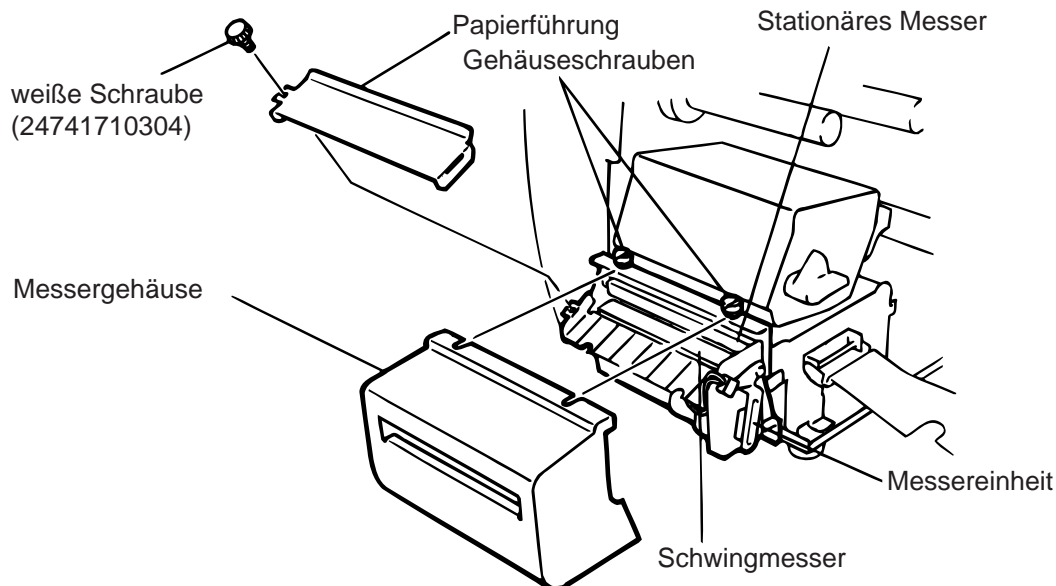


Abb. 9-3

5. Zusammenbau in umgekehrter Reihenfolge.

■ Automatische Farbbandoptimierung

Die automatische Farbbandoptimierung ist aktiv, wenn kein Druckbereich 17 mm überschreitet. Bei Fragen zu dieser Funktion wenden Sie sich bitte an Ihren nächsten Fachhändler.

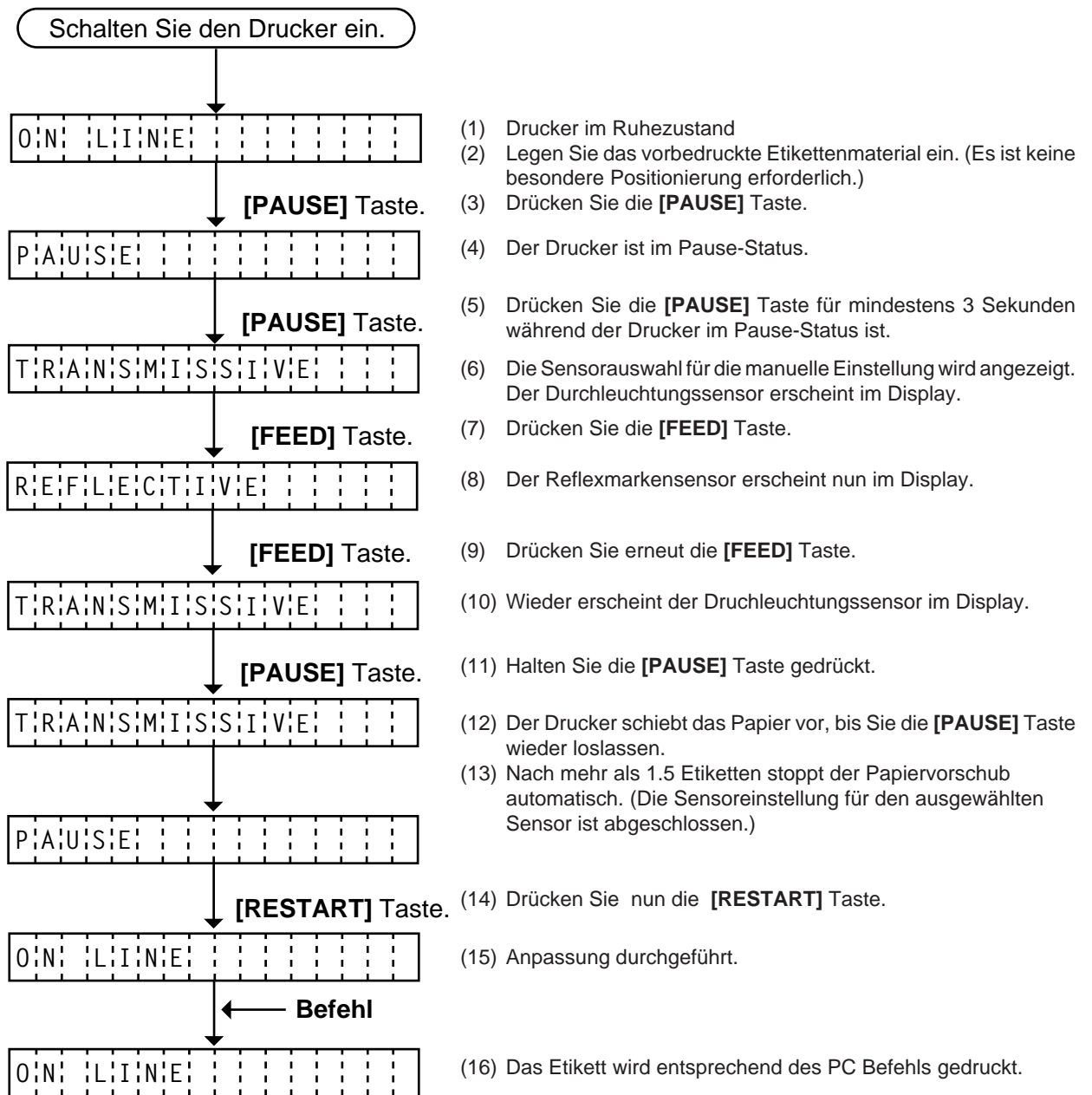
HINWEIS: *Bedingt durch die Relation zwischen Außendurchmesser und der Druckgeschwindigkeit, variiert der Farbbandverlust zur Farbbandeinsparung wie in der unteren Tabelle aufgeführt.*

Druckgeschwindigkeit	Farbbandverlust
3"/Sek.	Ca. 5 mm
5"/Sek.	Ca. 8 mm
8"/Sek.	Ca. 17 mm

9.4 Sensoranpassung für vorgedruckte Etiketten

Der Durchleuchtungssensor misst die Menge des Lichts, die durch das Papier geht, und erkennt beim Etikettzwischenraum, daß ein neues Etikett beginnt. Hierdurch ist es möglich, von Etikett zu Etikett die Druckposition konstant zu halten. Vorgesdruckte Etiketten können diese Synchronisation stören und zu Fehlern ("Papierstau") führen. Beim Auftreten von "Papierstau" oder Falschpositionierung des Drucks gehen Sie bitte wie folgt vor:

■ Sensoranpassung



< Ergänzende Erläuterung >

- (1) Wird die **[PAUSE]** Taste weniger als 3 Sekunden im Pause-Status gedrückt, wird die Eingabe ungültig.
- (2) Ist die Sensoreinstellung erfolgt, sollte ein Papiervorschub von 1.5 Etiketten erfolgen. (Ist der Papiervorschub geringer, ist unter Umständen die Programmierung der Sensoreinstellung nicht korrekt. In diesem Fall ist eine Wiederholung der Sensoreinstellung erforderlich.)
- (3) Wird die **[PAUSE]** Taste für mindestens 3 Sekunden gedrückt, wenn der Kopf oben ist, ist die **[PAUSE]** Taste nicht aktiv.
- (4) Während des Papiervorschubs wird ein Fehler inklusive Papierende, Farbbandende oder Messerfehler nicht erkannt.

10. FEHLERBEHEBUNG

ACHTUNG!

Wenn mit den nachfolgend beschriebenen Maßnahmen ein Fehler nicht beseitigt werden kann, so schalten Sie den Drucker aus, ziehen das Netzkabel ab und nehmen Sie bitte Kontakt mit Ihrem zuständigen TOSHIBA TEC-Händler auf. Versuchen Sie nicht, den Drucker selbst zu reparieren.

Fehlermeldung	Ursache	Lösung
PAPIERSTAU ****	<ol style="list-style-type: none"> Papier ist nicht richtig eingelegt. Papierstau im Drucker. Das verwendete Papier stimmt nicht mit dem ausgewählten Sensor überein. Die Reflexmarke auf dem Karton stimmt nicht mit der Sensorposition überein. Die tatsächliche Länge des Etiketts/Anhängers stimmt nicht mit der programmierten überein. Vorgedruckte Etiketten 	<ol style="list-style-type: none"> Papier richtig einlegen. → Taste [RESTART] drücken. Papierstau entfernen und unbeschädigtes Papier richtig einlegen. → Taste [RESTART] drücken. Drucker aus- und einschalten. → Per Programm den richtigen Sensor auswählen. → Taste [FEED] drücken. Sensor richtig positionieren. → Taste [FEED] drücken. Drucker aus- und einschalten. → Per Programm die richtige Länge setzen. → Taste [FEED] drücken. Nehmen Sie die Sensor-Anpassung für vorgedruckte Etiketten vor, wie unter 9-4 beschrieben.
KOPF OFFEN ****	Wenn der Kopf nicht verriegelt wurde, kann weder gedruckt noch vorgeschoben werden.	Verriegeln Sie den Kopf. → Taste [RESTART] drücken.
PAPIERENDE ****	Das Ende der Vorratsrolle ist erreicht.	Neues Material einlegen. → Taste [RESTART] drücken.
FARBB.-ENDE ****	Das Ende des Farbbandes ist erreicht.	Neues Farbband einlegen. → Taste [RESTART] drücken.
AUFWI. VOLL ****	Der interne Aufwickler ist voll.	Aufgewickeltes Papier entnehmen. → Taste [RESTART] drücken.
KOPF UEBERHITZT	Der Druckkopf wurde zu heiß.	Drucker ausschalten und abkühlen lassen.
FB-FEHLER ****	Der Farbbandsensor weist einen Defekt auf.	Drucker ausschalten und mit dem zuständigen TOSHIBA TEC Händler Kontakt aufnehmen.

Error Message	Problem	Solution
MESSERFEHL. ****	Papierstau im Messer	Gestautes Material entfernen und Material wieder einlegen. → Taste [RESTART] drücken.
FLASH FEHLER	Fehler beim Beschreiben der Flash Memory Karte oder ATA Karte	1. Drucker aus-und einschalten und erneut versuchen. 2. Eine andere Karte versuchen. 3. Kundendienst anfordern.
FORMATFEHLER	Fehler beim Formatieren der Flash Memory Karte oder ATA Karte.	1. Drucker aus-und einschalten und erneut versuchen. 2. Eine andere Karte versuchen. 3. Kundendienst anfordern
FLASH ZU KLEIN	Die max. Kapazität der Speicherkarte wurde erreicht.	Tauschen Sie die Flash Memory Karte aus. Senden Sie alle Daten erneut auf die neu eingesteckte Flash Memory Karte. (Im Fall der Flash Memory Karte, es können nur 1MB und 4MB Karten verwendet werden.)
UEBERTR. -FEHLER	In der Kommunikation zum PC/Host ist ein Fehler aufgetreten.	Drucker aus-und einschalten und erneut versuchen, oder die [RESTART] Taste drücken. Programmdateien und Schriftparameter überprüfen. Kundendienst anfordern, wenn nötig.
ex) PC001; 0A00, Command error 0300, 2, 2	Der Drucker überprüft die Syntax der empfangenen Befehle und zeigt die ersten 16 Bytes des fehlerhaften Befehls im Display. Die Steuerzeichen ESC, LF und NUL werden nicht angezeigt.	Syntaxfehler korrigieren und erneut übertragen.
Andere Fehlermeldungen	Weisen auf Hard- oder Softwarefehler hin.	Wenn der Fehler durch Aus/ Einschalten nicht beseitigt werden kann, Kundendienst anfordern.
<p>HINWEIS: Normalerweise lassen sich alle Fehler durch Drücken der [RESTART] Taste beheben. Geht dies nicht, so schalten Sie den Drucker aus und wieder ein. Wurde der Drucker aus- / eingeschaltet, so sind alle Daten und Zähler gelöscht.</p> <p>**** zeigt im Zusammenhang mit Fehlermeldungen die noch zu druckende Anzahl von Etiketten / Anhängern an.</p>		

Problem	Lösung
Kein Druck	<ol style="list-style-type: none"> 1. Prüfen, ob Papier und Farbband richtig eingesetzt sind. 2. Prüfen, ob Druckkopf richtig verriegelt wurde. 3. Prüfen, ob Verbindung zwischen Host und Drucker richtig ist.
Fehlende Druckpunkte	Druckkopf verschmutzt. → Druckkopf reinigen. Wenn erforderlich, Kundendienst anfordern.
Schlechtes oder unsauberes Druckbild	<ol style="list-style-type: none"> 1. Druckkopf verschmutzt. → Druckkopf reinigen. 2. Falsches oder fehlerhaftes Farbband. → Neues Farbband einsetzen. 3. Schlechtes Papier. → Anderes Papier verwenden.
Drucker läßt sich nicht einschalten.	<ol style="list-style-type: none"> 1. Prüfen, ob Netzkabel richtig eingesteckt ist. 2. Prüfen, ob die Sicherung im Drucker ganz ist. 3. Prüfen Sie, z. B. mit einem anderen Gerät, ob die Netzsteckdose Spannung führt. Wenn erforderlich, Kundendienst anfordern.
Drucker schneidet nicht.	Prüfen Sie, ob ein Papierstau im Messer vorliegt. Wenn erforderlich, Kundendienst anfordern.
Unsaubere oder ausgefranste Schnittkanten	<ol style="list-style-type: none"> 1. Messer reinigen. 2. Messer sind verschlissen. → Kundendienst anfordern.

VORSICHT:

- Schallemission: unter 70dB (A) nach DIN 45635 (oder ISO 7779)
- Die für das Gerät vorgesehene Steckdose muß in der Nähe des Gerätes und leicht zugänglich sein.

TEC

Impresora térmica TEC

B-480-QP SERIES

Manual de instrucciones

Mantenimiento

La seguridad personal en el manejo y mantenimiento de los equipos es extremadamente importante. Las Advertencias y Precauciones necesarias para el manejo seguro están contempladas en este manual. Se deben leer y entender todas las advertencias y precauciones contenidas en este manual antes de manejar o mantener el equipo.

No intente efectuar reparaciones o modificaciones en este equipo. Si ocurriese un fallo que no se puede rectificar utilizando este manual, apague la máquina, desconecte la alimentación y contacte con su Distribuidor Autorizado TOSHIBA TEC para la asistencia técnica.

Significado de cada símbolo



Este símbolo indica puntos de advertencia (incluyendo precauciones). El contenido específico de la advertencia está dibujado en el interior del \triangle símbolo. (El símbolo de la izquierda indica una precaución general.)



Este símbolo indica acciones prohibidas (puntos prohibidos). El contenido específico prohibido está dibujado en el interior o cerca del \odot símbolo. (El símbolo de la izquierda indica que no debe realizarse el desmontaje.)



Este símbolo indica las acciones que deben realizarse. Las instrucciones específicas están dibujadas en el interior del \bullet símbolo. (El símbolo de la izquierda indica que la clavija del cable de alimentación debe desconectarse de la toma de corriente.)

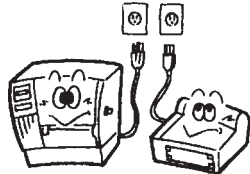


ADVERTENCIA

Esto indica que existe un riesgo de que se produzca la **muerte** o **heridas graves** si no se sigue esta indicación y las máquinas se manejan de forma incorrecta.



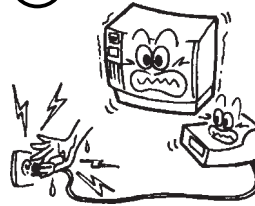
Cualquier otra tensión (CA) que no sea la especificada está prohibida.



■ No utilice otras tensiones diferentes de la tensión (CA) especificada en la placa de características, porque esto podría causar un **incendio** o una **sacudida eléctrica**.



Prohibido



■ No enchufe ni desenchufe las clavijas de los cables de alimentación con las manos mojadas porque esto puede causar una **sacudida eléctrica**.



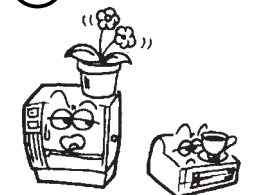
Prohibido



■ Si las máquinas comparten la misma toma de corriente con cualquier aparato eléctrico que consuma grandes cantidades de energía, la tensión fluctuará considerablemente cada vez que funcionen estos aparatos. Asegúrese de suministrar una toma de corriente exclusiva para las máquinas porque en caso contrario éstas tal vez **funcionen mal**.



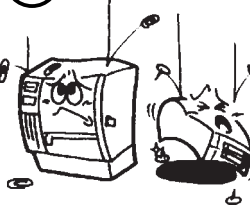
Prohibido



■ No ponga objetos metálicos ni recipientes llenos de agua tales como floreros, macetas, jarras, etc. encima de las máquinas. Si los objetos metálicos o los líquidos derramados entran en las máquinas, esto tal vez cause un **incendio** o una **sacudida eléctrica**.



Prohibido



■ No introduzca ni deje caer objetos metálicos, inflamables u otros extraños dentro de las máquinas a través de las ranuras de ventilación, esto podría causar un **incendio** o una **sacudida eléctrica**.



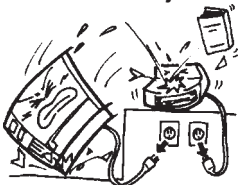
Prohibido



■ No trate de reparar o modificar las máquinas usted mismo, porque esto podría causar un **incendio** o una **sacudida eléctrica**. Póngase en contacto con su agente de ventas (o agente de mantenimiento y servicio) para cualquier cuestión relacionada con las reparaciones.



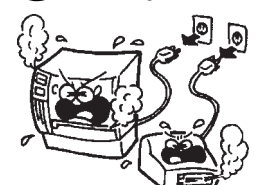
Desconecte la clavija.




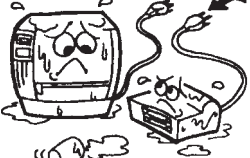

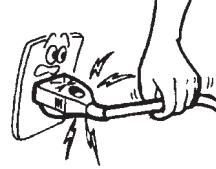

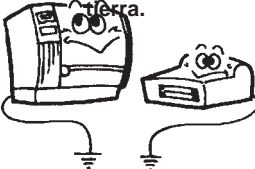

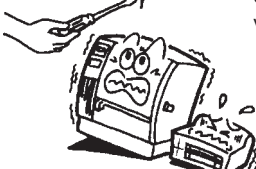
■ Si se caen las máquinas o se estropean sus cajas, apague primero las máquinas, desconecte las clavijas de alimentación de la toma de corriente y póngase en contacto con su Distribuidor Autorizado TOSHIBA TEC para que le proporcione asistencia. La utilización continua de las máquinas bajo estas condiciones puede causar un **incendio** o una **sacudida eléctrica**.



Desconecte la clavija.



■ La utilización continua de máquinas en mal estado-cuando producen humo u olores extraños, por ejemplo-puede provocar incendios o sacudidas eléctricas. En estos casos, apague inmediatamente la impresora y desconecte los cables de alimentación de la toma de corriente. Luego, póngase en contacto con su Distribuidor Autorizado TOSHIBA TEC para que le proporcione asistencia.

 <p>Desconecte la clavija.</p>  <p>■ Si entran objetos extraños (fragmentos de metal, agua, líquidos) en las máquinas, apague primero las máquinas, desconecte las clavijas de los cables de alimentación de la toma de corriente y luego póngase en contacto con su Distribuidor Autorizado TOSHIBA TEC para que le proporcione asistencia.</p>	 <p>Desconecte la clavija.</p>  <p>■ Cuando desenchufe los cables de alimentación, asegúrese de sujetar la clavija y tirar de ella. Tirar del cable puede ser la causa de que éste se rompa o de queden expuestos los conductores internos, lo que podría causar un incendio o una sacudida eléctrica.</p>
 <p>Conecte el cable de puesta a tierra.</p>  <p>■ Asegúrese de hacer la conexión de las tomas de tierra. Todas sus conexiones deben tener toma de tierra. Una derivación puede ser la causante de fuego o cortocircuitos.</p>	 <p>No se debe desmontar.</p>  <p>■ No intente desmontar o reparar la máquina por sí sólo, ya que puede exponerse a altas temperaturas, altos voltajes o zonas cortantes.</p>



PRECAUCIÓN

Esto indica que existe un riesgo de que se produzcan **heridas** personales o **daños** en objetos si no se sigue esta indicación y las máquinas se manejan de forma incorrecta.

Precauciones generales

Los puntos que se detallan a continuación le ayudarán a asegurarse de que la máquina funcionará correctamente.

- Procure evitar situar la impresora en lugares con las siguientes características:
 - * Temperatura fuera de especificaciones
 - * Luz directa del sol
 - * Humedad alta.
 - * Tomas de corriente compartidas
 - * Tomas de tensión compartidas
 - * Suciedad/Gas
- Limpiar la tapa con un paño seco o ligeramente humedecido con jabón. Nunca usar disolventes u otros productos semejantes para limpiar las partes plásticas.
- UTILICE SÓLO EL PAPEL Y CINTA RECOMENDADOS POR TOSHIBA TEC.
- NO ALMACENE el papel ni las cintas en lugares expuestos a luz solar directa, altas temperaturas, humedad, polvo o gas.
- Asegúrese de colocar la impresora en una superficie lisa.
- No se asegura el correcto almacenamiento de los datos en caso de que se produzca un error en la impresora.
- Evite utilizar esta máquina conectada a la misma fuente de corriente que un equipo de alto voltaje que pueda causar interferencias.
- Desconecte la impresora cada vez que la vaya a revisar o limpiar.
- Mantenga el área de trabajo libre de cargas electrostáticas.
- No ponga objetos pesados encima de las máquinas ya que éstos pueden perder el equilibrio y caerse causando **heridas**.
- No bloquee las ranuras de ventilación de las máquinas porque esto hará que se acumule calor en el interior de las máquinas y podrá causar un **incendio**.
- No se apoye ni deje nada sobre la impresora, ya que ésta podría caerse y ocasionarle daños.
- Tener cuidado de no cortarse con la cuchilla de la impresora.
- Desconecte la impresora cuando no la vaya a utilizar durante un periodo largo de tiempo.

Compromiso de Mantenimiento

- Utilice nuestros servicios de mantenimiento.
Después de comprar la impresora, contacte con su Distribuidor Autorizado TOSHIBA TEC al menos una vez al año para su mantenimiento y limpieza. En caso contrario, se puede acumular suciedad en la impresora y causar un incendio o mal funcionamiento. La limpieza es particularmente efectiva antes de las estaciones lluviosas húmedas.
- Nuestro servicio de mantenimiento realiza periódicamente chequeos y otros trabajos necesarios para mantener la calidad de impresión, el correcto funcionamiento y prevenir accidentes de antemano. Para más detalles, consulte a su Distribuidor Autorizado TOSHIBA TEC.
- Uso de insecticidas y otros productos químicos.
No exponga la impresora a insecticidas u otros disolventes volátiles, puesto que pueden deteriorar la carcasa y otros elementos o provocar el desprendimiento de la pintura.

ÍNDICE

	Página
1. INTRODUCCION	S1- 1
1.1 Descripción del modelo	S1- 1
1.2 Accesorios	S1- 1
2. ESPECIFICACIONES	S2- 1
2.1 Impresora	S2- 1
2.2 Opciones	S2- 2
2.3 Cinta	S2- 2
2.4 Papel	S2- 3
3. VISTA GENERAL	S3- 1
3.1 Vista frontal y posterior de la impresora	S3- 1
3.2 Panel de operaciones	S3- 1
4. INSTALACION DE LA IMPRESORA	S4- 1
4.1 Conexión de los cables	S4- 1
4.2 Procedimiento de colocación del filtro del ventilador	S4- 1
5. CARGA DEL PAPEL	S5- 1
6. COLOCACION DE LA CINTA	S6- 1
7. COMO INTRODUCIR LA TARJETA OPCIONAL PCMCIA	S7- 1
8. ACERCA DE LOS CONSUMIBLES	S8- 1
9. MANTENIMIENTO	S9- 1
9.1 Limpieza	S9- 1
9.2 Panel y cubiertas	S9- 2
9.3 Cómo quitar el papel atascado	S9- 2
9.4 Configuración del umbral de etiqueta	S9- 4
10. SOLUCION DE ERRORES	S10- 1

ATENCIÓN:

1. *Este manual no puede ser copiado total o parcialmente sin permiso escrito.*
2. *El contenido de este manual puede ser cambiado sin previo aviso.*
3. *Para cualquier consulta aclaración dirijase a su distribuidor autorizado TOSHIBA TEC.*

1. INTRODUCCION

Gracias por elegir la impresora térmica B-480 de TOSHIBA TEC. Esta nueva generación de impresoras de alto rendimiento y gran calidad viene equipada con lo último en hardware, incluyendo un novedoso cabezal de alta densidad (12 puntos/mm, 304.8 puntos/pulgada) con impresión por su arista que permite una impresión muy clara y una velocidad máxima de 203.2 mm/seg. (8 pulgadas/seg.), y un alojamiento en su interior para los rollos de consumible. Entre los accesorios opcionales se encuentran el ahorrador de cinta, el módulo de despegado/rebobinador interno y el soporte exterior de papel.

Este manual contiene información sobre la configuración general y el mantenimiento de la impresora B-480, por lo que rogamos sea leído atentamente para obtener el máxima rendimiento de su impresora. Si tuviese alguna cuestión referente a la impresora, por favor consulte este manual. Asegúrese de tenerlo a mano para futuras consultas.

WARNING

This is a Class A product. In a domestic environment this product may cause radio interference in which case the user may be required to take adequate measures.

PRECAUCION

Al abrir o cerrar la cubierta superior (tapa), tenga cuidado de no pillarse los dedos.

PRECAUCION

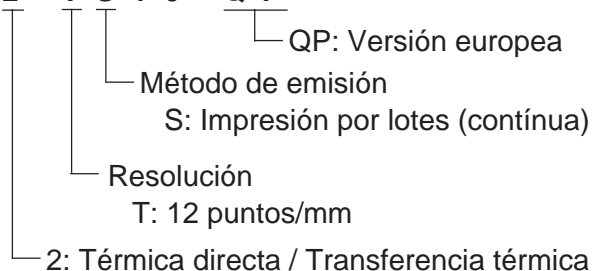
Antes de manipular cualquier pieza de la impresora en movimiento (motors, rodillos, etc.), desenchufe la impresora de la red a fin de evitar que los dedos, joyas, ropa, etc, puedan engancharse en ellas.

1.1 Descripción del modelo

- B-482-TS10-QP

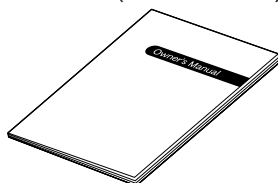
Descripción del modelo

B - 4 8 2 - T S 1 0 - Q P

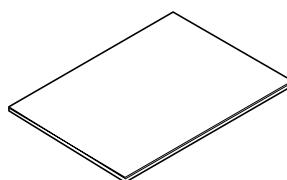


1.2 Accesorios

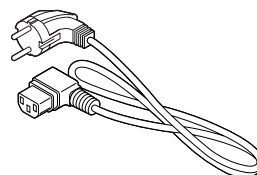
Manual que ya posee
(EO1-33007)



Proceso de desempaquetado



Cable de alimentación



Filtro del ventilador
(FMBB0036801)



2. ESPECIFICACIONES

2.1 Impresora

Características	Modelo	B-482-TS10-QP
Tensión de alimentación		220V ~ 240V AC +10%, -15%, 50Hz
Consumo		Máximo 1.13A, 128W (parada: 250mA, 23W)
Rango de temperaturas		5°C ~ 40°C
Humedad relativa		25% ~ 85%RH (sin vapor)
Cabezal de impresión		Cabezal térmico de 12 puntos/mm
Método de impresión		Transferencia térmica / Térmica directa
Velocidad de impresión		76.2 mm/seg., 127 mm/seg., 203.2 mm/seg., 101.6 mm/seg. ... Sólo térmica directa
Ancho de impresión		104.0 mm
Modos de emisión		Continuo, con dispensador automático o con cortador (Los modos Corte y Despegado están sólo disponibles cuando los módulos opcionales correspondientes están instalados.)
Pantalla de mensajes		16 dígitos x 1 línea (LCD)
Dimensiones		291 mm (ancho) x 460 mm (fondo) x 308 mm (alto)
Peso		17 kg
Formatos de códigos de barras		JAN8, EAN8, JAN13, EAN13, UPC-A, UPC-B EAN8, EAN13, UPC-A, UPC-E + 2digit EAN8, EAN13, UPC-A, UPC-E + 5digit NW-7 CODE39 (STANDARD) CODE39 (FULL ASCII) ITF MSI CODE93 CODE128 EAN128 Data Matrix PDF417 QR Code industrial 2 of 5 Customer Bar Code POSTNET RM4SCC (ROYAL MAIL 4STATE CUSTOMERCODE) KIX CODE Maxi Code Micro PDF417
Fuentes de letras		Times Roman (6 tipos), Helvetica (6 tipos), Presentation (1 tipo), Letter Gothic (1 tipo), Prestige Elite (2 tipos), Fuente Outline (4 tipos), OCR (2 tipos), Caracteres imprimibles (disponibles 2-byte para cada carácter), Courier (2 tipos), Fuentes de precios (3 tipos)
Rotaciones		0°, 90°, 180°, 270°
Interface		
Standard		Interface serie (RS-232C) Interface paralelo (Centronics)
Opcional		Interface de expansión I/O Interface PCMCIA

2.2 Opciones

Nombre de la opción	Tipo	Uso	Origen
Unidad cortadora	B-4205-QM	Cortador de tijera de paro y corte.	Ver NOTA
Módulo cortador giratorio	B-8204-QM	Cortador rotativo	
Módulo de despegado	B-4905-H-QM	Este módulo, gracias a su bloque de recogida y el de despegado, separa la etiqueta del papel soporte. Cuando se desee enrollar papel continuo o etiquetas con soporte se deberá montar la guía del rebobinador.	
Guía de papel plegado	B-4905-FF-QM	Guía de papel sólo para papel plegado	
Placa interfaz PCMCIA	B-8700-PC-QM	Esta placa permite utilizar las siguientes tarjetas PCMCIA. <ul style="list-style-type: none"> Tarjeta LAN:3 COM EtherLink®III (recomendado) 3 COM 3CCE589ET (recomendado) Tarjeta ATA: Conforme al estándar de tarjetas ATA para PC Tarjeta de memoria Flash: Tarjetas de 1MB y 4 MB (ver página 7-1) 	
Placa de interfaz de expansión E/S	B-8700-IO-QM	Instalando esta placa en la impresora permite conectarse con un dispositivo externo mediante un interfaz exclusivo.	

NOTA: Disponible en su distribuidor autorizado TOSHIBA TEC.

2.3 Cinta

Tipo	Tipo de carrete
Ancho	68 mm ~ 112 mm
Longitud	600 m
Diámetro exterior	ø90 mm (max.)

NOTAS:

- Se llama "on the fly" al tipo de impresión que imprime y dibuja al mismo tiempo.
- Se recomienda el uso de papel y cintas recomendadas por TOSHIBA TEC con el fin de alargar la vida del cabezal de impresión.
- Trabajando con cortador, la etiqueta a imprimir debe cumplir que; la suma de la longitud de la etiqueta (B) más la mitad de la longitud del espacio entre etiquetas (E) será mayor de 35 mm. (Refer. pag. 2-3.)
- Se debe tener en cuenta que si se usa el rebobinador interno, el diámetro máximo de enrollado es de 180 mm.
- Utilizar papel rugoso con el modo ahorrador de cinta, puede producir borrones en la impresión.

2.4 Papel

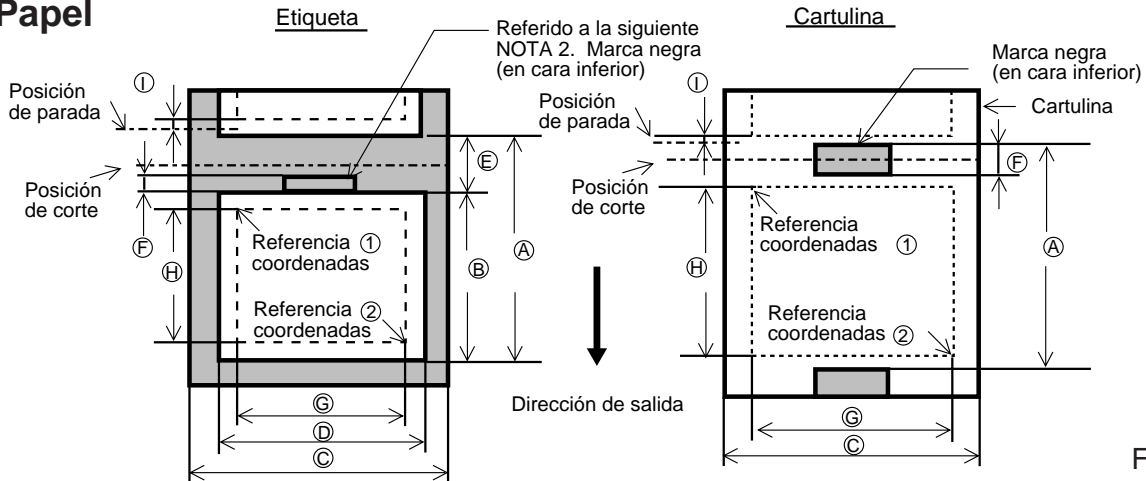


Fig. 2-1

[Unidad: mm]

Especificación		Modo de emisión		Con cortador			
		Contínuo	Dispensado automático	Módulo cortado giratorio		Unidad cortadora	
				Desactivada la función de subida del cabezal	Activada la función de subida del cabezal		
A: Espacio entre finales de etiquetas/cartulinas	Etiqueta	Min.	10.0	25.4	3"/seg.:94.0 4"/seg.:98.0 5"/seg.:102.0 8"/seg.:113.0	3"/seg.:38.0 4"/seg.:38.0 5"/seg.:38.0 8"/seg.:38.0	38.0
		Max.	2730.0				
	Cartulina	Min.	10.0	-	3"/seg.:30.0 4"/seg.:30.0 5"/seg.:30.0 8"/seg.:38.0		25.4
		Max.	2730.0	-	2730.0		
B: Longitud de la etiqueta		Min.	8.0	23.4	3"/seg.:81.0(*1) 4"/seg.:85.0(*2) 5"/seg.:89.0(*3) 8"/seg.:100.0(*4)	3"/seg.:25.0 4"/seg.:25.0 5"/seg.:25.0 8"/seg.:25.0	25.0 (*5)
		Max.	2728.0		2724.0		
C: Ancho del papel porta etiquetas/cartulina		Min.	50.8				
		Max.	112.0				
D: Ancho de la etiqueta		Min.	47.8				
		Max.	109.0				
E: Espacio entre etiquetas		Min.	2.0		6.0		
		Max.	20.0				
F: Longitud de la marca negra (Cartulina)		Min.	2.0				
		Max.	10.0				
G: Ancho de la zona efectiva de impresión		Min.	10.0				
		Max.	104.0 ± 0.2				
H: Longitud de la zona efectiva de impresión	Etiqueta	Min.	6.0	21.4	3"/seg.:79.0 4"/seg.:83.0 5"/seg.:87.0 8"/seg.:98.0	3"/seg.:23.0 4"/seg.:23.0 5"/seg.:23.0 8"/seg.:23.0	23.0
		Max.	2726.0				
	Cartulina	Min.	8.0	-	3"/seg.:28.0 4"/seg.:28.0 5"/seg.:28.0 8"/seg.:36.0		23.0
		Max.	2726.0	-	2726.0		
I: Velocidad de impresión arriba/abajo			1.0				
Espesor	Etiqueta	Min. 130 µm, Max. 170 µm					
	Cartulina	Min. 150 µm, Max. 290 µm					
Longitud max. de impresión	1361.0						
Diámetro exterior del rollo	ø 200 Max.						

NOTAS:

- Asegúrese de que el papel que va a cargar cumple las especificaciones arriba indicadas.
- La longitud de la etiqueta debe cumplir las siguientes condiciones en cada caso.
 - Cuando se emita una etiqueta con el cortador giratorio a una velocidad de impresión de 3"/seg.: 91.0 mm - (Separación entre etiquetas / 2) o más.
 - Cuando se emita una etiqueta con el cortador giratorio a una velocidad de impresión de 4"/seg.: 95.0 mm - (Separación entre etiquetas / 2) o más
 - Cuando se emita una etiqueta con el cortador giratorio a una velocidad de impresión de 5"/seg.: 99.0 mm - (Separación entre etiquetas / 2) o más
 - Cuando se emita una etiqueta con el cortador giratorio a una velocidad de impresión de 8"/seg.: 110.0 mm - (Separación entre etiquetas / 2) o más
 - Cuando se emita una etiqueta con el cortador de tijera: 35.0 mm - (Separación entre etiquetas / 2)

3. VISTA GENERAL

3.1 Vista frontal y posterior de la impresora

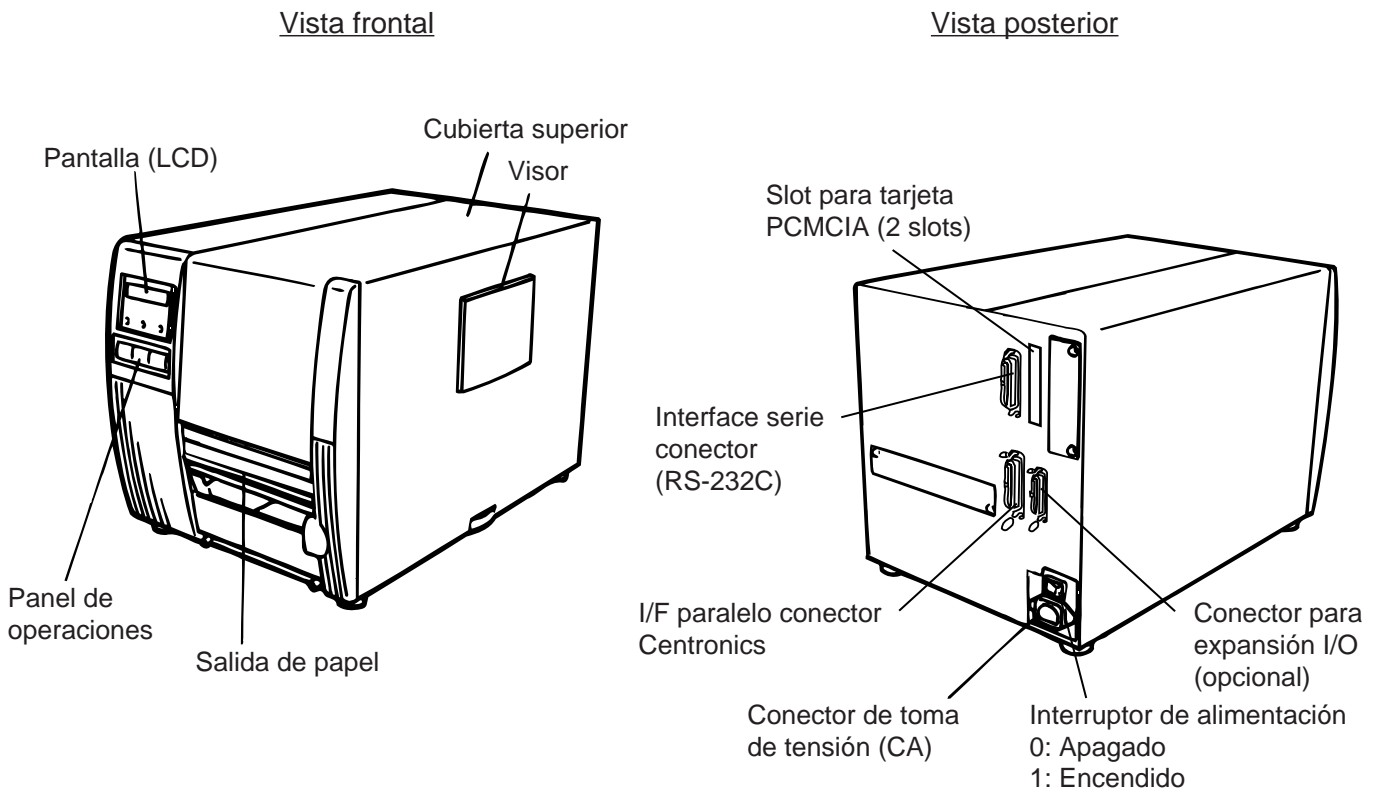


Fig. 3-1

3.2 Panel de operaciones

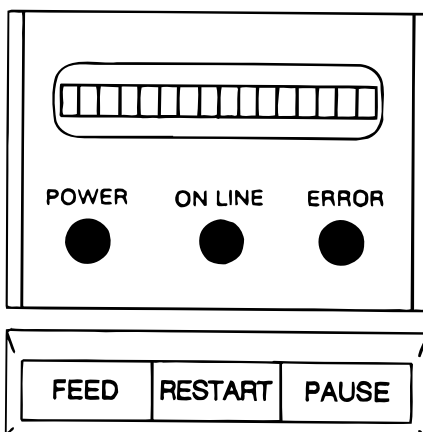


Fig. 3-2

PANTALLA (LCD)

Cuando la impresora esta encendida y lista para imprimir, el mensaje "ON LINE" aparece en la pantalla.

INDICADOR DE ENCENDIDO (Verde)

Se ilumina cuando la impresora se encuentra encendida.

INDICADOR DE "ON LINE" (Verde)

- 1) Parpadea cuando la impresora se encuentra comunicando con un ordenador o viceversa.
- 2) Iluminado cuando la impresora se encuentra imprimiendo.

INDICADOR DE ERROR (Rojo)

Se ilumina cuando ocurre un error de comunicación o cuando la impresora no es manipulada correctamente.

TECLA DE "FEED"

Al pulsarlo produce un avance del papel.

TECLA DE "RESTART"

Reinicia la impresora cuando ésta se encuentra atascada o se ha producido algún error. Usado para fijar el umbral de etiqueta. (Refer. pag 9-4)

TECLA DE "PAUSE"

Produce una pausa en la impresión. Muestra el mensaje de "PAUSE" (pausa). Usado para configurar el umbral de etiqueta. (Refer. pag. 9-4.)

4. INSTALACION DE LA IMPRESORA

4.1 Conexión de los cables

ATENCIÓN:

Apagar la impresora antes de conectar cualquier cable.

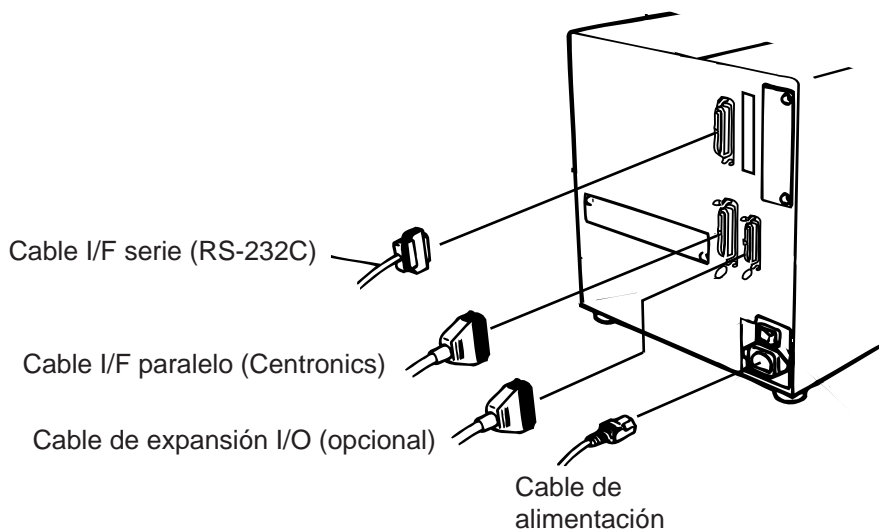


Fig. 4-1

4.2 Procedimiento de colocación del filtro del ventilador

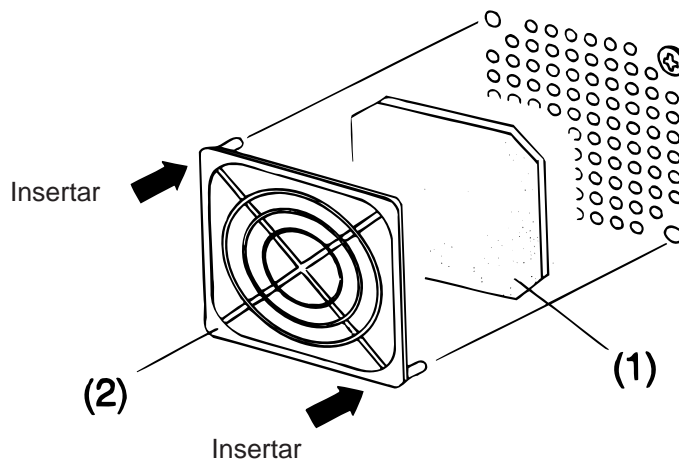


Fig. 4-2

Cuando se esté instalando la impresora, es importante asegurarse de que el filtro del ventilador sea instalado antes de comenzar a utilizarla.

El filtro se compone de dos piezas:

- (1) Almohadilla filtro
- (2) Sujeción del filtro

Para fijar todo el conjunto a la impresora no hay más que presionar siguiendo las indicaciones del diagrama anterior, asegurándose que los engarces entren en sus agujeros.

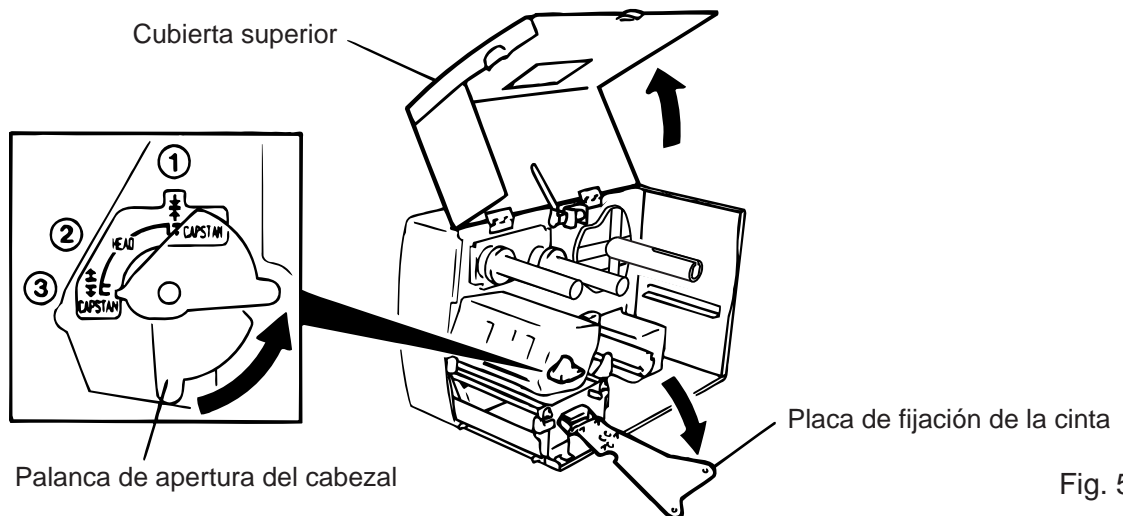
5. CARGA DEL PAPEL

ATENCIÓN!

1. Antes de manipular cualquier pieza de la impresora en movimiento (motores, rodillos, etc.), desenchufe la impresora de la red a fin de evitar que los dedos, joyas, ropa, etc. puedan engancharse en ellas.
2. Al abrir o cerrar la cubierta superior (tapa), tenga cuidado de no pillarse los dedos.

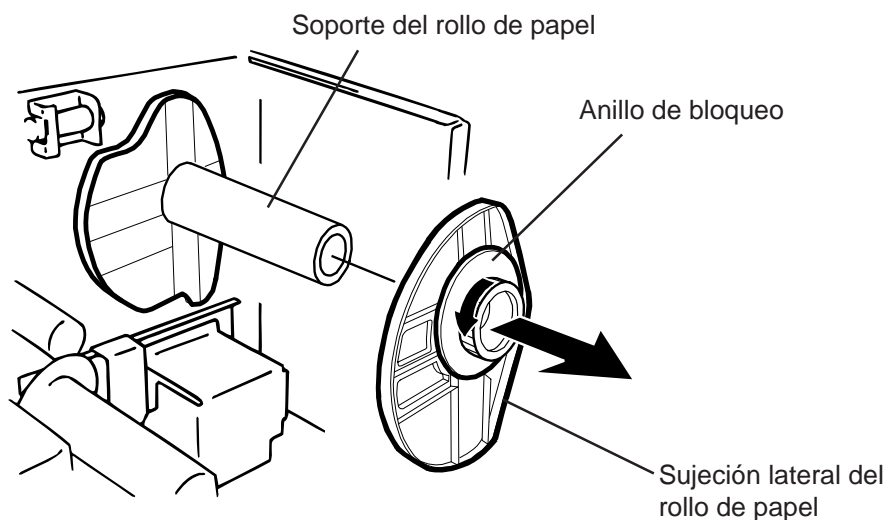
La impresora imprime en etiquetas y en cartulinas indistintamente.

1. Apagar la impresora y abrir la cubierta superior.
2. Gire la palanca de apertura del cabezal hasta la posición ③, luego libere la placa de fijación de la cinta.



- NOTAS:**
1. Cuando la palanca de apertura del cabezal se gira hasta la posición ②, el cabezal se levanta.
 2. Cuando la palanca de apertura del cabezal se gira hasta el final de la posición ③, la cabeza de impresión y los rodillos de sujeción del papel se levantan.
 3. Para permitir la impresión, la palanca de apertura del cabezal debe estar en posición ①. (Asegúrese de que tanto la cabeza como los rodillos de sujeción de papel están cerrados.)
3. Gire el anillo de bloqueo en el sentido contrario a las agujas del reloj y extraiga el soporte lateral de papel de eje.

NOTA: No gire demasiado el anillo de fijación en el sentido de las agujas del reloj o se puede desprender la sujeción lateral del rollo de papel.



4. Colocar el rollo de papel en el soporte del rollo de papel.
5. Pase el papel por el regulador de tiro y llévelo hacia el frontal de la impresora. Coloque la sujeción lateral del rollo de papel tal y como ilustra la figura.
6. Inserte el saliente del soporte lateral de papel en la ranura del eje hasta fijar el rollo. Luego, gire el anillo de bloqueo en el sentido de las agujas del reloj para asegurar el soporte lateral. Esto centrará el papel automáticamente.

NOTA: No apriete muy fuerte el anillo de bloqueo del soporte lateral de papel.

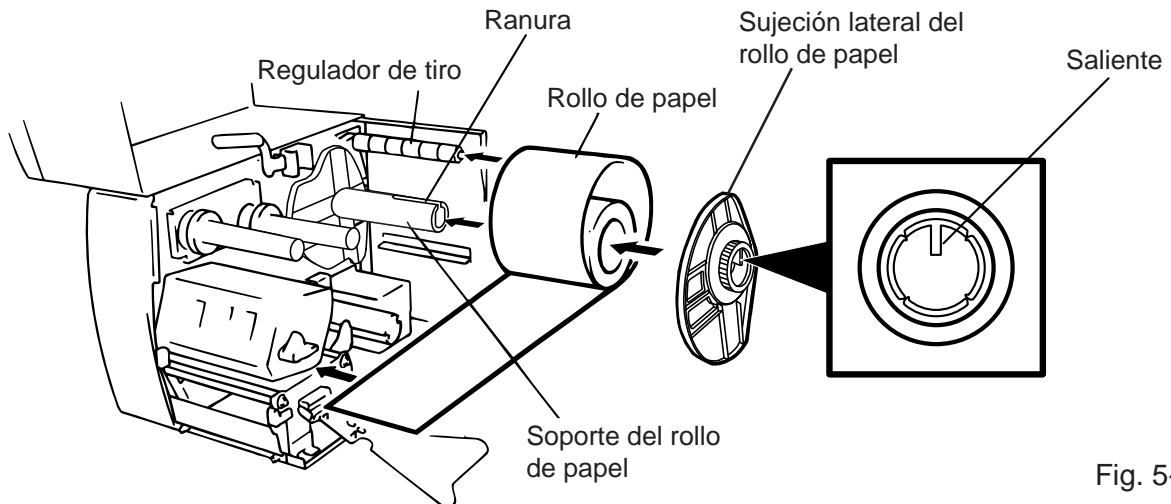


Fig. 5-3

7. Inserte el papel a través de las pletinas de sujeción de la guía papel, ajuste las guías al ancho del papel y apriete el tornillo de fijación.
8. Comprobar que el papel sale desde el rollo, pasa por las guías y sale por debajo de la cabeza de impresión. El papel debe quedar colocado en el centro de la cabeza de impresión.

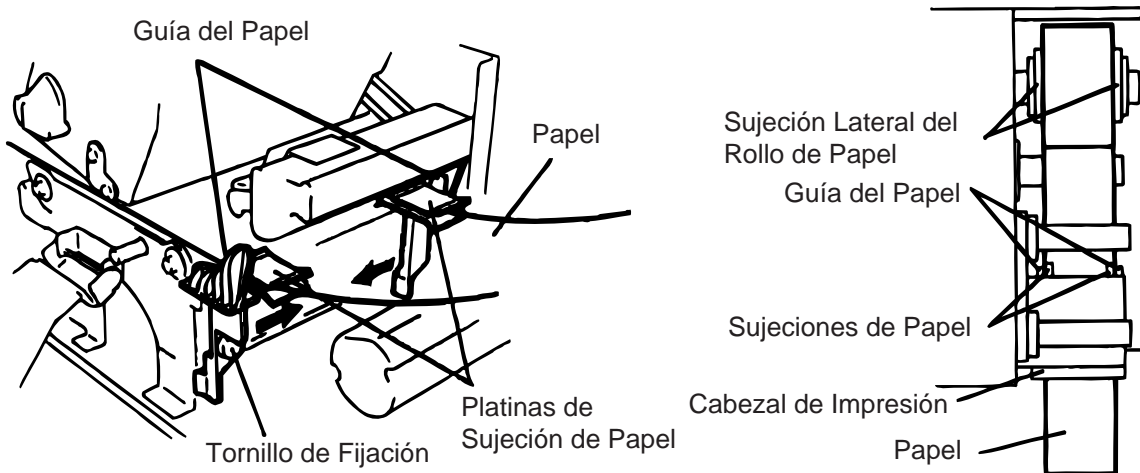


Fig. 5-4

NOTA: Cuando utilice rollos con las etiquetas en la cara externa, quite las pletinas superiores de las sujeciones de papel de las siguiente forma. Un fallo al hacer esto puede causar un error de atasco de papel.

Si tiene alguna duda, por favor póngase en contacto con su representante de Servicio TOSHIBA TEC más cercano.

■ Extracción de las pletinas superiores las sujeciones de la guía de papel

- ① Quitar los dos tornillos T-4x8 para soltar la guía de papel de la impresora.

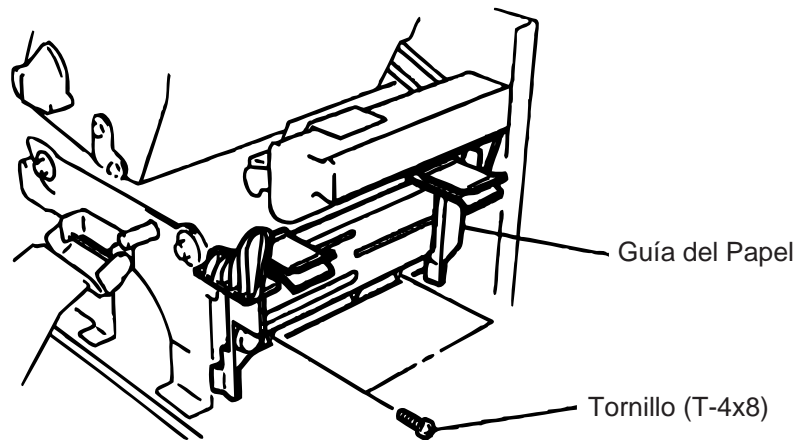


Fig. 5-5

- ② Quitar el tornillo SM-3x6 o el SM-3x8 para soltar las pletinas superiores de las sujeciones de la guía de papel.

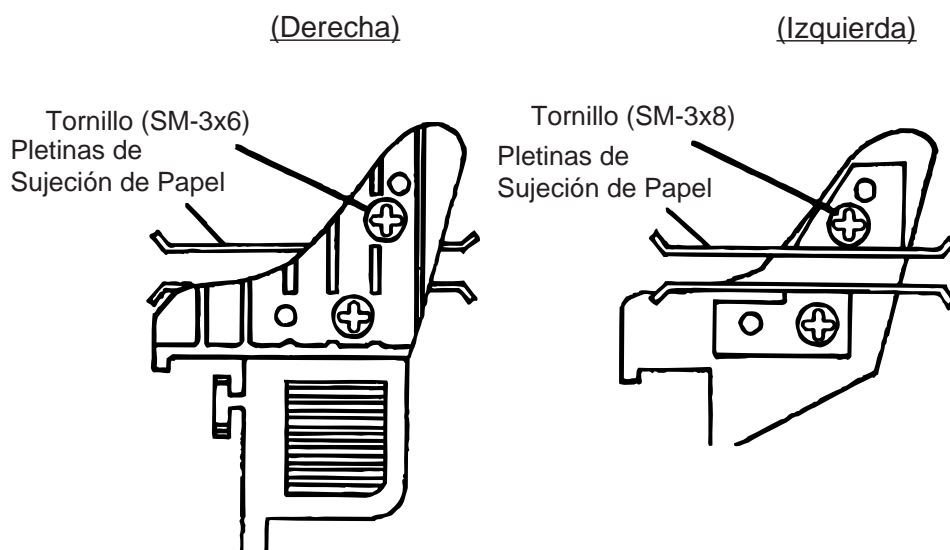


Fig. 5-6

- ③ Coloque la guía de papel en su posición.

NOTA: No pierda las pletinas superiores quitadas porque las puede necesitar cuando utilice rollos con las etiquetas en la cara interior.

9. Ajuste la precisión de los sensores de papel. Cuando se gira el mando del sensor hacia la derecha el sensor avanza, cuando se gira a la izquierda el sensor retrocede.

■ Ajuste de la posición del sensor de marca negra

- ① Sacar unos 500 mm de papel y doblarlo de tal manera que se introduzca entre la cabeza de impresión y el papel ya introducido.
- ② Ajustar la posición del sensor de marca negra en la marca del papel (el agujero de arriba indica la posición del sensor).

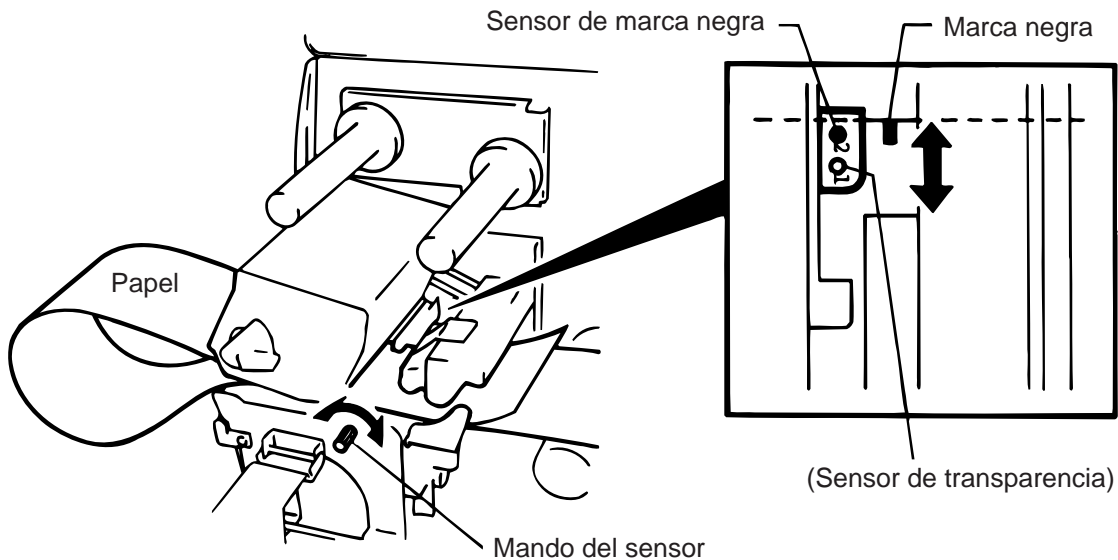


Fig. 5-7

NOTA: Asegúrese de que la marca se encuentra en el centro del sensor, de no ser así pueden producirse atascos del papel.

■ Ajuste de la posición del sensor de transparencia

- ① Ajustar la posición del sensor de transparencia en un espacio entre etiquetas. (el agujero de abajo indica la posición del sensor.)

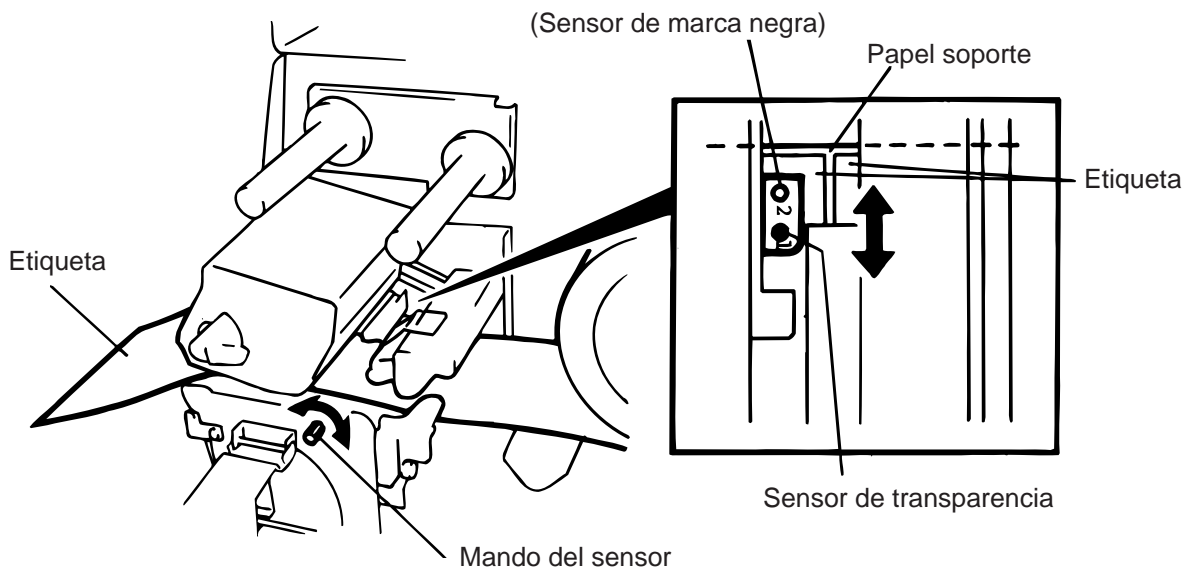


Fig. 5-8

10. Ahora tanto el papel como la posición del sensor se encuentran ubicados correctamente.

Emisión continua:

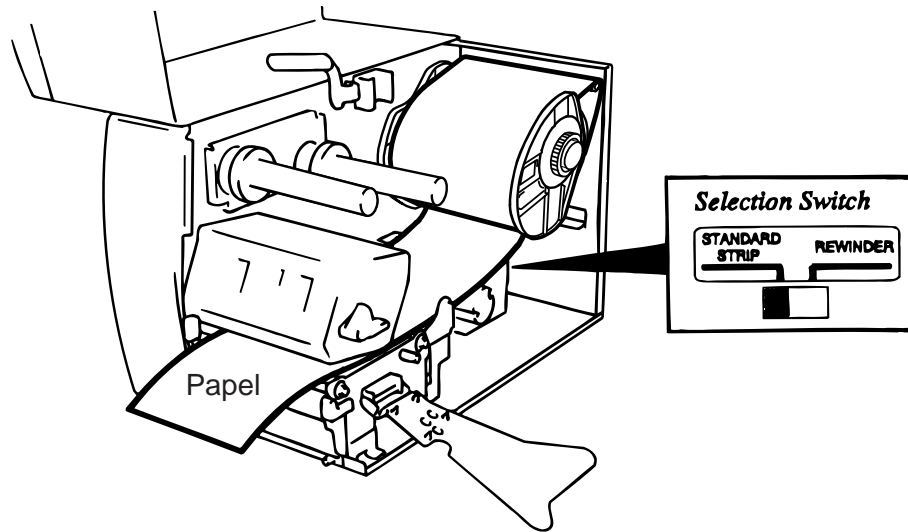


Fig. 5-9

NOTA: Coloque el conmutador de selección en la posición STANDARD/STRIP.

Una posición incorrecta de este conmutador puede afectar a la calidad de impresión.

Emisión con despegado automático:

- ① Despege las etiquetas necesarias para dejar libre unos 500 mm de papel soporte.
- ② Pase el papel soporte por el rodillo de recogida y fíjelo al mismo.
(El rodillo de recogida gira en sentido contrario a las agujas del reloj.)
- ③ Girar el rodillo de recogida en el sentido opuesto al de las agujas del reloj para tensar el papel soporte.

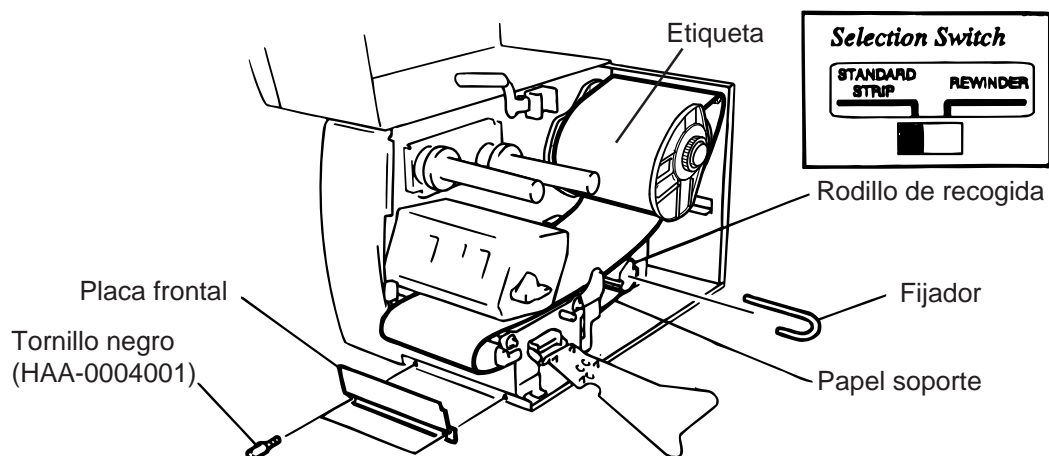


Fig. 5-10

NOTAS: 1. El papel soporte es fácil de insertar si se extrae la placa frontal.

2. Colocar la parte más larga del fijador a la ranura del rodillo de recogida.

3. Coloque el conmutador de selección en la posición STANDARD/STRIP.

Emisión con cortador:

Cuando se trabaja con cortador, avance el papel hasta la salida de papel ubicada en el módulo cortador.

Tipo de cortador: Una vez el cortador está instalado, cargar el papel alimentándolo a través del módulo cortador. El cortador de tijera y el cortador giratorio están disponibles como opción. Se utilizan de la misma manera aunque sean diferentes. A continuación se indica cómo colocar el papel utilizando el cortador de tijera.

- NOTAS:**
1. *A la hora de trabajar con el cortador, asegúrese de cortar sólo papel soporte. Tenga en cuenta que si se cortan etiquetas el adhesivo de estas se queda pegado en la cuchilla; lo cual afecta tanto a la calidad de corte como a la vida del cortador.*
 2. *Si el borde superior de la etiqueta entra torcido en el rodillo de impresión en emisión con corte, por favor contacte con su representante TOSHIBA TEC más cercano.*
 3. *En el modo de emisión con core la posición del conmutador de selección no influye sobre la impresión.*

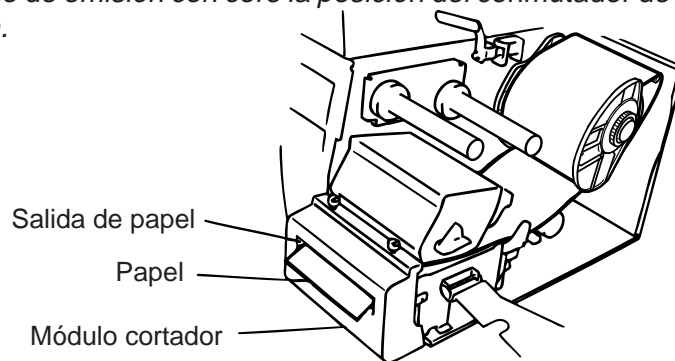


Fig. 5-11

Emisión con rebobinador:

- ① Quite dos tornillos negros y extraiga la cubierta frontal.
- ② Ancle la guía del rebobinador al eje de despegado y fijela con los tornillos.

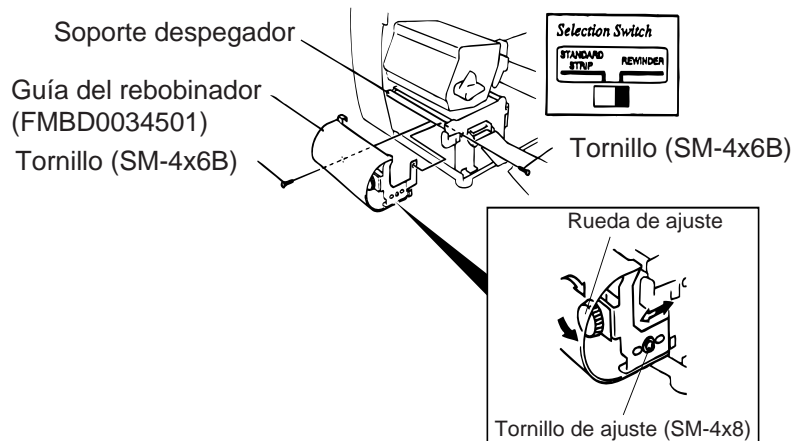


Fig. 5-12

NOTA: Coloque el conmutador de selección en la posición de **REWINDER** (Rebobinador).

- ③ Seguir el proceso de emisión con despegado automático.
- ④ Ajuste

Si se dobla la etiqueta cuando se recoge, gire la rueda de ajuste de la guía del rebobinador para corregir la alimentación del papel. Girando en el sentido de las agujas del reloj el rebobinador avanza y en sentido contrario retrocede.

* Cuando las etiquetas se tuercen hacia la derecha:

Afloje el tornillo de ajuste SM-4x8 con un destornillador plano. Gire la rueda de ajuste en sentido de las agujas del reloj y cuando el rebobinador se encuentre en la posición correcta, apriete el tornillo de ajuste SM-4x8.

* Cuando las etiquetas se tuercen hacia la izquierda:

Afloje el tornillo de ajuste SM-4x8 con un destornillador plano. Gire la rueda de ajuste en sentido contrario a las agujas del reloj y cuando el rebobinador se encuentre en la posición correcta, apriete el tornillo de ajuste SM-4x8.

6. COLOCACION DE LA CINTA

ATENCIÓN:

1. Antes de manipular cualquier pieza de la impresora en movimiento (motores, rodillos, etc.), desenchufe la impresora de la red a fin de evitar que los dedos, joyas, ropa, etc, puedan engancharse en ellas.
2. Al abrir o cerrar la cubierta superior (tapa), tenga cuidado de no pillarse los dedos.

Existen dos tipos de papeles, el estandar y el térmico. NO CARGUE cinta cuando vaya a usar papel térmico.

1. Cuando se usa cinta estrecha, desplazar los topes de la cinta hacia atrás y ajuste los extremos de acuerdo a su ancho. Si se cambia de cinta estrecha a cinta ancha, se deberán girar los topes de la cinta 90 grados y presionarlos hasta ajustarlos con el ancho actual, y vuelva a fijarlos.

NOTA: Cuando se reajustan los topes de la cinta, colocarlos con los remaches hacia el borde del soporte de la cinta.

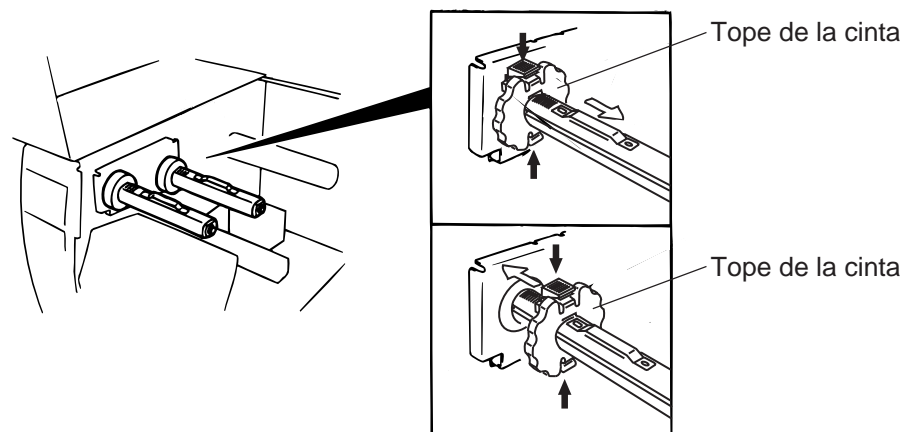


Fig. 6-1

2. Aflojar la cinta y colocarla en el interior de la impresora como muestran los siguientes gráficos. La cinta debe estar posicionada sobre el sensor.
3. Girar ambos rollos tal y como muestra la figura para tensar la cinta.

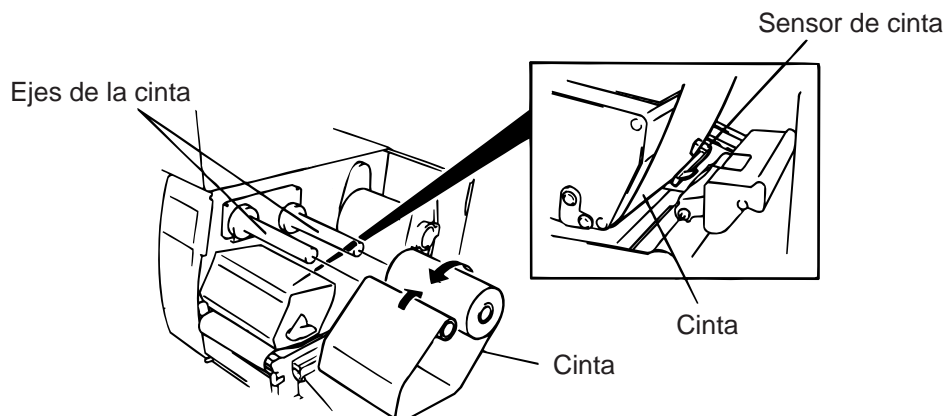


Fig. 6-2

4. Volver a colocar la fijación de la cinta alineándola con el eje de la misma.
5. Girar la palanca de apertura del cabezal con el fin de bajar la cabeza de impresión.
6. Cerrar la tapa superior.

7. COMO INTRODUCIR LA TARJETA OPCIONAL PCMCIA

ATENCIÓN:

Apagar siempre la impresora cuando se vaya a introducir o extraer la tarjeta PCMCIA.

PRECAUCIÓN:

Para proteger las tarjetas PCMCIA, toque la cubierta trasera de la impresora para descargarse de la electricidad estática antes de tocar la tarjeta PCMCIA.

1. Apagar la impresora.
2. Introduzca la tarjeta PCMCIA en el slot en la parte trasera de la impresora.
3. Encender la impresora.

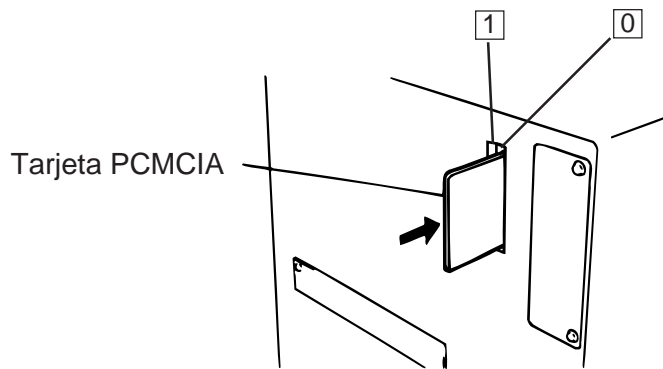


Fig. 7-1

- CUIDADOL:**
1. Asegúrese de proteger la tarjeta PCMCIA guardándola en su caja cuando no la utilice en la impresora.
 2. No golpee o aplique demasiada fuerza al introducir la tarjeta.
 3. Procure no exponer la tarjeta a temperaturas altas, luz directa del sol y humedad excesiva. Para limpiarla use un paño ligeramente humedecido.
 4. Antes de introducir o extraer la tarjeta asegúrese de que la impresora esté apagada.
 5. Se pueden utilizar las siguientes tarjetas flash. (La tarjeta de 1 MB es de sólo lectura y la de 4 MB es de lectura/escritura.)

Capacidad	Fabricante	Tipo	Código de dispositivo	Código de fabricante
1M Byte	Maxell	EF-1M-TB AA	D0H	1CH
	Mitsubishi	MF81M1-GBDAT01		
4M Byte	Maxell	EF-4M-TB CC	88H	B0H
	Maxell	EF-4M-TB DC	ADH	04H
	Centennial Technologies INC.	FL04M-15-11119-03		01H
	INTEL	IMC004FLSA	A2H	89H
	Simple TECHNOLOGY	STI-FL/4A		
	Mitsubishi	MF84M1-G7DAT01		
	PC Card KING MAX	FJN-004M6C		
	PC Card	FJP-004M6R	A0H	89H

6. Instalar la tarjeta LAN en el slot (1).

8. ACERCA DE LOS CONSUMIBLES

ATENCIÓN:

Por tratarse de una impresora de transferencia térmica, se aconseja que se usen las etiquetas y cintas recomendadas por TOSHIBA TEC. De lo contrario pueden resultar códigos de barras ilegibles. Trátense estas etiquetas y cintas con cuidado. En caso de usar productos en mal estado puede que los códigos impresos sean defectuosos además de acortar la vida de su cabezal. Lea detenidamente este manual.

- No almacene el papel o las cintas por más tiempo del que recomiendan los fabricantes. Colóquense en sitios lisos y evítense almacenarlos en superficies irregulares. Usar consumibles en mal estado puede producir atascos en la impresora y ofrece una baja calidad de impresión.
- Consérvense dentro de bolsas de plástico cerradas convenientemente. De lo contrario éstos absorberán suciedad lo que acortará la vida de su cabezal.
- Almacenar en sitios frescos y secos. Evite ambientes húmedos, suciedad, polvo, altas temperaturas, gas y que estén expuestos directamente a la luz del sol.
- El uso de impresión térmica directa (impresión sobre papel térmico) requiere que el papel térmico no exceda de: Na+ 800 ppm, K+ 250 ppm y CL-500 ppm.
- Algunas tintas usadas en etiquetas preimpresas pueden contener ingredientes que influyan en la vida del cabezal, por eso no use etiquetas preimpresas que contengan carbonico cálcico (CaCO_3) y Caolin (Al_2O_3 , 2SiO_2 , $2\text{H}_2\text{O}$).

Para más información consulte con su distribuidor o sus fabricantes de papel y cintas.

9. MANTENIMIENTO

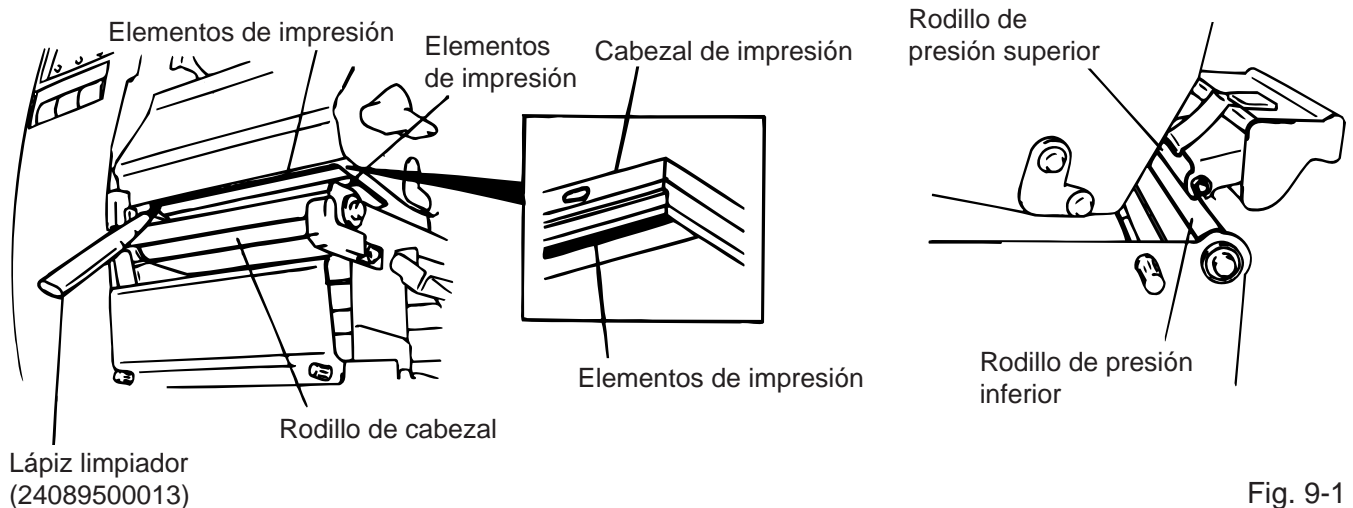
ATENCIÓN!

1. Tenga cuidado en el manejo del cabezal ya que éste puede estar caliente.
2. Tener cuidado de no cortarse con la cuchilla de la impresora.
3. Antes de manipular cualquier pieza de la impresora en movimiento (motores, rodillos, etc.), desenchufe la impresora de la red a fin de evitar que los dedos, joyas, ropa, etc, puedan engancharse en ellas.
4. Al abrir o cerrar la cubierta superior (tapa), tenga cuidado de no pillarse los dedos.

9.1 Limpieza

Se recomienda usar para su limpieza productos de calidad. De acuerdo con la frecuencia con la que se use la máquina se deberá limpiar cada día o cada semana.

1. Apagar la impresora.
2. Abrir la tapa superior.
3. Girar la palanca de apertura del cabezal de impresión para levantarlo.
4. Extraer de la impresora la cinta (si se usa) y el papel.
5. Limpiar los elementos de impresión del cabezal de impresión con el lápiz limpiador.
6. Limpiar el rodillo de cabezal, rodillo de presión inferior y rodillo de presión superior humedeciendo el lápiz limpiador con un poco de alcohol. Elimine la suciedad o las sustancias extrañas del interior de la impresora.



ATENCIÓN!

1. Asegúrese de desconectar la impresora de la red.
2. No use herramientas que puedan dañar la impresora.
3. No arroje agua directamente sobre la impresora.

■ Cómo limpiar la unidad cortadora

ATENCIÓN!

1. Asegurarse de que la impresora se encuentra apagada antes de empezar a limpiar.
2. Tener cuidado de no cortarse con las cuchillas.

El cortador de tijera y el cortador giratorio están disponibles como una opción. Se limpian de la misma manera aunque sean diferentes. A continuación se indica cómo limpiar la unidad de corte del cortador de tijera.

1. Aflojar los dos tornillos de la cubierta frontal.
2. Sacar el tornillo blanco para extraer la guía del papel.
3. Quitar el papel atascado.
4. Limpiar toda la unidad con un paño seco.

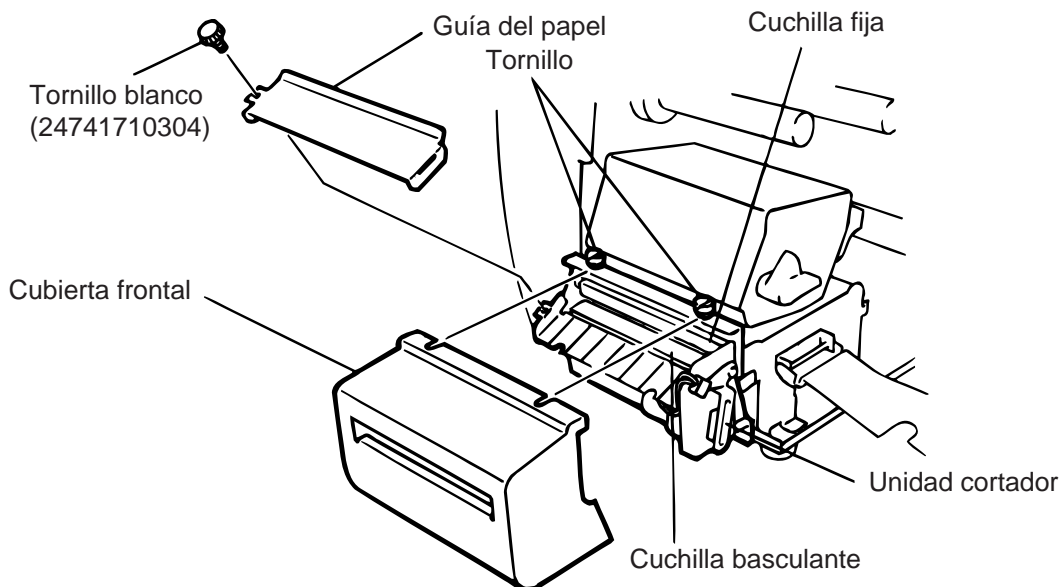


Fig. 9-3

5. Para volver a montar la unidad seguir los pasos anteriores en orden inverso.

■ Salvado automático de cinta

La función de ahorro de cinta se activa cuando no se imprime en un área de más de 17 mm. Respecto a esta función, por favor contacte con su representante TOSHIBA TEC más cercano.

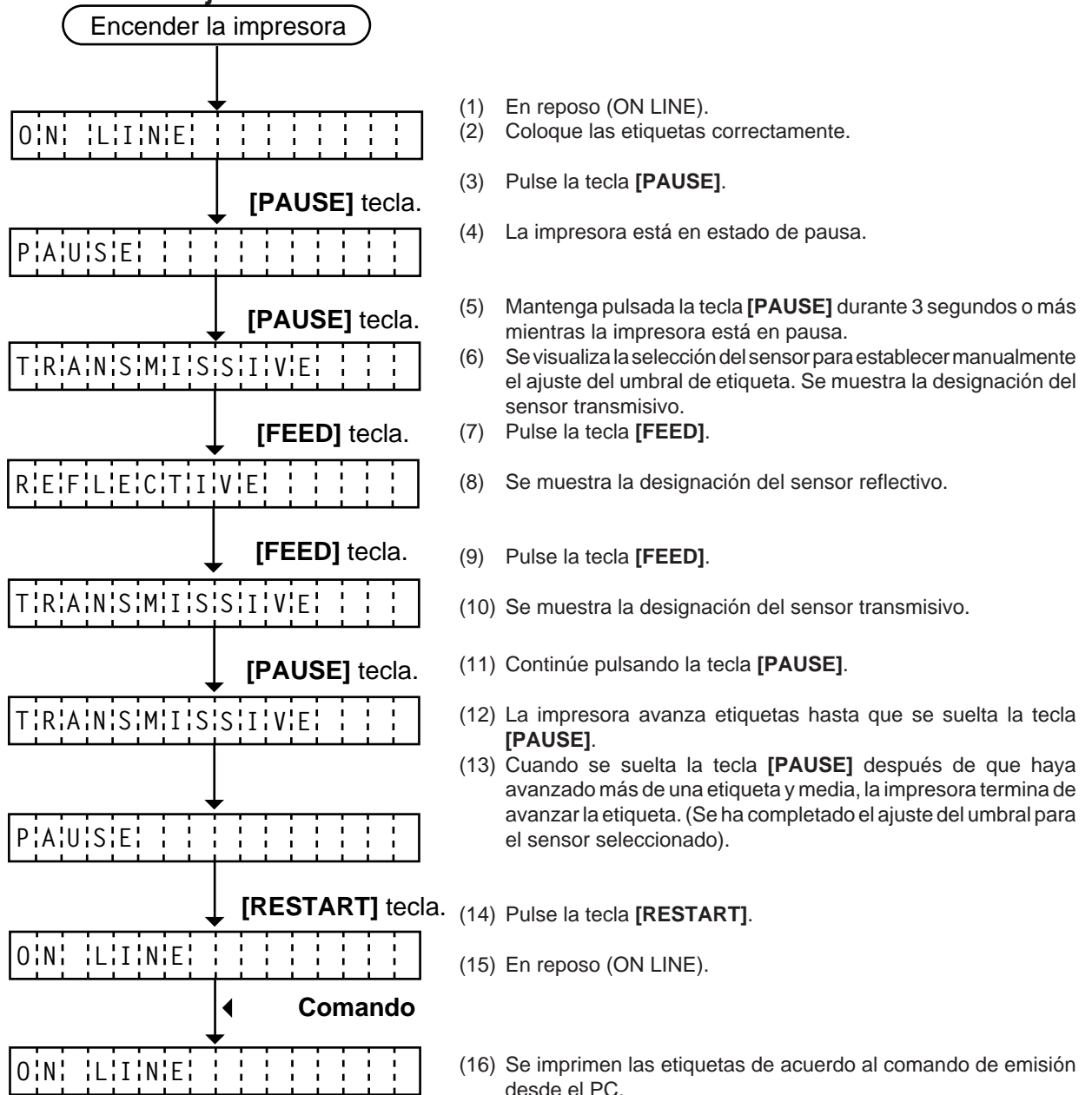
NOTA: Debido a la relación entre el diámetro de rebobinado de la cinta ya usada y la velocidad de impresión, la cantidad de cinta perdida por cada actuación del salvado automático se ilustra en la siguiente tabla:

Velocidad de impresión	Cinta perdida
3"/seg.	Approx. 5 mm
5"/seg.	Approx. 8 mm
8"/seg.	Approx. 17 mm

9.4 Configuración del umbral de etiqueta

Para empezar a imprimir etiquetas en una determinada posición, la cual va a ser fija, se usa el sensor de transparencia, el cual es usado para detectar el espacio entre etiquetas. Cuando usamos etiquetas pre-impresas, el sensor puede que no detecte bien la posición correcta en la cual se va a empezar a imprimir, en este caso se debe configurar el umbral del sensor de transparencia operando sobre el panel de la impresora.

■ Procedimiento de fijación del umbral



< Explicación adicional >

- (1) No tiene efecto la tecla **[PAUSE]** cuando se suelta la tecla **[PAUSE]** antes de que pasen 3 segundos con la impresora en pausa.
- (2) Cuando se configura el ajuste del umbral, se debe avanzar una etiqueta y media. (Si no es así, la configuración del umbral puede ser errónea. En este caso hay que reconfigurar).
- (3) No tiene efecto la tecla **[PAUSE]** cuando se pulsa la tecla **[PAUSE]** durante 3 segundos o más cuando el cabezal se encuentre levantado.
- (4) Durante el avance de las etiquetas, no se detectan errores de fin de papel, fin de cinta o error de cortador.

10. SOLUCION DE ERRORES

ATENCIÓN:

Se su problema no se encuentra entre los expuestos en este apartado, no intente resolverlo por si mismo. Apague, desenchufe la impresora y contacte con su distribuidor autorizado para solicitar asistencia. No intente repararla usted.

Mensaje de error	Problema	Solución
ATASCO PAPEL ****	<ol style="list-style-type: none"> 1. El papel no está colocado correctamente. 2. Al hacer un avance de papel, éste se ha arrugado. 3. El papel instalado no concuerda con el tipo de sensor seleccionado. 4. La marca negra del papel no está colocada en la posición del sensor. 5. El tamaño del papel instalado es distinto del programado. 6. El sensor de transparencia no distingue entre el área de impresión y los espacios entre etiquetas. 	<ol style="list-style-type: none"> 1. Coloque bien el papel y pulse la tecla [RESTART]. 2. Extraiga el papel atascado y coloque papel nuevo, luego pulse la tecla [RESTART]. 3. Apague la impresora y luego vuelvala a encender, configure la impresora para que concuerden el tipo de papel y el sensor. 4. Coloque el papel correctamente y pulse la tecla [RESTART]. 5. Apague la impresora y vuelvala a encender. Programe bien el tamaño del papel. 6. Realice la configuración de umbral. Para ello ver página 9-4. Apague y llame a su distribuidor autorizado.
CABEZAL ABIERTO ****	El cabezal de impresión está levantado cuando intentamos imprimir o hacer un avance de papel.	Coloque el cabezal correctamente y pulse la tecla [RESTART] .
SIN PAPEL ****	El papel no está colocado.	Cargar papel y pulsar la tecla [RESTART] .
SIN CINTA ****	La cinta no está colocada.	Colocar cinta en la impresora y pulsar la tecla [RESTART] .
REBOBI. LLENO ****	El rebobinador de papel soporte está lleno.	Quite el papel soporte acumulado y pulse la tecla [RESTART] .
TEMP. CABEZA ALTA	El cabezal de impresión está muy caliente.	Apague la impresora y baje la temperatura del cabezal.
ERROR CINTA ****	Falla alguna de las partes del sensor de cinta.	Apague y llame a su distribuidor autorizado.

Error Message	Problem	Solution
ERROR CORTAD ****	Papel atascado en la unidad cortadora.	Quite el papel atascado y coloque correctamente uno nuevo. Pulse la tecla [RESTART] . Apague y llame a su distribuidor autorizado.
ERROR ESCRITURA	Se ha producido un error al escribir en tarjeta flash o tarjeta ATA.	1. Apague la impresora e inserte de nuevo la tarjeta para volver a intentarlo. 2. Cambie de tarjeta e inténtelo de nuevo. 3. Apague y llame a su distribuidor autorizado.
ERROR DE FORMATO	Error al intentar formatear una tarjeta flash o tarjeta ATA.	1. Apague la impresora e inserte de nuevo la tarjeta para volver a intentarlo. 2. Cambie de tarjeta e inténtelo de nuevo. 3. Apague y llame a su distribuidor autorizado.
MEMORIA INSUFICI	No pueden salvarse más datos en tarjeta flash o tarjeta ATA.	Sustituya la tarjeta por una nueva. Envíe los datos desde donde se produjo el error. (En caso de tarjeta flash, sólo se pueden utilizar tarjetas de 1MB y 4MB.)
ERROR COMUNICACI	Error en el interface serie.	<u>Apague la impresora y vuelvala a encender, o presione la tecla [RESTART].</u> Revise su programa. Llame a su distribuidor autorizado si es necesario.
ejemplo) PC001; 0A00, Comando de error 0300, 2, 2	Cuando el programa del comando de comunicaciones produce un error, el código de comando muestra 16 bytes. ([LE] , [NULL] no se muestran)	Rectifique el comando y envíelo de nuevo.
Otro mensaje de error	Error de software y/o hardware.	Apague la impresora y vuelvala a encender. Si el problema persiste, apague y contacte con su distribuidor autorizado.

ATENCIÓN: Si un error no es eliminado pulsando la tecla **[RESTART]**, apague la impresora y vuelvala a encender. Cuando se vuelva a encender la impresora, los datos que iban a ser impresos se pierden.
La señal **** indica la cantidad de papel que no ha sido impreso.

Problema	Solución
No imprime	<ol style="list-style-type: none"> 1. Comprobar que el papel y la cinta estén colocados correctamente. 2. Confirmar que el cabezal de impresión se encuentra en la posición correcta. 3. Chequear que el cable del interfaz esté bien colocado.
Hay puntos que no se imprimen	Cabezal de impresión sucio. Límpiase el cabezal. Llame a su distribuidor autorizado si es necesario.
Impresión borrosa	<ol style="list-style-type: none"> 1. Cabezal de impresión sucio. Límpiase el cabezal. 2. Cinta defectuosa. Colóquese una cinta nueva. 3. Papel en mal estado. Cargue un papel nuevo.
La impresora no se enciende	<ol style="list-style-type: none"> 1. Compruebe que esté bien insertado el cable de alimentación a la red. 2. Observe la posición del interruptor. 3. Confirme que la tensión de alimentación sea la correcta. (Compruébelo colocando otra máquina). Llame a su distribuidor autorizado si es necesario.
No actúa el cortador	<ol style="list-style-type: none"> 1. Fíjese si la impresora está encendida. 2. Compruebe que no se ha atascado el papel en la unidad cortadora. Llame a su distribuidor autorizado si es necesario.
El papel se levanta en el corte	<ol style="list-style-type: none"> 1. Limpie las cuchillas. 2. Las cuchillas están calientes, deje que se enfríen. Llame a su distribuidor autorizado.

TEC

TEC Thermische Drukker

B-480-QP SERIES

Gebruikershandleiding

Samenvatting veiligheid

De veiligheid van personen tijdens het gebruik of het onderhoud van de uitrusting is van heel groot belang. Verwittigingen en voorschriften die nodig zijn voor een veilig gebruik werden opgenomen in deze handleiding. Alle verwittigingen en voorschriften die deze handleiding bevat moeten zorgvuldig gelezen en begrepen zijn alvorens deze uitrusting te gebruiken of te onderhouden.

Herstel of wijzig deze uitrusting niet zelf. Indien een fout zich voordoet dat niet kan verholpen worden met behulp van de werkwijzen die in deze handleiding beschreven worden, zet dan het toestel af, haal de stekker uit het stopcontact en stel u in verbinding met een erkende TOSHIBA TEC verdeler voor bijstand.

Betekenis van de symbolen



Dit symbool geeft aan dat het een waarschuwing betreft. Specifieke waarschuwingen zijn in de \triangle symbool getekend. (Het symbool links geeft een algemene waarschuwing.)



Dit symbool duidt op verboden handelingen (gebruiks-voorwerpen). Specifieke verboden handelingen en voorwerpen zijn in of bij het \odot symbool getekend. (Het symbool links betekent "verboden te demonteren".)



Dit symbool geeft aan dat bepaalde handelingen moeten worden uitgevoerd. Specifieke aanwijzingen worden met een \bullet symbool weergegeven. (Het symbool links betekent "haal de stekker uit het stopcontact")

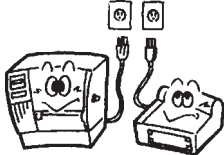


WAARSCHUWING

Duidt op groot gevaar voor **ernstige persoonlijke letsels** en mogelijk zelfs **doodsgevaar**.



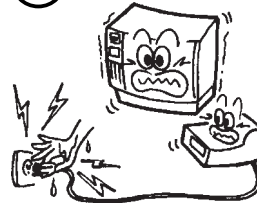
Verboden aan te sluiten op een andere spanning dan aangegeven (wisselstroom).



■ Sluit nooit aan op een andere spanning (wisselstroom) dan aangegeven op het voltage label. Een verkeerde spanning kan oorzak zijn van **brand** of **elektrische schokken**.



Verboden



■ Sluit geen toestel aan en haal geen stekker uit het stopcontact met natte handen. Dit levert een groot gevaar op voor **elektrische schokken**.



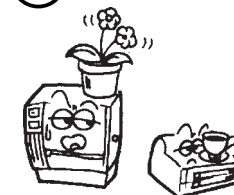
Verboden



■ Het aansluiten van verschillende toestellen op éénzelfde voeding kan leiden tot spanningsverschillen en bijgevolg een slechte werking van de toestellen. Gebruik dus een apart stopcontact voor elk toestel.



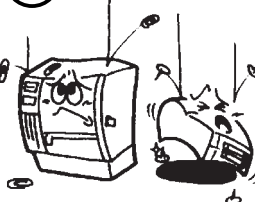
Verboden



■ Plaats geen metalen voorwerpen of bakjes met water zoals bloemenbazen, planten of glazen, op de machines. Er bestaat namelijk kans op **brand** of een **elektrische schok** indien metalen voorwerpen of vocht in de machines terecht komen.



Verboden



■ Steek geen metaal, ontvlambare of andere vreemde voorwerpen door de ventilatie-openingen. Dit kan brand of elektrische schokken teweegbrengen. Zorg er tevens voor dat zulke voorwerpen niet per ongeluk in de toestellen kunnen vallen.



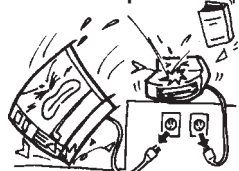
Verboden



■ Beschadig of wijzig de netsnoeren niet. Plaats geen zware voorwerpen op de snoeren, trek er niet aan en knik de snoeren niet. Dit alles kan aanleiding geven tot **elektrische schokken** en **brand**.



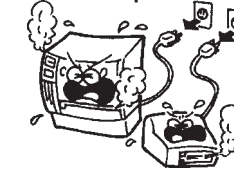
Haal de stekker uit het stopcontact.






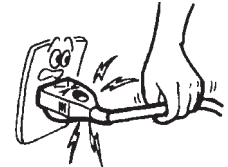

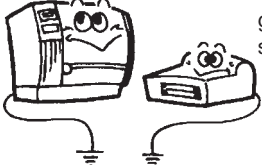

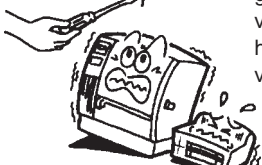
■ Zet het toestel af en haal vervolgens de stekker uit het stopcontact indien het toestel is gevallen of de behuizingen beschadigd zijn en stel u in verbinding met een erkende TOSHIBA TEC verdeler voor bijstand. Het gebruik van het toestel onder deze omstandigheden kan aanleiding geven tot **brand** of **elektrische schokken**.



Haal de stekker uit het stopcontact.



■ Doorlopend gebruik van toestellen onder abnormale omstandigheden, zoals rook- of geurontwikkeling houdt gevaar in voor brand en elektrische schokken. Indien iets niet in orde lijkt moet u het toestel onmiddellijk afzetten en de stekker uit het stopcontact halen. Laat u vervolgens bijstaan door een erkende TOSHIBA TEC verdeler.

 <p>Haal de stekker uit het stopcontact.</p>  <p>■ Zet het toestel af en haal vervolgens de stekker uit het stopcontact indien vreemde voorwerpen (metalen voorwerpen, vloeistoffen) in het toestel zijn gevallen en stel u in verbinding met een erkende TOSHIBA TEC verdeler voor bijstand. Het gebruik van het toestel onder deze omstandigheden kan aanleiding geven tot brand of elektrische schokken.</p>	 <p>Haal de stekker uit het stopcontact.</p>  <p>■ Trek niet aan het snoer om een stekker uit een stopcontact te halen. Dit kan het snoer beschadigen en de kerndraden blootleggen zodat gevaar voor brand en elektrische schokken ontstaat.</p>
 <p>Sluit een aarddraad aan.</p>  <p>■ Sluit steeds aan op een aarding. Verlengsnoeren moeten geaard zijn. Verlies van stroom kan aanleiding geven tot brand of elektrische schokken.</p>	 <p>Niet demonteren!</p>  <p>■ Verwijder geen kappen, herstel of wijzig het toestel niet zelf. U loopt gevaar op elektrische schokken of verwondingen t.g.v. een hoog voltage, hete onderdelen, scherpe randen die voorkomen in het toestel.</p>



LET OP

Duidt op groot gevaar voor **persoonlijke letsels** en beschadiging van de apparatuur.

Voorzorgen

Onderstaande voorschriften dragen bij tot een duurzame en goede werking van het toestel.

- Vermijd plaatsen die blootgesteld zijn aan volgende omstandigheden:

* Temperaturen zoals opgegeven (gespecificeerd)	* Rechtstreeks zonlicht	* Hoge vochtigheid
* Gemeenschappelijke elektrische voeding	* Trillingen	* Stof/gas
- Reinig de kappen met een doek die ondergedompeld werd in een zacht detergent en vervolgens goed uitgewrongen werd. Gebruik geen thinner of andere vluchtige middelen op de plastic kappen.
- Gebruik enkel door TOSHIBA TEC aanbevolen papier en linten.
- Bewaar geen papier of linten op plaatsen met rechtstreeks zonlicht, hoge temperaturen, vochtigheid, stof of gassen.
- De drukker moet gebruikt worden op een effen oppervlak.
- Gegevens opgeslagen in het geheugen van de drukker kunnen n.a.v. een fout verloren gaan.
- Sluit de drukker niet aan op dezelfde voeding als andere elektrische apparatuur, de spanning kan hierdoor wijzigen en aanleiding geven tot een verkeerde werking van het toestel.
- Haal de stekker uit het stopcontact voor elke handeling aan de binnenzijde van het toestel of wanneer u het toestel reinigt.
- Schakel de machine uit voor elke handeling aan de binnenzijde van de machine.
- Plaats geen zware voorwerpen op de machines daar deze voorwerpen mogelijk uit baalans zouden kunnen raken, omvallen en ongelukken veroorzaken.
- Voorkom oververhitting en mogelijk brand en blokkeer derhalve de ventilatie-openingen van de machines niet.
- Leun niet tegen het toestel. Het toestel kan op u vallen of kantelen en u verwonden. Leun niet tegen het toestel. Het kan op u vallen en u verwonden en/of defect worden.
- Let op het mes voor verwondingen.
- Haal de stekker uit het stopcontact wanneer het toestel lang niet gebruikt wordt.

Raadgeving betreffende het onderhoud

- Maak gebruik van onze onderhoudsdiensten.
Doe minstens éénmaal per jaar beroep op een TOSHIBA TEC verantwoordelijke om de binnenzijde van het toestel te laten reinigen. Een overdadige ophoping van stof in het toestel kan aanleiding geven tot brand of een verkeerde werking van het toestel.
- De onderhoudsdienst controleert en voert regelmatig de nodige werken uit teneinde een goede werking van het toestel te verzekeren en ongevallen te voorkomen.
Voor meer inlichtingen kunt u zich wenden tot een TOSHIBA TEC verantwoordelijke.
- Gebruik van insecticiden en andere chemicaliën.
Stel de drukker niet bloot aan insecticiden of andere vluchtige middelen. Deze producten kunnen de behuizing beschadigen of de verf aantasten.

INHOUDSTAFEL

	Pagina
1. INLEIDING	N1- 1
1.1 Omschrijving van het typenummer	N1- 1
1.2 Toebehoren	N1- 1
2. KENMERKEN	N2- 1
2.1 Drukker	N2- 1
2.2 Optie	N2- 2
2.3 Linten	N2- 2
2.4 Papier	N2- 3
3. OVERZICHT	N3- 1
3.1 Voor-en Achterzijde	N3- 1
3.2 Bedieningsbord	N3- 1
4. INSTALLATIE VAN DE DRUKKER	N4- 1
4.1 Connectie van het elektrisch snoer en de kabels	N4- 1
4.2 Bevestiging van de ventilator filter	N4- 1
5. HET LADEN VAN PAPIER	N5- 1
6. HET LADEN VAN LINT	N6- 1
7. HET INBRENGEN VAN DE PCMCIA BORD IN OPTIE	N7- 1
8. VOORZORGEN EN BEHANDELING VAN HET VERBRUIKSMATERIAAL	N8- 1
9. ONDERHOUD	N9- 1
9.1 Reiniging	N9- 1
9.2 Beschermingsvlakken en deksels	N9- 2
9.3 Papieropstopping	N9- 2
9.4 Instelling van de drempelwaarde	N9- 4
10. MOGELIJKE PROBLEMEN	N10- 1

WAARSCHUWING:

1. *Het is verboden deze handleiding volledig of gedeeltelijk te kopiëren.*
2. *De inhoud van deze handleiding kan zonder voorafgaande verwittiging gewijzigd worden.*
3. *Indien u vragen heeft of in geval van drukfouten, contacteer een erkende verdeler.*

1. INLEIDING

Wij feliciteren u met uw keuze voor een thermische drukker TEC B-480. Deze allernieuwste drukker heeft een uitstekende prijs/kwaliteitsverhouding. Hij is uitgerust met de meest vooruitstrevende technologie waaronder een drukkop die bijzonder duidelijke afdrukt met een hoge densiteit (12 punten/mm, 304.8 punten/inch) biedt tegen een snelheid van maximum 203.2 mm/sec. (8 inches/ sec.). Bovendien wordt de media verdeeld d.m.v. een ingesloten rol. Deze printer kan in optie uitgerust worden met een automatische lintbespaarder, een intern oprol/afpel mechanisme en een externe mediatoevoer.

Deze handleiding verschaft informatie over de algemene instelling en het onderhoud van de drukker. Wij raden u aan deze handleiding zorgvuldig door te nemen om een optimaal gebruik van uw drukker te bekomen. Grote aandacht werd besteed aan de veiligheid, zodat verkeerde handelingen de drukker niet kunnen beschadigen.

Bewaar deze handleiding zorgvuldig als referentie.

WARNING

This is a Class A product. In a domestic environment this product may cause radio interference in which case the user may be required to take adequate measures.

WAARSCHUWING

Let op voor kwetsuren en verplettering van uw vingers bij het openen en sluiten van kap.

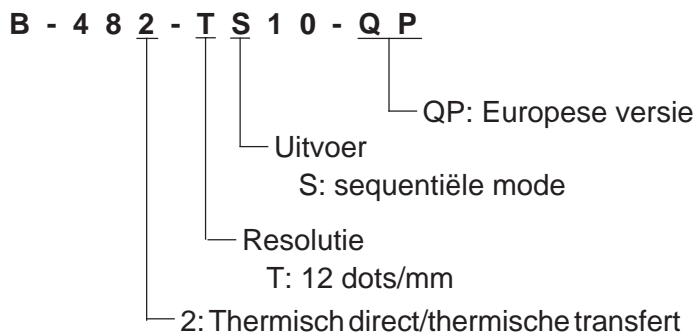
WAARSCHUWING

Reak geen bewegende delen aan. Plaats de schakelaar op OFF om elke beweging te stoppen en het risico dat vingers, juwelen, kleding enz. door een bewegend deel gevangen worden uit te sluiten.

1.1 Omschrijving van typenummer

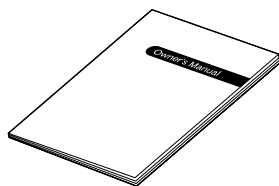
- B-482-TS10-QP

Beschrijving van de naam van het model:

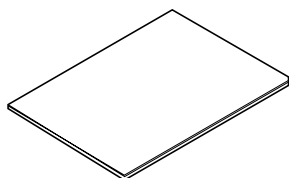


1.2 Toebehoren

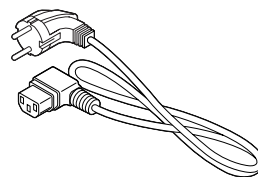
Gebruikershandleiding
(EO1-33007)



Uitpakkingsprocedure



Electrisch snoer



Filter ventilator
(FMBB0036801)



2. KENMERKEN

2.1 Drukker

Naam	Model	B-482-TS10-QP
Voeding		AC 220V ~ 240V +10%, -15%, 50Mhz
Verbruik		1.13A, 128W maximum (250mA, 23W: Standby)
Temperatuurslimiet		5°C ~ 40°C
Relatieve vochtigheid		25% ~ 85%RH (zonder condensatie)
Drukkop		Thermische drukkop (12 punten/mm)
Drukmethode		Thermisch direct/Thermische overdracht
Druksnelheid		76.2 mm/sec., 127 mm/sec., 203.2 mm/sec., 101.6 mm/sec. ... uitsluitend thermisch direct
Drukbreedte		104.0 mm
Verdeling van de etiketten		Batch, afpel mode, snijmode (De snijmode/afpelmode zijn enkel beschikbaar indien de drukker uitgerust wordt met een ingebouwd oprol- en afpelmechanisme.)
Scherm voor berichten		16 karakters x 1 lijn (LCD)
Afmetingen		291 mm (B) x 460 mm (D) x 308 mm (H)
Gewicht		17 kg
Bar kode formaat		JAN8, EAN8, JAN13, EAN13, UPC-A, UPC-B EAN8, EAN13, UPC-A, UPC-E + 2digit EAN8, EAN13, UPC-A, UPC-E + 5digit NW-7 CODE39 (STANDARD) CODE39 (FULL ASCII) ITF MSI CODE93 CODE128 EAN128 Data Matrix PDF417 QR Code industrial 2 of 5 Customer Bar Code POSTNET RM4SCC (ROYAL MAIL 4STATE CUSTOMERCODE) KIX CODE Maxi Code Micro PDF417
Lettertype		Times Roman (6 sizes), Helvetica (6 sizes), Presentation (1 size), Letter Gothic (1 size), Prestige Elite (2 sizes), Courier (2 sizes), OCR (2 types), Geschreven karakters (2 byte karakters zijn beschikbaar), Uitlijning (4 types), Prijskarakters (3 types)
Rotatie		0°, 90°, 180°, 270°
Interface standaard		Serieel (RS-232C) Parallel (Centronics)
Optie		I/O interface PCMCIA interface bord

2.2 Optie

Naam van de optie	Type	Functie	Oorsprong
Zwaames snijmodule	B-4205-QM	Een stop en zwaames snijdmodule.	Zie OPMERKING
Draaimes module	B-8204-QM	Draaimes.	
Apfelmodule	B-4905-H-QM	Deze module scheidt de etiketten van de papierhouder d.m.v. een vangblok en afpelblok. Door bevestiging van de oprol geleidersplaat worden het gemarkeerd karton en de etiketten opgewonden. U kunt deze afpelmodule aanschaffen bij een verdeler.	
Papierleider voor kettingpapier	B-4905-FF-QM	Uitsluitend voor kettingpapier	
Uitbreiding I/O interface bord	B-8700-IO-QM	Hiermee uitgerust kan de drukker aangesloten worden met een externe eenheid d.m.v. de exclusieve interface	
PCMCIA interface bord	B-8700-PC-QM	Dit bord laat het gebruik van volgende kaarten toe: <ul style="list-style-type: none"> • LAN kaart: 3 COM Ethernet connectie® (aanbevolen) 3 COM 3CCE589ET (aanbevolen) • ATA kaart: conform met ATA PC kaart standaard • Flash geheugenkaart: 1 MB en 4 MB kaart (zie p. 7-1) 	

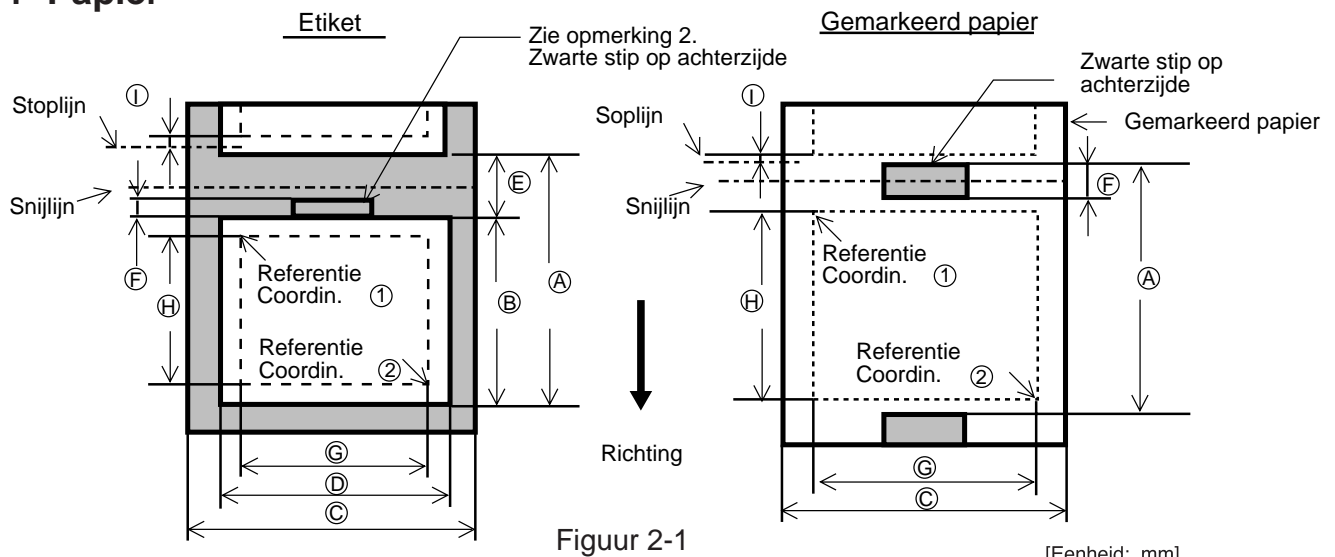
OPMERKING: Beschikbaar bij uw dichtstbijzijnde TOSHIBA TEC verdeler of TOSHIBA TEC hoofdzetel.

2.3 Linten

Type	Spoeltype
Breedte	68 mm ~ 112 mm
Lengte	600 m
Externe diameter	ø90 mm (max.)

- OPMERKING:**
1. Gecombineerde druk betekent dat de volgende etiket reeds aangemaakt wordt in geheugen terwijl de drukker de vorige etiket nog aan het drukker is.
 2. Gebruik steeds door TOSHIBA TEC aanbevolen papier en linten om een betere drukkwaliteit te te bekomen en de levensduur van de drukkop te verhogen.
 3. In snijmode moeten etiketten gebruikt worden waarvan de lengte \textcircled{B} vermeerderd mot de helft van de spatie met de volgende etiket groter is dan 35 mm. (zie p. 2-3)
 4. De rol etiketten die rond de oprolas gewonden wordt, moet een externe diameter hebben die kleiner is 180 mm.
 5. Indien met ruwe materie gebruikt en de lintbesparing is aangezet, kan dit leiden tot zwarte strepen op het etiket.

2.4 Papier



Figuur 2-1

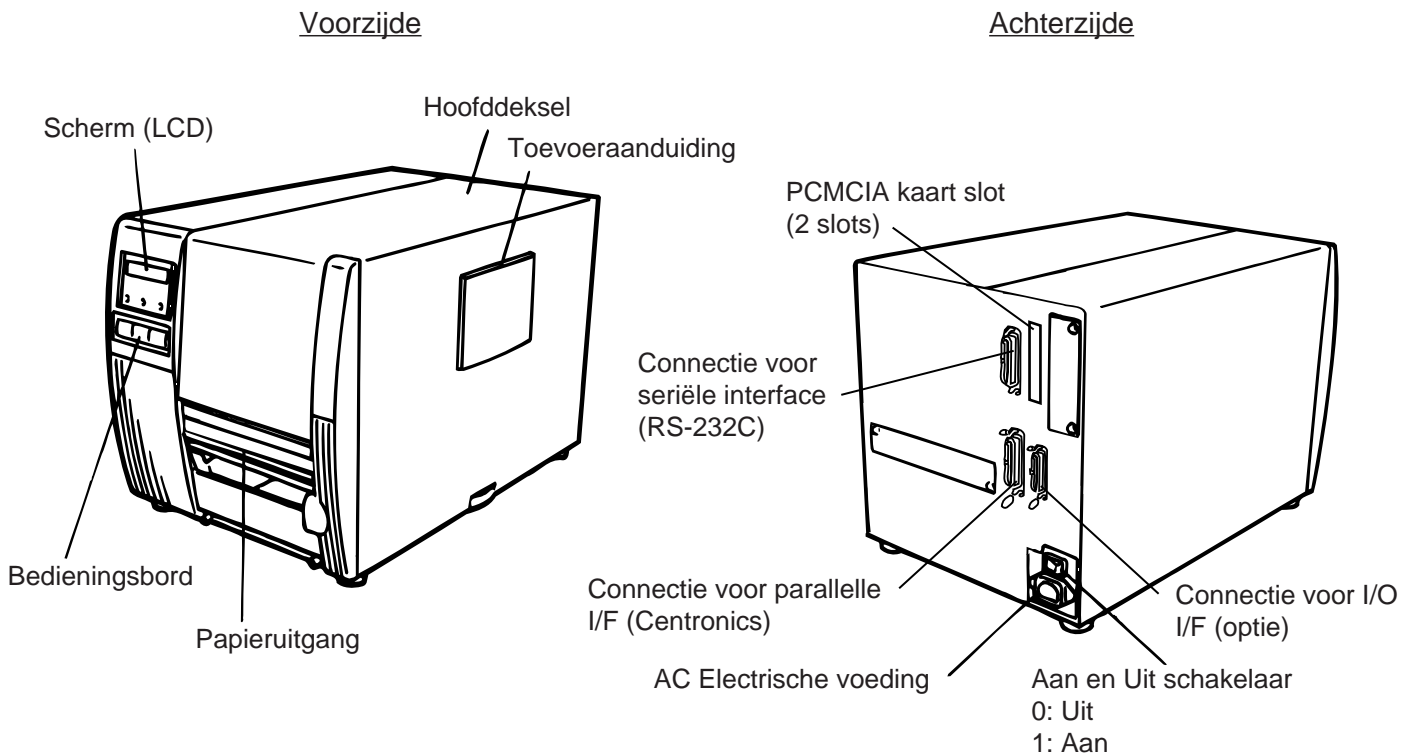
[Eenheid: mm]

Verdeling van de etiketten			Batch mode	Apfelmode	Snijmode			
					Draaimes		Zwaaimes	
Beschrijving					Drukkop-oggetid is UIT	Drukkop-oggetid is AAN		
					A : Spanwijdte van één etiket/gemarkeerd papier	Etiket	Min.	
Max.	2730,0							
Gemarkeerd papier	Min.	10,0	-	3"/sec.:30,0		4"/sec.:38,0	25,4	
	Max.	2730,0	-	5"/sec.:30,0		8"/sec.:38,0		
B : Lengte van één etiket		Min.	8,0	23,4	3"/sec.:81,0(*1)	3"/sec.:25,0	25,0 (*5)	
		Max.	2728,0		4"/sec.:85,0(*2)	4"/sec.:25,0		
C : Breedte van het gemarkeerd papier		Min.	50,8					
		Max.	112,0					
D : Breedte van een etiket		Min.	47,8					
		Max.	109,0					
E : Spatie tussen twee etiketten		Min.	2,0		6,0			
		Max.	20,0					
F : Afstand tussen twee zwarte stippen (Gemarkeerd papier)		Min.	2,0					
		Max.	10,0					
G : Werkelijke afdrukbreedte		Min.	10,0					
		Max.	104,0 ± 0,2					
H : Werkelijke afdruklengte	Etiket	Min.	6,0	21,4	3"/sec.:79,0	3"/sec.:23,0	23,0	
		Max.	2726,0					
	Gemarkeerd papier	Min.	8,0	-	3"/sec.:28,0	4"/sec.:28,0		23,0
		Max.	2726,0	-	5"/sec.:28,0	8"/sec.:36,0		
I : Druksnelheid opwaarts/neerwaarts			1,0					
Dikte	Etiket	Min. 130 µm, Max. 170 µm						
	Gemarkeerd papier	Min. 150 µm, Max. 290 µm						
Werkelijke lengte gecombineerde			1361,0					
Externe diameter			ø 200 Max.					

- OPMERKING:**
- Overige kenmerken van de media zijn ongewijzigd.
 - De lengte van het etiket moet in elk vernoemd geval aan volgende voorwaarden voldoen:
 - (*1) Uitvoer van een etiket met draaimes tegen een druksnelheid van 3"/sec.: 91,0 mm - (spatie tussen 2 etiketten/2) of meer.
 - (*2) Uitvoer van een etiket met draaimes tegen een druksnelheid van 4"/sec.: 95,0 mm - (spatie tussen 2 etiketten/2) of meer.
 - (*3) Uitvoer van een etiket met draaimes tegen een druksnelheid van 5"/sec.: 99,0 mm - (spatie tussen 2 etiketten/2) of meer.
 - (*4) Uitvoer van een etiket met draaimes tegen een druksnelheid van 8"/sec.: 110,0 mm - (spatie tussen 2 etiketten/2) of meer.
 - (*5) Uitvoer van een etiket met zwaaimes: 35,0 mm - (spatie tussen 2 etiketten/2)

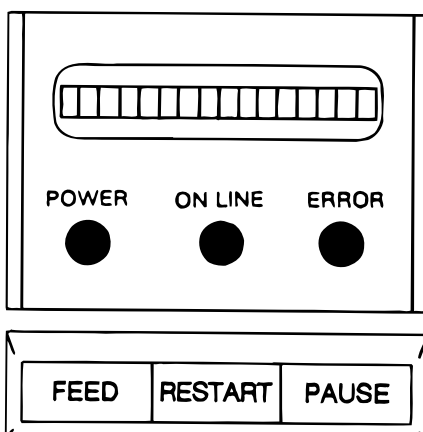
3. OVERZICHT

3.1 Voor - en Achterzijde



Figuur 3-1

3.2 Bedieningsbord



Figuur 3-2

LCD SCHERM

"In lijn" verschijnt op het scherm nadat de drukker aangezet wordt en gereed is voor het drukken.

POWER LED (Groen)

Licht op wanneer de drukker aangezet wordt.

ON-LINE LED (Groen)

1) Flickert wanneer de drukker in verbinding staat met een computer.

2) Licht op wanneer de drukker drukt.

ERROR LED (Rood)

Licht op bij een communicatie probleem, bij een tekort aan verbruiksmateriaal of wanneer de drukker niet werkt zoals het hoort.

FEED Toets

Om papier aan te voeren.

RESTART Toets

Start de printer opnieuw op na een pauze of fout. Wordt gebruikt om de papersensor in te stellen. (Zie pagina 9-4.)

PAUSE Toets

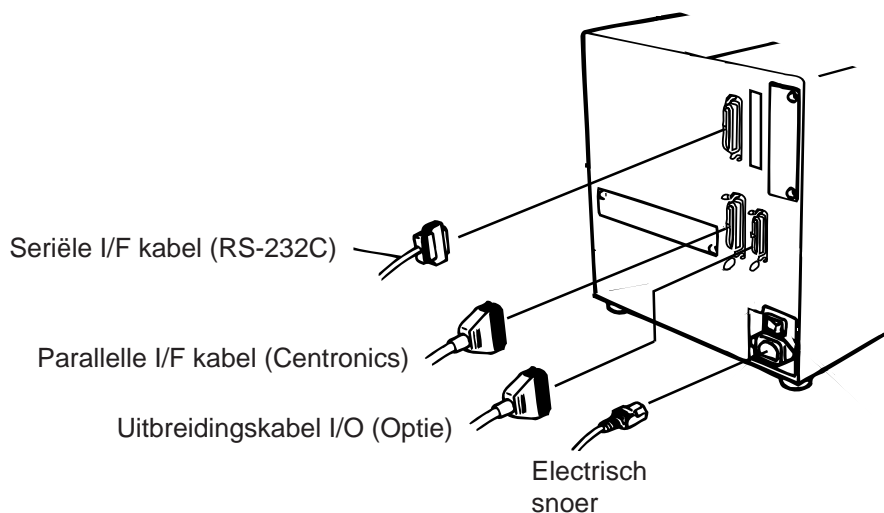
Om het drukken tijdelijk te stoppen. Het bericht "PAUSE" verschijnt op het scherm samen met het niet afgedrukt aantal. Wordt gebruikt om de papersensor in te stellen. (Zie pagina 9-4.)

4. INSTALLATIE VAN DE DRUKKER

4.1 Connectie van het elektrisch snoer en de kabels

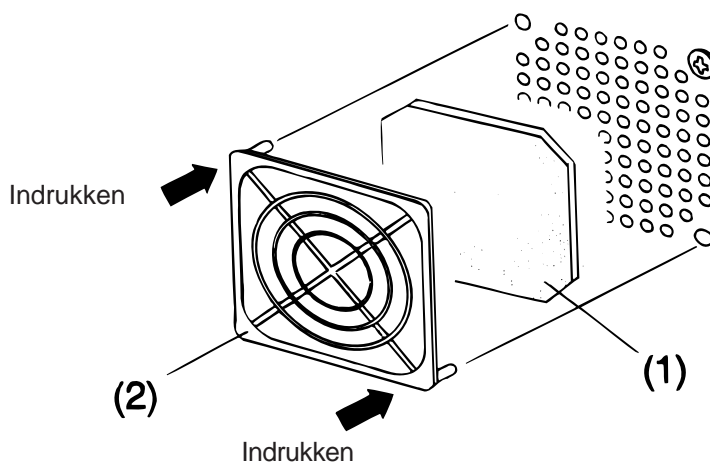
WAARSCHUWING:

Zet eerst de printer af (schakelaar op "OFF") om het elektrisch snoer en de kabels te installeren.



Figuur 4-1

4.2 Bevestiging van de ventilator filter



Figuur 4-2

Voor men de drukker gebruikt, is het belangrijk om na te gaan of de ventilator filter degelijk geplaatst werd.

De filter bestaat uit twee delen:

- (1) filterhouder
- (2) filtervilt

Plaats het vilt op de filterhouder en druk het geheel zoals hierboven wordt aangegeven, zodat de staafjes van de houder perfect in de gaatjes passen.

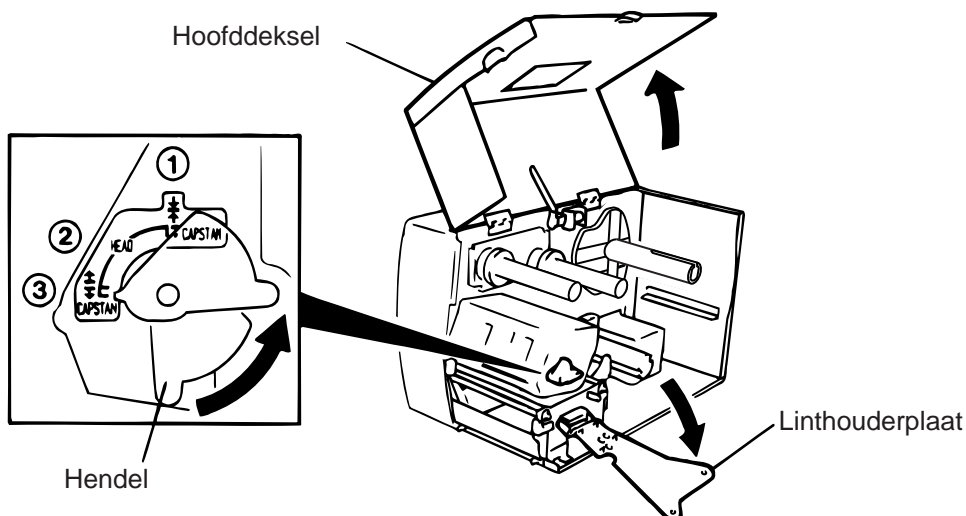
5. HET LADEN VAN PAPIER

WAARSCHUWING!

1. *Reak geen bewegende delen aan. Plaats de schakelaar op OFF om elke beweging te stoppen en het risico dat vingers, juwelen, kleding enz. door een bewegend deel gevangen worden uit te sluiten.*
2. *Let op voor kwetsuren en verplettering van uw vingers bij het openen en sluiten van de kap.*

De drukker kan zowel etiketten als gemarkeerd papier bedrukken.

1. Zet de drukker af en open het deksel.
2. Breng de drukkophendel op positie ③ en maak vervolgens de linthouderplaat vrij.

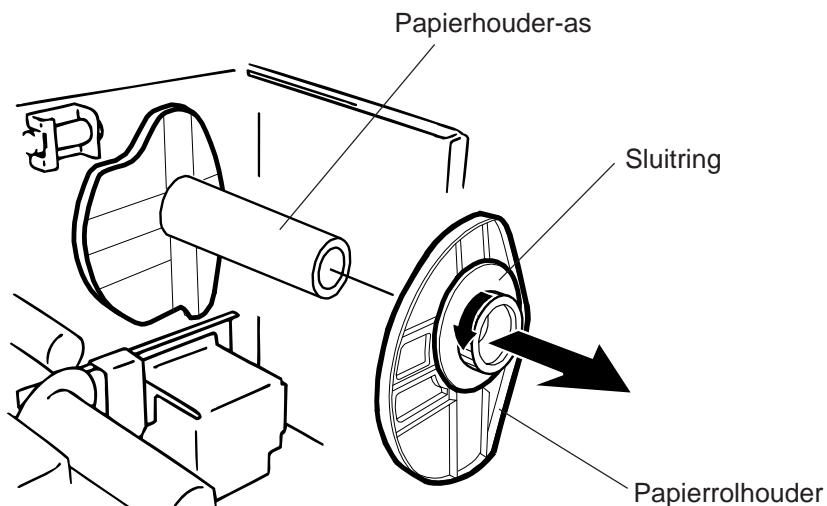


Figuur 5-1

- OPMERKINGEN:**
1. *De drukkop opent zich op het ogenblik dat de drukkophendel op positie ② gebracht wordt.*
 2. *De drukkop en de rolknijper openen zich op het ogenblik dat de drukkophendel op positie ③ gebracht wordt.*
 3. *De drukkophendel moet op positie ① staan om af te drukken. (In deze positie liggen de drukkop en de knijper vast.)*

3. Draai de sluitring tegenwijzerszin en verwijder de mediahouder van de voedingsas.

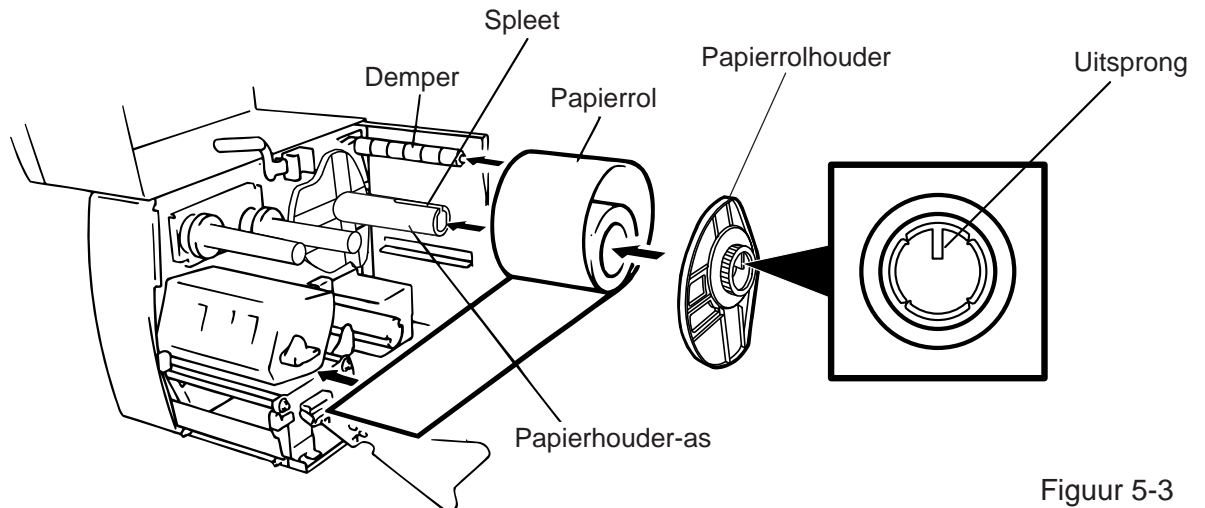
OPMERKING: *Draai de sluitring niet te ver tegenwijzerszin of de ring zal van de mediahouder afglijden.*



Figuur 5-2

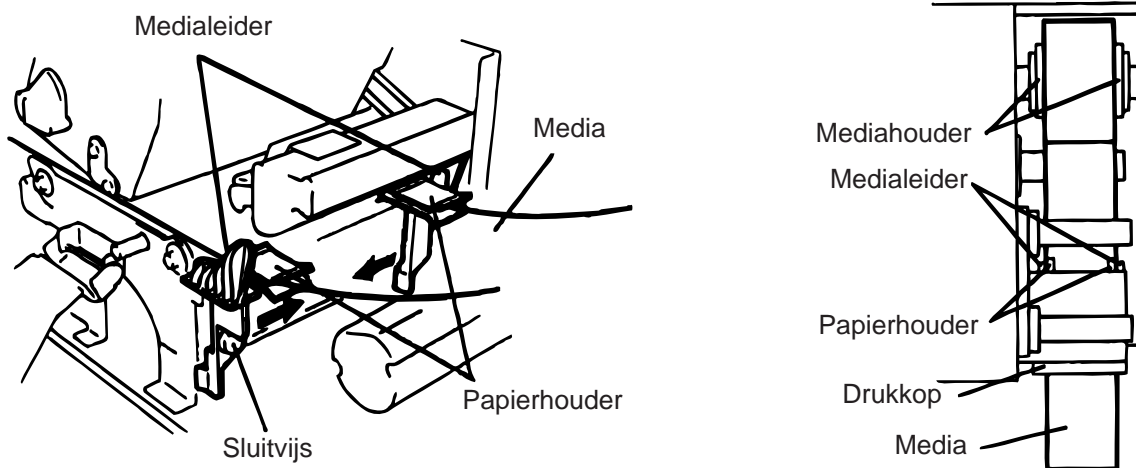
4. Breng het papier op de papierhouder-as.
5. Plaats het papier rond de trekregelaar, trek dan het papier naar de voorkant van de printer tot onder de printkop. Bevestig de andere papierrolhouder.
6. Duw de uitsprong van de mediahouder in de spleet van voedingsas tot de media niet meer kan bewegen. Draai vervolgens de sluitring wijzerszin om de mediahouder vast te maken. Hierbij wordt de media automatisch gecentreerd.

OPMERKING: Draai de sluitring van de mediahouder niet te vast.



Figuur 5-3

7. Breng de media tussen de papierhouders van de medialeider. Regel de medialeiders in functie van de breedte van de media en draai de desbetreffende vijs vast.
8. Zorg ervoor dat het papier vanaf het begin tot het einde in een rechte lijn doorgevoerd wordt.



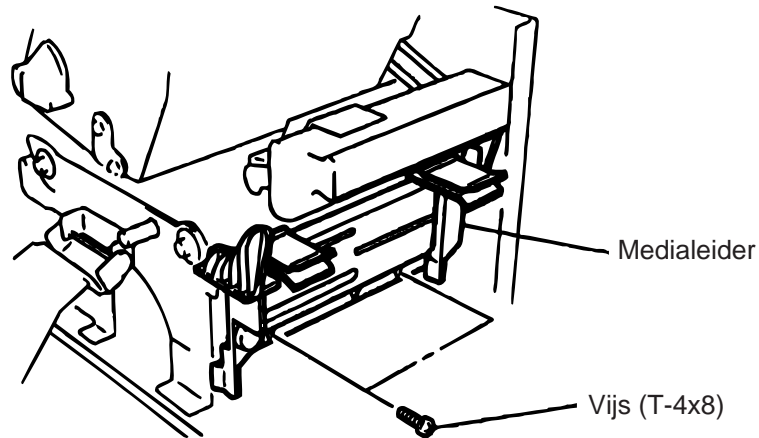
Figuur 5-4

OPMERKING: Indien de etiketten op de buitenkant van de rol staan, moeten de bovenplaten van de twee papierhouders verwijderd worden d.m.v. volgende procedure, zoniet is het risico op papieropstopping groot.

Mocht u vragen hebben, stel u in verbinding met uw TOSHIBA TEC verantwoordelijke.

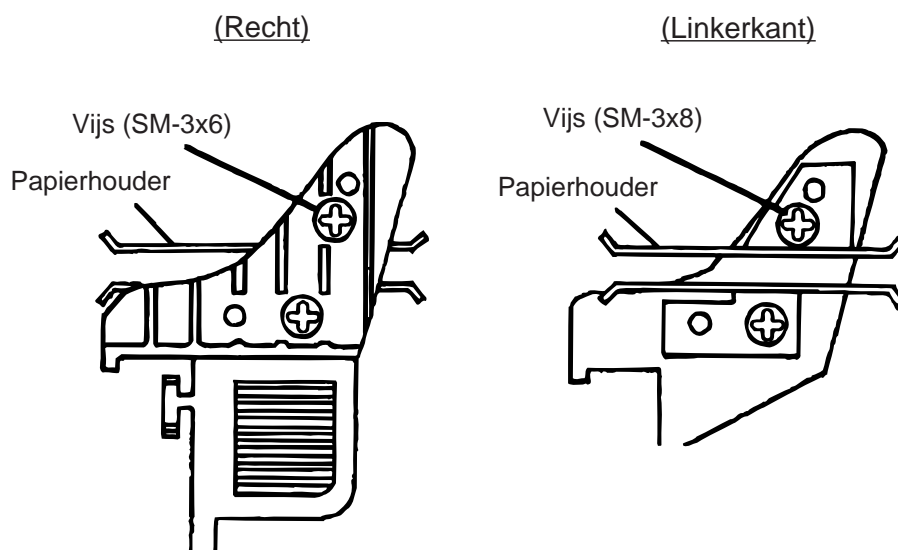
■ Verwijdering van de bovenplaten van de papierhouders op de medialeider

- ① Verwijder de twee T-4 X 8 vijzen om de medialeider los te maken van de drukker.



Figuur 5-5

- ② Verwijder de SM-3 x 6 of SM-3 x 8 vijzen om de platen van de papierhouders los te maken van de medialeider.



Figuur 5-6

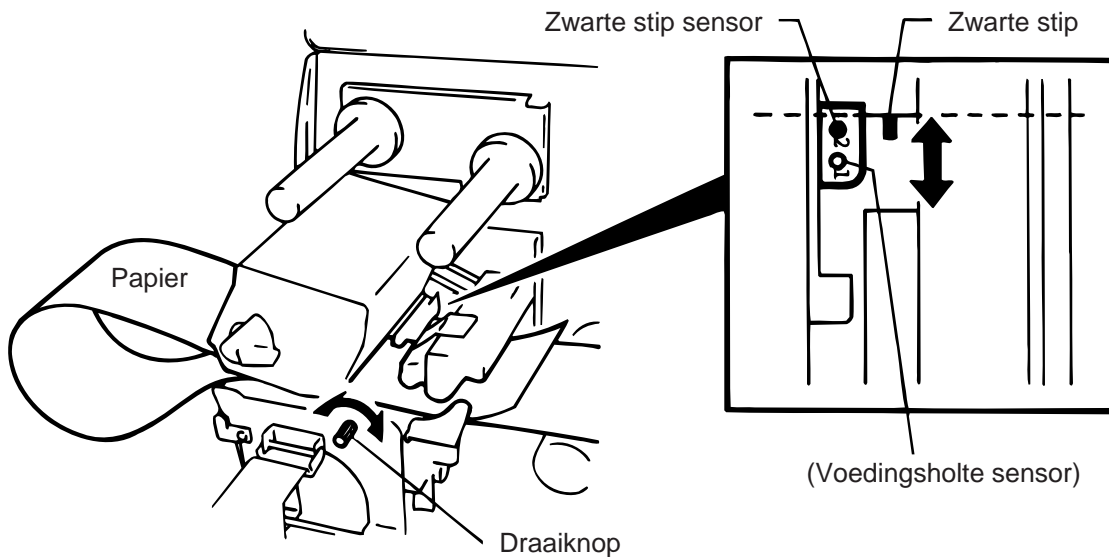
- ③ Zet de medialeider terug op zijn plaats.

OPMERKING: Verlies de verwijderde bovenplaten vooral niet. Ze zijn nodig indien rollen met de etiketten naar binnen gebruikt worden.

9. Stel de papiersensor in. Draai de knop naar rechts om hem naar voor te schuiven of naar links om hem naar achter te schuiven.

■ Instellingsprocedure van de zwarte stip sensor

- ① Voer ongeveer 500 mm papier uit de drukker, vouw het om en duw het uiteinde onder de drukkop tot aan de papersensor.
- ② Stel de sensor in op het centrum van de zwarte stip (de bovenste holte stemt overeen met de positie van de sensor).

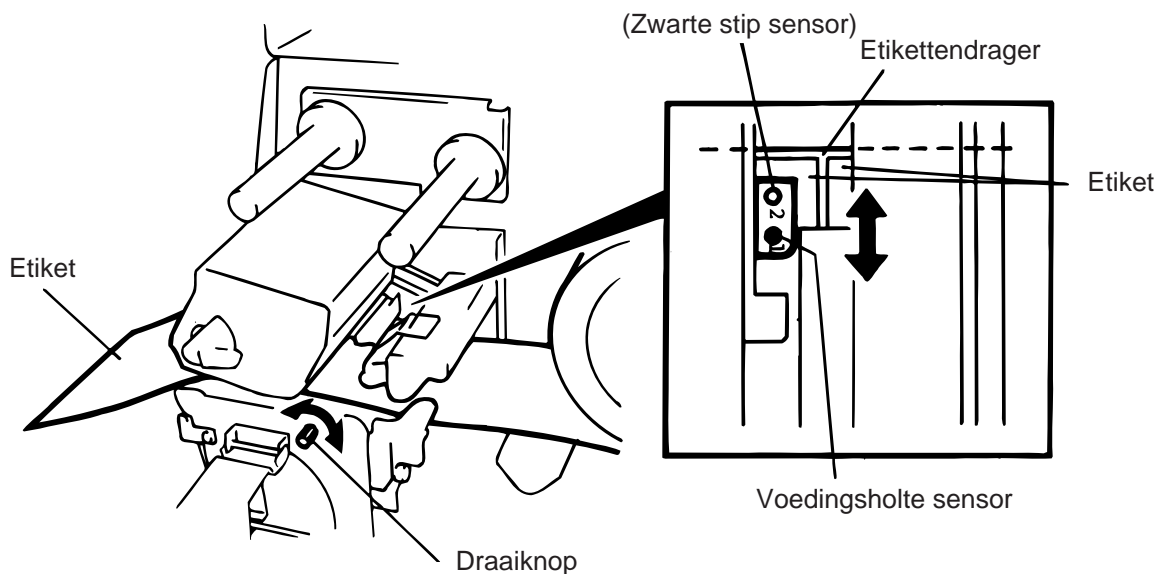


Figuur 5-7

OPMERKING: De zwarte stip sensor moet ingesteld staan op het centrum van de zwarte stip anders is kans op papieropstopping.

■ Instellingsprocedure van de voedingsholte sensor

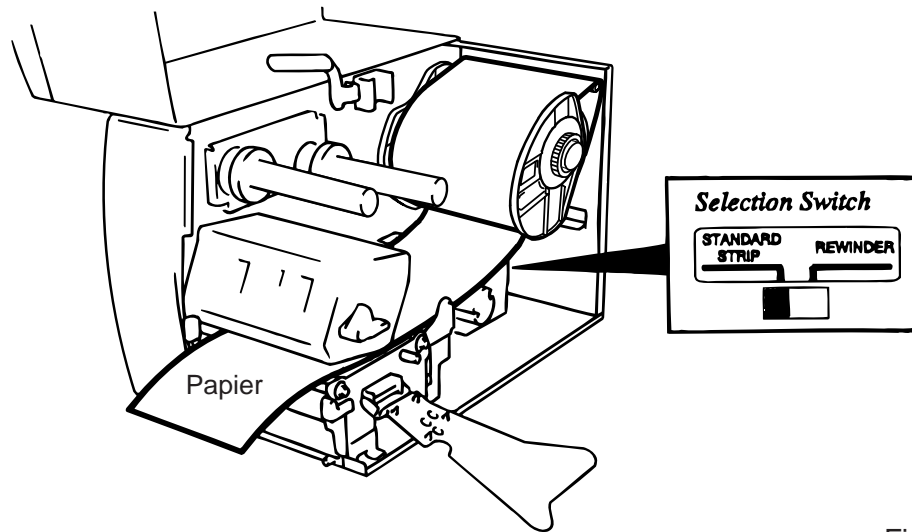
- ① Stel de voedingsholte sensor in op de voedingsholte. (De onderste holte stemt overeen met de positie van de sensor.)



Figuur 5-8

10. Het laden van het papier en de instelling van de papiersensor zijn voltooid.

Batch type:

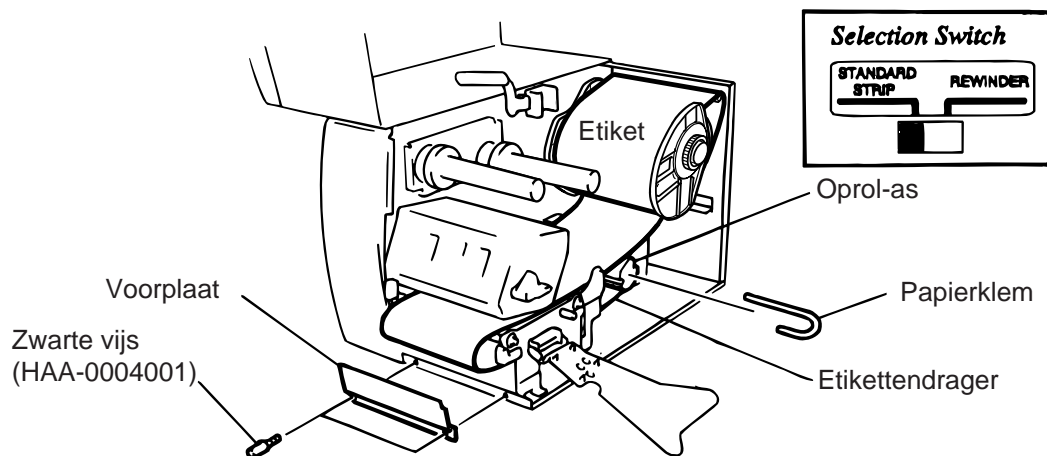


Figuur 5-9

OPMERKING: Plaats de selektieschakelaar op de STANDARD/STRIP positie.
Een ongeschikte positionering kan de drukkwaliteit nadelig beïnvloeden.

Afpel type:

- ① Strip alle etiketten van de etikettendrager over een lengte van 500 mm.
- ② Draai de etikettendrager rond de oprol-as (tegenwijzerszin). Maak de etikettendrager vast op de oprol-as door middel van de papierklem.
- ③ Draai de papierdrageras enkele malen tegenwijzerszin om de etikettendrager degelijk op te spannen.



Figuur 5-10

OPMERKING:

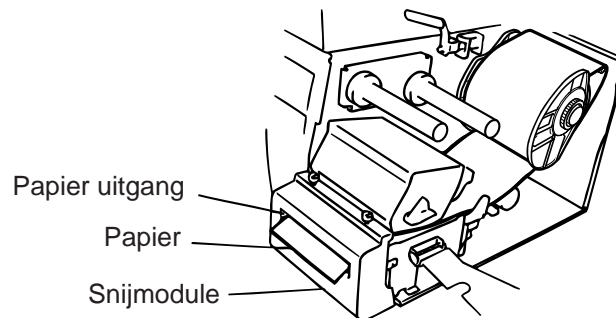
1. De etikettendrager is gemakkelijker in te brengen als het voorpaneel weggenomen wordt.
2. Plaats het langste gedeelte van de papierklem in de gleuf die zich op de oprol-as bevindt.
3. Plaats de selektieschakelaar op de STANDARD/STRIP positie.

Snijtype: Indien de drukker met een mes uitgerust is, wordt de media volgens de standaardprocedure geladen en aangevoerd door de snijmodule. Het zwaaimes en het draaimes zijn in optie beschikbaar.

Ze worden op dezelfde manier gebruikt, ongeacht verschillende afmetingen.

Hierna, vindt u de werkwijze voor het laden van media met gebruik van een zwaaimes.

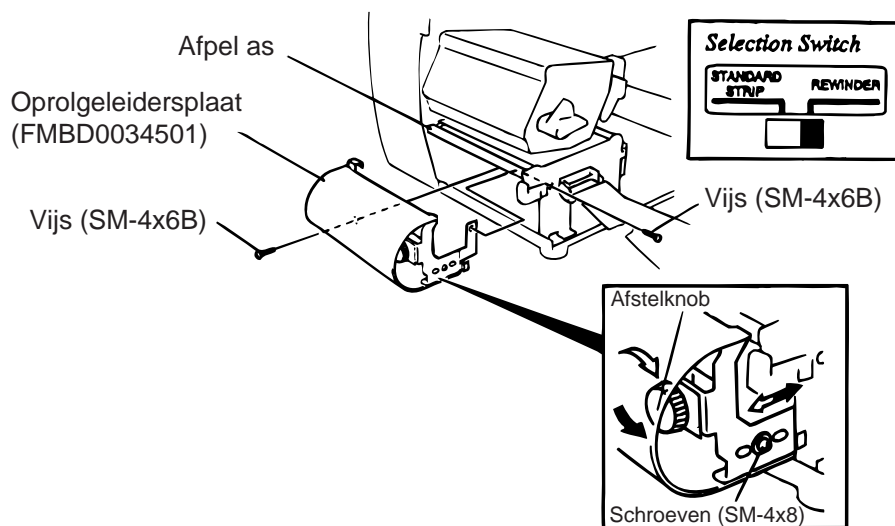
- OPMERKING:**
1. *Let er voor op dat de drager meegesneden wordt. Indien lijm van de etiketten op het mes blijft plakken, heeft dit schadelijke gevolgen voor zijn levensduur en kwaliteit.*
 2. *Indien de bovenste rand van het etiket zich rond de drukrol windt, moet u zich in verbinding stellen met een TOSHIBA TEC verantwoordelijke.*
 3. *Voor het model met cutter mag de selektieschakelaar op beide posities geplaatst worden.*



Figuur 5-11

Ingebouwd oprol type:

- ① Verwijder twee zwarte vijzen en het voorpaneel.
- ② Plaats de oprolplaat tegen de afpelgleuf en bevestig de plaat d.m.v. de twee vijzen.



Figuur 5-12

OPMERKING: Plaats de selektieschakelaar op de REWINDER positie.

- ③ Vervolg met zelfde procedure als afpel type.
- ④ Afstelling

Indien de etiketten in de horizontale richting verlopen, moet de volgende afstelling uitgevoerd worden:

- * Verloop naar rechts:
Draai de SM-4x8 schroef los met een schroevendraaier. Draai de afstelknop wijzerzin, totdat het papier recht loopt, en zet de schroef vast.
- * Verloop naar links:
Draai de SM-4x8 schroef los met een schroevendraaier. Draai de afstelknop tegenwijzerzin, totdat het papier recht loopt, en zet de schroef vast.

6. HET LADEN VAN LINT

WAARSCHUWING:

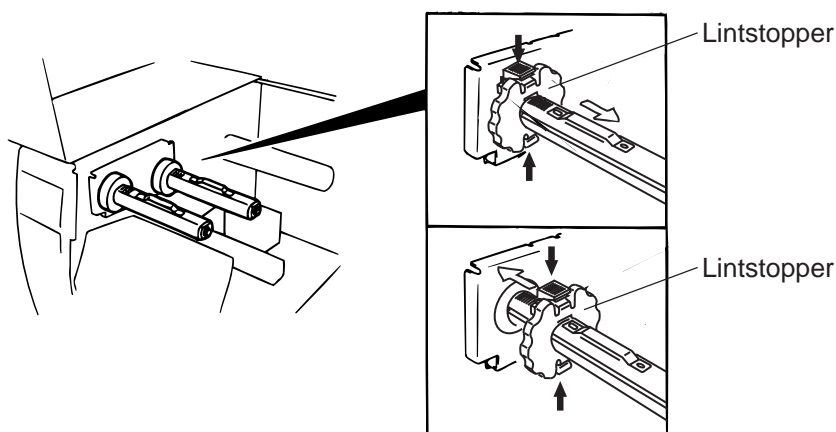
1. *Reak geen bewegende delen aan. Plaats de schakelaar op OFF om elke beweging te stoppen en het risico dat vingers, juwelen, kleding enz. door een bewegend deel gevangen worden uit te sluiten.*
2. *Let op voor kwetsuren en verplettering van uw vingers bij het openen en sluiten van de kap.*

Twee soorten papier kunnen gebruikt worden : standaard papier en thermisch papier. LAAD NOOIT geen lint als thermisch papier gebruikt wordt.

1. Als een smal lint gebruikt wordt, moeten de lintstoppers op de breedte van het lint ingesteld worden door ze naar voor te glijden.

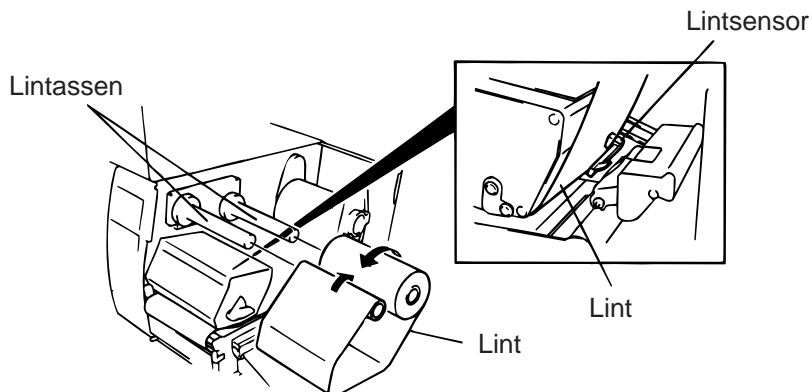
De lintstoppers komen los door ze met 90° te verdraaien. Draai de lintstoppers weer vast op dezelfde manier.

OPMERKING: *Wanneer de lintstoppers gebruikt worden, bevestig deze dan in de korrekte positie op de as I.*



Figuur 6-1

2. Ontspan het lint en laad het zoals vermeld op de figuur. Het lint moet tussen de lintsensor liggen.
3. Draai de lintassen naar binnen om het lint op te spannen.



Figuur 6-2

4. Plaats de linthouderplaat terug in rechte lijn met de linthouder.
5. Draai de drukkophendels wijzerszin om de drukknop naar omlaag te brengen.
6. Sluit het hoofddekseel.

7. HET INBRENGEN VAN DE PCMCIA BORD IN OPTIE

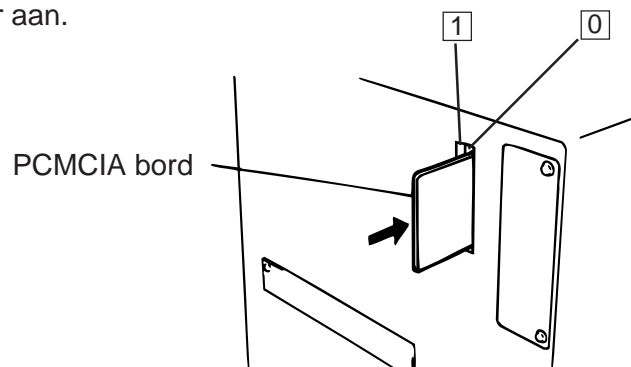
VERWITTIGING!

Zet de drukker af wanneer u het bord inbrengt of weghaalt.

LET OP:

Om de kaart te beschermen, verwijdert u best de statische elektriciteit van uw lichaam door de achterkap van de printer aan te raken, voor u het PCMCIA bord in handen neemt.

1. Zet de drukker af.
2. Zet het PCMCIA bord in het slot aan de achterzijde van de printer.
3. Zet de drukker aan.



Figuur 7-1

- OPMERKINGEN:**
1. Plaats het PCMCIA bord in de beschermhoes wanneer het zich niet in de printer bevindt.
 2. Vermijd druk- en schokbewegingen bij de behandeling van de flash geheugen kaart.
 3. Vermijd blootstelling van de kaart aan te hoge temperaturen afkomstig van zonlicht of verwarmings-toestellen.
 4. Vermijd blootstelling van de flash geheugen kaart aan vochtigheid door haar te wrijven met een natte doek of haar achter te laten in een vochtige ruimte.
 5. De drukker moet steeds afgezet worden alvorens de flash geheugen kaart in en uit haar slot te halen.
 6. Volgende flashkaarten kunnen gebruikt worden. (De 1 MB flashkaart is "read only", de 4 MB flashkaart is respectievelijk "read/write").

Vermogen	Maker	Type	Code toestel	Code maker
1M Byte	Maxell	EF-1M-TB <u>AA</u>	D0H	1CH
	Mitsubishi	MF81M1-GBDAT01		
4M Byte	Maxell	EF-4M-TB <u>CC</u>	88H	B0H
	Maxell	EF-4M-TB <u>DC</u>	ADH	04H
	Centennial Technologies INC.	FL04M-15-11119-03		01H
	INTEL	IMC004FLSA	A2H	89H
	Simple TECHNOLOGY	STI-FL/4A		
	Mitsubishi	MF84M1-G7DAT01		
	PC Card KING MAX	FJN-004M6C		
	PC Card	FJP-004M6R	A0H	89H

7. Plaats de LAN kaart in het slot (1).

8. VOORZORGEN EN BEHANDELING VAN HET VERBRUIKSMATERIAAL

WAARSCHUWING

Lees aandachtig deze handleiding en zorg ervoor dat de inhoud goed begrepen werd. Gebruik enkel de door TOSHIBA TEC aanbevolen media en etiketten. Het gebruik van andere media/etiketten kunnen aanleiding geven tot onleesbare barkodes en beschadiging van de drukkop. De gebruikte media moet zich in een perfecte staat bevinden. Beschadigd materiaal kan aanleiding geven tot onleesbare barkodes en beschadiging van de drukkop. Lees aandachtig de volgende richtlijnen.

- Eerbiedig de aanbevolen opbergtermijn.
- De rollen moeten op hun vlakke zijden opgeborgen worden. Vervormd materiaal kan aanleiding geven tot een slechte mediavoeding en een slechte drukkwaliteit.
- Bewaar het materiaal in een plastic zakje dat steeds zorgvuldig wordt afgesloten. Het materiaal moet beveiligd worden tegen stof en vuiligheid. Stof en vuiligheid kunnen vroegtijdige slijtage van de drukkop tweekbrengen.
- Bewaar het materiaal koel en droog. Vermijd lokaties blootgesteld aan rechtstreeks zonlicht, hoge temperaturen, vochtigheid, stof en gassen.
- Het thermisch papier gebruikt voor thermische druk mag de volgende waarden niet overschrijden: Na⁺ 800 ppm, K⁺ 250 ppm en CL⁻ 500 ppm.
- De samenstelling van sommige inktsoorten op voorgedrukte etiketten kan chemische bestanddelen bevatten die de levensduur van de drukkop kunnen beïnvloeden. Gebruik geen voorgedrukte etiketten met inktsoorten die harde componenten zoals Calcium Carbonate (CaCO₃) en kaolin (Al₂O₃, 2SiO₂, 2H₂O) inhouden.

Voor meer informatie, kunt u zich wenden tot de leverancier van uw drukker of media.

9. ONDERHOUD

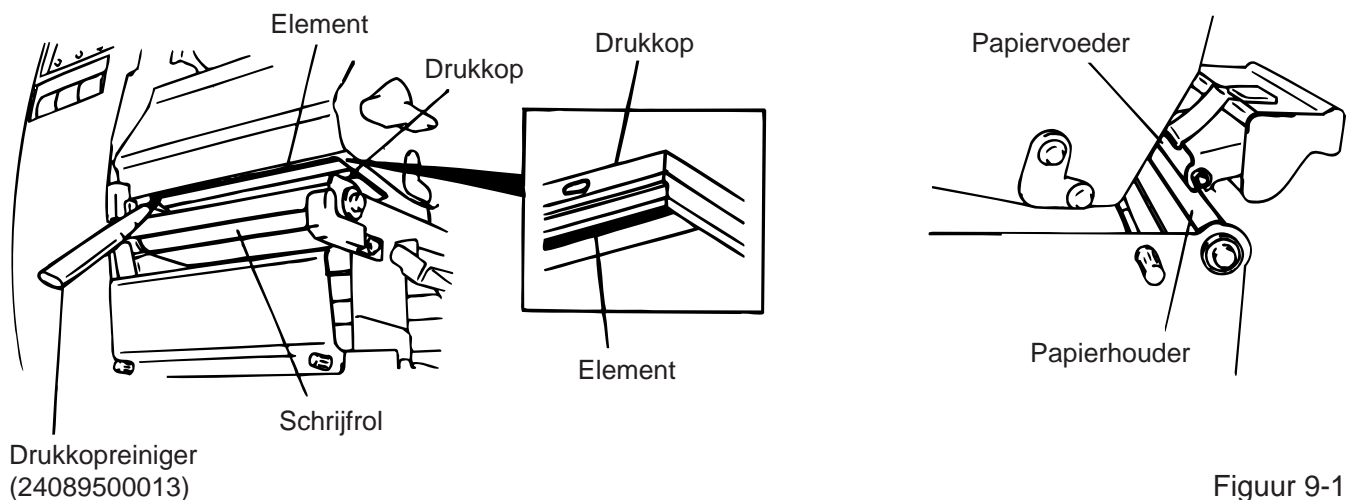
WAARSCHUWING!

1. Wees voorzichtig, de drukkop kan zeer heet worden.
2. Let op het mes voor verwondingen.
3. Reak geen bewegende delen aan. Plaats de schakelaar op OFF om elke beweging te stoppen en het risico dat vingers, juwelen, kleding enz. door een bewegend deel gevangen worden uit te sluiten.
4. Let op voor kwetsuren en verplettering van uw vingers bij het openen en sluiten van de kap.

9.1 Reiniging

Reiniging van het materiaal is nodig om de goede kwaliteit van het materiaal te bewaren. Naargelang de intensiteit van het gebruik moet het materiaal elke dag of een maal per week onderhouden worden

1. Zet de drukker af.
2. Open het deksel.
3. Maak de drukkop los door middel van de hendels.
4. Verwijder lint en papier.
5. Reinig de drukkop met de drukkopreiniger.
6. Reinig de schrijfrol, de papierdragers en houders met behulp van een met alcohol bevochtigde doek. Verwijder stof of ander vuil dat zich aan de binnenkant van de drukker zou bevinden.



Figuur 9-1

WAARSCHUWING!

1. Haal de stekker uit het stopcontact, alvorens de drukker te reinigen.
2. Gebruik geen voorwerpen die de drukkop zouden kunnen beschadigen.
3. Vermijd rechtstreeks contact van de drukker met water.

9.2 Beschermingsvlakken en deksels

Reinig de buitenzijde van de drukker met een droge doek of een doek die lichtjes met reinigingsmiddel werd bevochtigd.

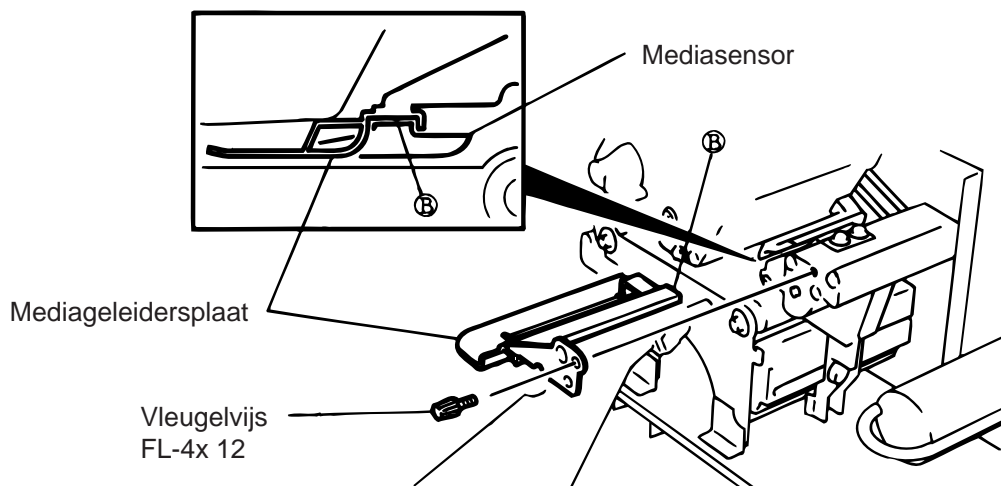
OPMERKING: *Reinig het deksel van de drukker met een antistatisch reinigingsmiddel voor het onderhoud van geautomatiseerd bureaumateriaal.*

WAARSCHUWING!

1. Vermijd rechtstreeks contact met water.
2. Vermijd rechtstreeks contact met een reinigingsmiddel of detergent.
3. Gebruik nooit geen thinner of ander vluchtige oplossingsmiddelen voor de reiniging van het plastic gedeelte.
4. Reinig nooit de buitenkant van de printer met alcohol. Dit kan verkleuring, vervorming of aantasting van de structuur van het materiaal veroorzaken.

9.3 Papieropstopping

1. Zet de drukker af.
2. Open het deksel.
3. Draai de drukkophendel op de positie ③ en verwijder de linthouderplaat.
4. Verwijder de vleugelvijs teneinde de mediageleidersplaat vrij te maken. (Zie figuur 9-2)
5. Verwijder lint en papier.
6. Verwijder het papier dat vastgelopen is. Gebruik geen voorwerpen die de drukker kunnen beschadigen om het papier los te trekken.
7. Indien nodig, verwijder stof of ander vuil.
8. Plaats portie ② van de media leidplaat op de media sensor. Bevestig de media leidplaat d.m.v. de vleugelvijs.



Figuur 9-2

9. Bij gebruik van de snijmodule kan papieropstopping het gevolg zijn van slijtage van het mes of kleverige stof op het mes. Gebruik geen etiketten die buiten de standaard vallen met het mes. Contacteer een erkende dienstverdelers indien papieropstopping ter hoogte van het snijkontakt veelvuldig voorkomt.

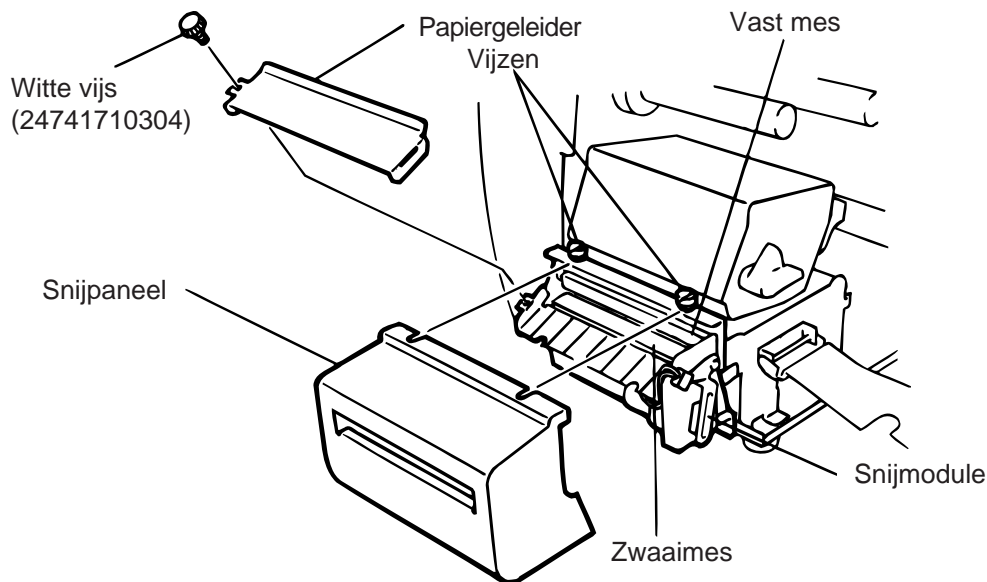
■ Reiniging van de snijmodule

WAARSCHUWING!

1. Zet de drukker steeds af om de snijmodule te reinigen.
2. Let op het mes voor verwondingen.

Het zwaaimes en het draaimes zijn beschikbaar in optie. Ze worden op dezelfde wijze gereinigd ongeacht verschillende afmetingen. Hierna vindt u de werkwijze voor de reiniging van het snijmes met de installatie van het zwaaimes.

1. Maak twee vijzen los en verwijder het snijpaneel.
2. Verwijder de witte vijs en de papierleider.
3. Verwijder het vastgelopen papier en vuiligheid.
4. Reinig het mes met een droge doek.



Figuur 9-3

5. De montage geschiedt in omgekeerde volgorde.

■ Automatische lint spaarmode

De automatische lint spaarfunctie wordt actief wanneer de zone die niet bedrukt wordt meer dan 17 mm bedraagt. Wat deze functie betreft, stel u in verbinding met een TOSHIBA TEC verantwoordelijke.

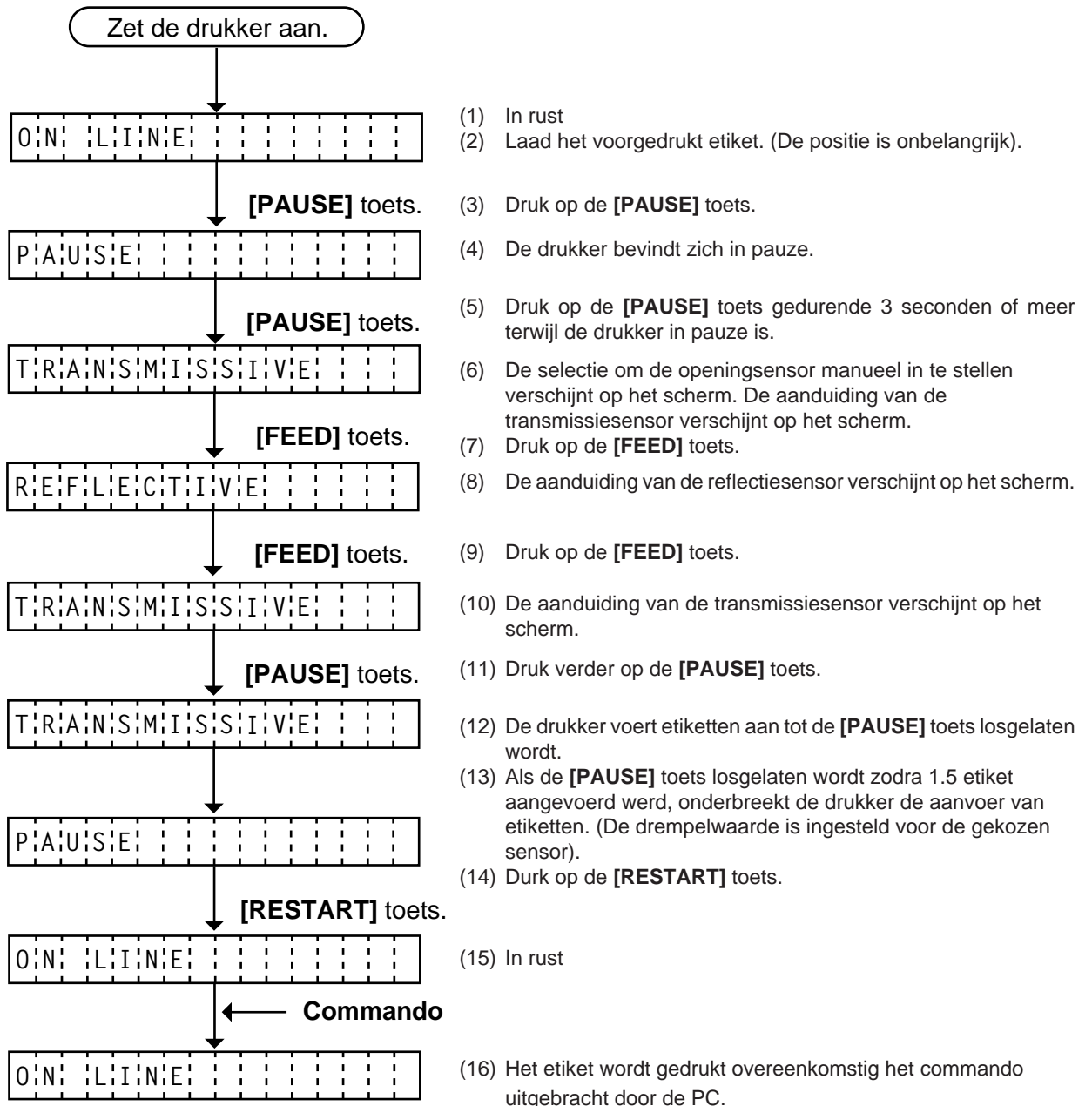
OPMERKING: *Het lintverlies per lintbesparing varieert in overeenstemming met de verhouding tussen de externe diameter van het opgerolde lint en de druksnelheid, zoals hieronder wordt aangegeven:*

Druksnelheid	Lintverlies
3"/sec.	Ongeveer 5 mm
5"/sec.	Ongeveer 8 mm
8"/sec.	Ongeveer 17 mm

9.4 Instelling van de drempelwaarde

De spatiesensor zorgt ervoor dat elk etiket automatisch op hetzelfde startpunt wordt bedrukt. Bij gebruik van voorgedrukte etiketten, kan het gebeuren dat, naargelang de inktsoort, de sensor er niet in slaagt de voedingsholte te detekteren. In dat geval moet de sensor met behulp van het bedieningsbord van de drukker ingesteld worden.

■ Werkwijze voor de instelling van de drempelwaarde



<Bijkomende uitleg>

- (1) Wanneer de [PAUSE] toets binnen de 3 seconden losgelaten wordt, heeft de toets geen uitwerking.
- (2) Wanneer de opening tussen twee etiketten bepaald wordt, moet 1.5 etiket aangevoerd worden. (Indien dit niet het geval is, kan de drempelwaarde verkeerd ingesteld zijn. In dit geval moet de instelling opnieuw gebeuren).
- (3) Wanneer de [PAUSE] toets 3 seconden of langer ingedrukt wordt terwijl de drukkop opgetild is, heeft de [PAUSE] toets geen uitwerking.
- (4) Tijdens het laden van etiketten wordt een einde papier, een linteinde of een snijmes fout niet waargenomen.

10. MOGELIJKE PROBLEMEN

WAARSCHUWING!

Mocht er zich een probleem voordoen dat met onderstaande tabel niet opgelost kan worden, probeer niet de drukker zelf te herstellen. Zet de drukker af, haal de stekker uit het stopcontact en stel u in verbinding met een erkende dienstverlener.

Foutmelding	Probleem	Oplossing
PAPIER VAST ****	<ol style="list-style-type: none"> Het papier werd verkeerd ingebracht. Het papier is vastgelopen en wordt niet meer doorgevoerd. Het papier dat opgeladen werd is niet geschikt voor deze sensor. De zwarte stip wordt niet gedetekteerd door de sensor. De afmetingen van het papier stemmen niet overeen met de ingestelde afmetingen. De spatie sensor ziet geen verschil tussen een spatie en een etiket. 	<ol style="list-style-type: none"> Breng het papier korrek in. → Druk [RESTART] toets in. Verwijder het vastgelopen papier en herlaad het onbeschadigde papier. → Druk [RESTART] toets in. Zet de drukker af en aan. Selecteer de juiste sensor. → Voer het papier door. Stel de sensor in op de juiste plaats. → Druk [RESTART] toets in. Zet de drukker af en aan. Breng de juiste afmetingen in. → Voer het papier door. Stel de spatie in. Procedure zie pagina 9-4. Zet de drukker af en contacteer een erkende dienstverlener.
KOP OPEN ****	Het doorvoeren van het papier of het drukken verloopt slecht.	Zet de drukkop zoals het hoort → Druk [RESTART] toets in.
PAPIER OP ****	Het papier is opgebruikt.	Laad nieuw papier. → Druk [RESTART] toets in.
LINT OP ****	Het lint is opgebruikt.	Laad een nieuw lint. → Druk [RESTART] toets in.
OPROL VOL ****	De oprol-as is vol.	Verwijder het papier van de oprol-as. → Druk [RESTART] toets in.
TEMP. FOUT	De drukkop is te heet.	Zet de drukker af en laat de drukkop afkoelen.
LINT FOUT ****	Er is een probleem met de lintseneor.	Zet de drukker af en contacteer een erkende dienstverlener.

Foutmelding	Probleem	Oplossing
SNIJMES FOUT ****	Het papier is vastgelopen in de snijmodule.	Verwijder het papier dat vastgelopen is en laad het onbeschadigde gedeelte op de manier. → Druk [RESTART] toets in. Zet de drukker af en contacteer een erkende dienstverlener.
FLASH MEM FOUT	Er is een fout gebeurd bij het inbrengen van de gegevens van flash of ATA geheugen.	1. Zet de drukker af. Breng de flash geheugen kaart opnieuw in haar slot en herbegint. 2. Vervang de flash geheugen kaart en herbegint. 3. Zet de drukker af en contacteer een erkende dienstverlener.
FORMAAT FOUT	Het flash of ATA geheugen werd niet korrekt geformateerd.	1. Zet de drukker af en probeer nogmaals. 2. Vervang het flash geheugen. 3. Zet de drukker af en contacteer een erkende dienstverlener.
GEHEUGEN VOL	Het flash of ATA geheugen is vol.	Vercang de kaart door een nieuwe. Zend de gegevens die nog niet doorgestuurd werden opnieuw. (Voor flashkaart gebruik uitsluitend kaarten van 1Mb en 4Mb)
COMM. FOUT	Er is een communicatiefout met de seriële interface.	Zet de drukker af en aan of druk de toets [RESTART] in. Kontroleer de gegevens. → Indien nodig, contacteer een erkende dienstverlener.
ex) PC001; 0A00, Kommandofout 0300, 2, 2	Indien een fout voorkomt in de programmatie van het kommunikatie kommando, zullen 16 bytes vav het kommando verschijnen op de display. ([LF], [NUL] verschijnen niet.)	Verbeter het kommando en stuur het opnieuw door.
Andere foutmeldingen	Hardware en/of software problemen.	Zet de drukker af en aan. Indien het probleem nog steeds niet opgelost is, contacteer een erkende dienstverlener.

OPMERKING: Indien een fout niet verdwenen is na het indrukken van de toets **[RESTART]**, moet de drukker aan en af gezet worden.
Wanneer de drukker opnieuw aangezet wordt, zijn de gegevens verdwenen.
**** Het aantal niet geprinte etiketten.

Probleem	Oplossing
Geen afdruk.	Ga na of het papier of het lint korrekt ingebracht werd.
Punten ontbreken in afdruk.	De drukkop is vuil. → Reinig de drukkop. Indien nodig, contacteer een erkende dienstverlener.
Onduidelijke afdruk.	1. De drukkop is vuil. → Reinig de drukkop. 2. Slecht lint. → Vervang het lint. 3. Verkeerd papier. → Vervang het papier.
De drukker is niet aan.	1. Duw de stekker goed in de AC-ingang. 2. Controleer de zekering. 3. Ge na of er wel wwn elektrische voeding is. (Probeer met een ander toestel.) Indien nodig, contacteer een erkende dienstverlener.
Geen snijbeweging.	1. Ga na of de drukker aan is. 2. Het papier is vastgelopen in de snijmodule. → Verwijder het papier dat vastgelopen is. Indien nodig, contacteer een erkende dienstverlener.
Kontroleer de snijlijn van het papier.	1. Reinig de messen. 2. De messen zijn versleten. → Contacteer een erkende dienstverlener.

TEC

TEC Stampanti termiche

B-480-QP SERIE

Manuale Utente

Nota per la sicurezza

La sicurezza personale nel maneggiare o fare manutenzione all'apparecchiatura è estremamente importante. Le avvertenze e le cautele necessarie per un sicuro maneggio sono contenute in questo manuale. Tutte le avvertenze e le cautele contenute in questo manuale e indicate all'interno o all'esterno della stampante devono essere lette e comprese prima di maneggiare o fare manutenzione sull'apparecchiatura.

Non tentare di effettuare riparazioni sull'apparecchiatura. Nell'evenienza di un malfunzionamento che non possa essere corretto utilizzando le procedure descritte nel presente manuale, spegnere la stampante, disconnettere la presa elettrica e quindi contattare il rappresentante autorizzato TOSHIBA TEC per l'assistenza.

Significato dei simboli



Questo simbolo indica elementi che richiedono attenzione (incluse le cautele). Specifiche indicazioni sono contenute all'interno del simbolo \triangle . (Il simbolo a sinistra indica una cautela generale).



Questo simbolo indica azioni vietate (elementi vietati). Specifiche indicazioni sono contenute all'interno o vicino al simbolo \circ . (Il simbolo a sinistra indica il divieto di smontaggio).



Questo simbolo indica azioni che devono essere compiute. Specifiche indicazioni sono contenute all'interno o vicino al simbolo \bullet . (Il simbolo a sinistra indica di scollegare l'alimentazione dalla presa elettrica).

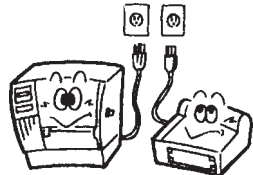


ATTENZIONE

Questo simbolo indica un rischio di **morte** o di **gravi lesioni** se le macchine sono maneggiate in modo improprio e contrario a queste indicazioni.



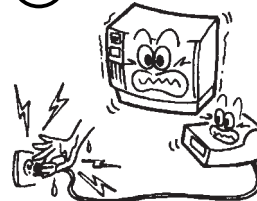
Qualsiasi voltaggio diverso da quello indicato è vietato.



■ Non usare voltaggi diversi da quello (AC) specificato, poiché ciò può causare **incendi** o **shock elettrici**.



Vietato



■ Non collegare e scollegare il cavo di alimentazione con le mani bagnate, poiché ciò può causare **shock elettrici**.



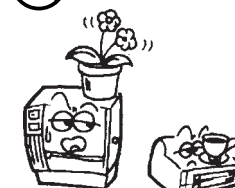
Vietato



■ Se le macchine condividono la stessa presa con altri apparecchi elettrici che consumano molto, il voltaggio subirà ampie oscillazioni ogni qualvolta che questi dispositivi operano. Assicurarsi di utilizzare una presa esclusiva per le macchine, onde evitare **malfunzionamenti**.



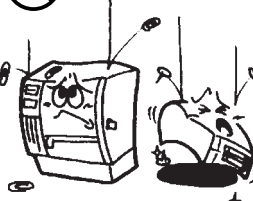
Vietato



■ Non posizionare oggetti metallici o contenitori pieni di liquidi, come vasi di fiori, tazze, ecc., sopra le macchine. Se oggetti metallici o liquidi dovessero entrare nella macchina, ciò può causare **incendi** o **shock elettrici**.



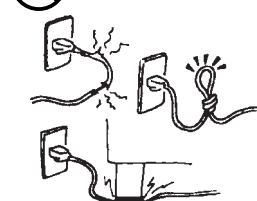
Vietato



■ Non inserire o lasciar cadere metallo, materiali infiammabili od altri corpi estranei nella macchina attraverso le aperture di ventilazione, poiché ciò può causare **incendi** o **shock elettrici**.



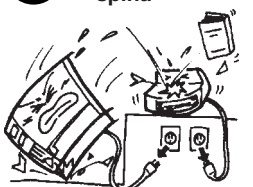
Vietato



■ Non scalfire, danneggiare o modificare i cavi di alimentazione. Inoltre, non posizionare i cavi sotto oggetti pesanti, non tenderli o piegarli eccessivamente, poiché ciò può causare **incendi** o **shock elettrici**.



Staccare la spina



■ Se le macchine sono fatte cadere o la loro carrozzeria viene danneggiata, spegnere gli apparecchi e staccare la spina di alimentazione dalla presa, quindi contattare il rappresentante autorizzato TOSHIBA TEC. Protrarre l'uso della macchina in tali condizioni può causare **incendi** o **shock elettrici**.



Staccare la spina



■ L'uso continuato delle macchine in condizioni non normali, ad esempio quando gli apparecchi emettono fumo od odori insoliti può causare **incendi** o **shock elettrici**. In questi casi, spegnere immediatamente gli apparecchi e staccare la spina di alimentazione dalla presa. Quindi contattare il rappresentante autorizzato TOSHIBA TEC.

 <p>Staccare la spina</p>  <p>■ Se corpi estranei (frammenti metallici, acqua, liquidi) estrassero nelle macchine, spegnere gli apparecchi e staccare la spina di alimentazione dalla presa, quindi contattare il rappresentante autorizzato TOSHIBA TEC. Protrarre l'uso della macchina in tali condizioni può causare incendi o shock elettrici.</p>	 <p>Staccare la spina</p>  <p>■ Quando si disconnette il cavo di alimentazione, assicurarsi di impugnare e tirare la parte della spina. Tirare il cavo può recidere od esporre i fili interni e causare incendi o shock elettrici.</p>
 <p>Collegare una presa a terra.</p>  <p>■ Assicurarsi che le apparecchiature siano collegate a terra in modo appropriato. Incendi o shock elettrici possono verificarsi su apparecchi non correttamente collegati a massa.</p>	 <p>Non smontare</p>  <p>■ Non rimuovere le coperture, riparare o modificare le macchine in proprio. Esiste il rischio di lesioni dovute all'alta tensione, componenti molto caldi o parti taglienti all'interno della macchina.</p>



ATTENZIONE

Questo simbolo indica un rischio di **morte** o di **gravi lesioni** se le macchine sono maneggiate in modo improprio e contrario a queste indicazioni.

Precauzioni

Le seguenti precauzioni aiutano ad assicurarsi che questo prodotto continui a funzionare correttamente.

- Evitare luoghi con le seguenti condizioni sfavorevoli:
 - * Temperature oltre i limiti consentiti
 - * Luce solare diretta
 - * Umidità eccessiva
 - * Fonti di alimentazioni condivise con altri apparecchi
 - * Vibrazioni eccessive
 - * Polvere/Gas
- La copertura deve essere pulita strofinando con un panno asciutto o leggermente imbevuto di detergente neutro. **NON USARE DILUENTI O ALTRI SOLVENTI VOLATILI** sulle coperture plastiche.
- **USARE UNICAMENTE** supporti e nastri **APPROVATI** da TOSHIBA TEC.
- **NON DEPOSITARE** supporti o nastri dove possono essere esposti alla luce solare diretta, alte temperature, elevata umidità, polvere o gas.
- Assicurarsi che la stampante operi su di una superficie piana.
- I dati contenuti nella memoria della stampante potrebbero andare perduti durante un malfunzionamento della stampante stessa.
- Cercare di evitare l'uso di questo prodotto con la stessa presa d'alimentazione di apparecchiature ad alto o voltaggio o suscettibili di causare rilevanti interferenze.
- Scollegare la macchina ogni volta che si lavora al suo interno o la si sta pulendo.
- Mantenere l'ambiente di lavoro libero dall'elettricità. statica.
- Non posizionare nulla di pesante sopra le macchine, poiché tali oggetti possono essere instabili e cadere provocando **infortuni**.
- Non ostruire le aperture di ventilazione delle macchine, perché ciò innalza la temperatura interna degli apparecchi e può causare **incendi**.
- Non appoggiarsi alla macchina. Potrebbe cadere e causare **infortuni**.
- Le taglierine sono affilate e va prestata molta attenzione a non ferirsi.
- Sconnettere la macchina quando non viene usata per lunghi periodi.

Requisiti per la manutenzione

- Utilizzate i nostri servizi di assistenza.
Dopo l'acquisto della macchina, contattate il vostro rappresentante autorizzato TOSHIBA TEC per assistenza all'incirca una volta l'anno per la pulizia interna della macchina. In caso contrario, la polvere si accumulerà all'interno dell'apparecchiatura e potrà causare incendi o malfunzionamenti. La pulizia è particolarmente efficace prima di stagioni umide e piovose.
- Il nostro servizio di assistenza provvede a controlli periodici e altri interventi richiesti per mantenere la qualità e le prestazioni delle macchine, prevenendo incidenti con anticipo.
Per i dettagli, si prega di consultare il rappresentante autorizzato TOSHIBA TEC.
- Uso di insetticidi o altri prodotti chimici.
Non esporre la macchina agli insetticidi o ad altri solventi volatili, in quanto questi possono deteriorare la carrozzeria o altre parti o possono causare il distacco della verniciatura.

Indice dei contenuti

	Pagina
1. INTRODUZIONE	I1- 1
1.1 Modelli utilizzabili	I1- 1
1.2 Accessories	I1- 1
2. SPECIFICHE	I2- 1
2.1 Stampante	I2- 1
2.2 Opzioni	I2- 2
2.3 Nastri di stampa	I2- 2
2.4 Supporti	I2- 3
3. VISTA GENERALE	I3- 1
3.1 Vista fronte/retro	I3- 1
3.2 Pannello operatore	I3- 1
4. INSTALLAZIONE	I4- 1
4.1 Connessione del cavo di alimentazione e comunicazione	I4- 1
4.2 Installazione del filtro ventilatore	I4- 1
5. CARICAMENTO DEI SUPPORTI DI STAMPA	I5- 1
6. CARICAMENTO NASTRO DI STAMPA	I6- 1
7. INSERIMENTO DELLA PCMCIA (OPZIONALE)	I7- 1
8. UTILIZZO E MANUTENZIONE DEI SUPPORTI E NASTRI	I8- 1
9. MANUTENZIONE GENERALE	I9- 1
9.1 Pulizia	I9- 1
9.2 Coperchio e pannelli	I9- 2
9.3 Rimozione delle etichette inceppate	I9- 2
9.4 Settaggio dei sensori	I9- 4
10. RISOLUZIONE DEI PROBLEMI	I10-1

Attenzione:

1. Questo manuale non pu' essere copiato integralmente o in parte senza previa autorizzazione scritta della TOSHIBA TEC.
2. Il contenuto di questo manuale pu' subire variazione senza preavviso.
3. Riferitevi al Vostro fornitore per qualunque richiesta di chiarimenti riguardo questo manuale.

1. INTRODUZIONE

Grazie per aver scelto la serie TEC B-480 stampante termico/trasferimento termico. Questa stampante di elevate prestazioni equipaggiata con hardware dell'ultima generazione, incluso le testine tipo NEAR EDGE (12 dots/mm, 304.8 dots/inch) che consentono una stampa nitida ad alte velocità (massimo 203.2 mm/sec. 8 inches/sec.).

Come optional sono disponibili il save ribbon automatico, il riavvolgitore interno con sistema di spellicolamento e la porta rotoli esterno.

Questo manuale contiene informazioni generali per la configurazione e manutenzione, leggerlo attentamente Vi consentirà di ottenere le migliori prestazioni dalla stampante.

Conservate questo manuale per future consultazioni.

WARNING

This is a Class A product. In a domestic environment this product may cause radio interference in which case the user may be required to take adequate measures.

CAUTELE

Per evitare pericoli fare attenzione nelle operazioni di apertura e chiusura dello sportello.

CAUTELE

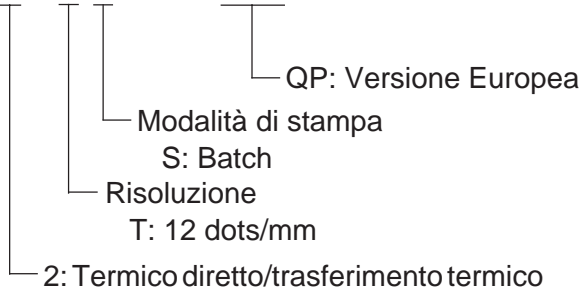
Non toccare le parti in movimento. Per evitare che le dita, gli anelli o i capi di vestiario vengano agganciati dalle parti movimento spegnere la stampante.

1.1 Modelli utilizzabili

- B-482-TS10-QP

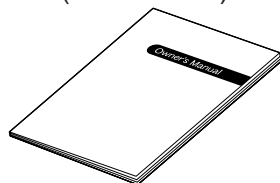
Modello nome descrizione

B - 4 8 2 - T S 1 0 - Q P

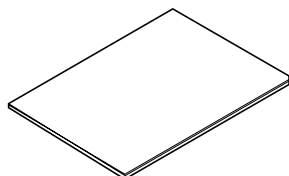


1.2 Accessories

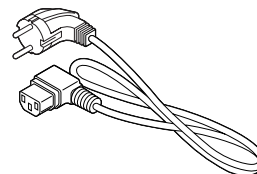
Manuale utente
(EO1-33007)



Procedura di disimballo



Cavo di alimentazione



Filtro ventilatore



2. SPECIFICHE

2.1 Stampante

Punti	Modello	B-482-TS10-QP
Alimentazione		AC 220V ~ 240V +10%, -15%, 50Hz
Consumi		1.13A, 128W massimo (standby: 250mA, 23W)
Temperature operative		5°C ~ 40°C (41°F ~ 104°F)
Umidità relativa		25% ~ 85%RH (non condensata)
Testina di stampa		Testina termica 12 dots per mm (304.8 dots per inch)
Metodi di stampa		Termico diretto / Trasferimento termico
Velocità di stampa		76.2 mm/sec. (3 inch/sec.), 127 mm/sec. (5 inch/sec.), 203.2 mm/sec. (8 inch/sec.), 101.6 mm/sec. (4inch/sec.) ... Solo termico diretto
Massima larghezza di stampa		104.0 mm
Modalità di stampa		Batch (Continuo), Strip (Spellicolatore) Taglierina (Le modalità spellicolatore e taglierina sono disponibili esclusivamente se installati i relativi moduli.)
Visualizzazione messaggi		16 caratteri x 1 linea
Dimensioni		291 mm (larghezza) x 460 mm (profondità) x 308 mm (altezza)
Peso		17 kg (senza supporti e nastri)
Bar code disponibili		JAN8, EAN8, JAN13, EAN13, UPC-A, UPC-B EAN8, EAN13, UPC-A, UPC-E + 2digits EAN8, EAN13, UPC-A, UPC-E + 5digits NW-7 CODE39 (STANDARD) CODE39 (FULL ASCII) ITF MSI CODE93 CODE128 EAN128 Data Matrix PDF417 QR Code industrial 2 of 5 Customer Bar Code POSTNET RM4SCC (ROYAL MAIL 4STATE CUSTOMERCODE) KIX CODE Maxi Code Micro PDF417
Fonts		Times Roman (6 dimensioni), Helvetica (6 dimensioni), Presentation (1 dimensioni), Letter Gothic (1 dimensioni), Prestige Elite (2 dimensioni), Courier (2 dimensioni), OCR (2 tipi), Caratteri esterni (A disposizione carattere 2-byte), Outline font (4 tipi), Font prezzi (3 tipi)
Rotations		0°, 90°, 180°, 270°
Interfacce standard		Seriale (RS-232C) Parallela (Centronics)
Interfacce opzionali		Espansione I/O Scheda PCMCIA

2.2 Opzioni

Nome opzione	Codice parte	Utilizzi	Fonte
Taglierina diagonale	B-4205-QM	Taglierina diagonale con stop durante il taglio	Vedi NOTA
Taglierina rotativa	B-8204-QM	Taglierina rotativa	
Modulo spellicolatore	B-4905-H-QM	Questa opzione permette di spellicolare le etichette, includendo un sensore di presenza carta, riavvolgere la siliconata, oppure utilizzando la guida di riavvolgimento, di riavvolgere le etichette.	
Guida carta per fanfold	B-4905-FF-QM	Permette un miglior caricamento della modulistica in fanfold.	
Scheda PCMCIA	B-8700-PC-QM	Questa interfaccia abilita l'utilizzo delle seguenti interfacce PCMCIA. * Scheda LAN: 3 COM EtherLink®III (raccomandata) 3 COM 3CCE589ET (raccomandata) * Scheda ATA: Conforme allo standard PC ATA * Flash memory card: schede da 1MB and 4MB (Vedi Page 7-1.)	
Interfaccia I/O	B-8700-IO-QM	Questa opzione consente la connessione ad un'interfaccia industriale.	

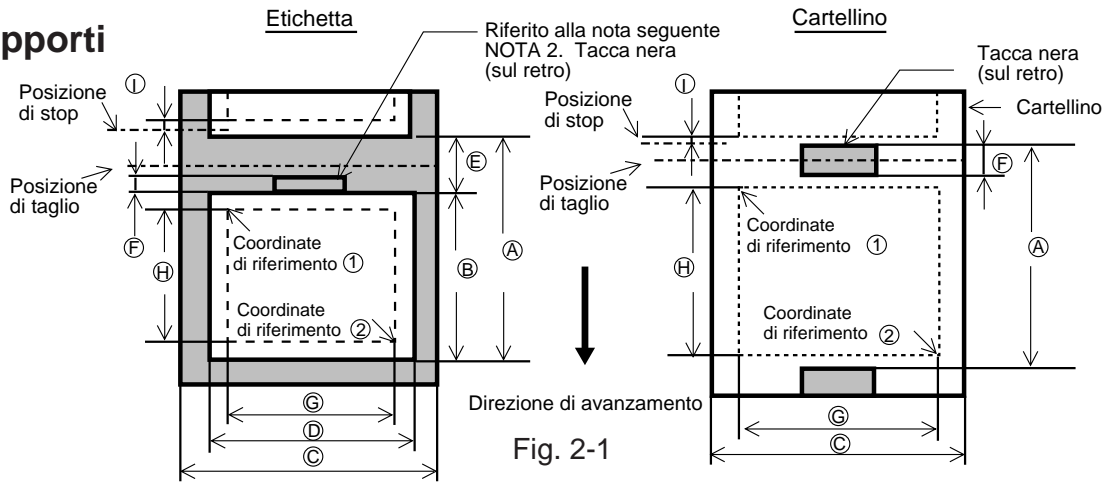
NOTA: Disponibile presso la TOSHIBA TEC o presso il Vostro distributore TOSHIBA TEC.

2.3 Nastri di stampa

Modello	Tipo del riavvolgitore
Larghezza	68 mm ~ 112 mm
Lunghezza	600 m
Diametro esterno	ø90 mm (max.)

- NOTE:**
1. La dicitura "on the fly" indica la possibilità della stampante di produrre documenti differenti fra loro senza interruzione per il cambio di immagine.
 2. Per assicurare la durata e la qualità di stampa utilizzate materiali raccomandati dalla TOSHIBA TEC.
 3. Quando si usa la taglierina assicurarsi la lunghezza dell'etichetta, incluso il gap, superi i 35mm. (Vedi Page 2-3.)
 4. Utilizzando il riavvolgitore interno, il diametro esterno massimo del rotolo iniziale non deve essere superiore a 180mm.
 5. L'utilizzo di supporti di stampa ruvidi possono causare pieghe sul nastro di stampa con il sistema si save ribbon.

2.4 Supporti



[Unità: mm]

Descrizione	Modalità di stampa		Batch	Spellicolatrice	Taglierina			
					Taglierina rotativa		Taglierina diagonale	
					Testina alzata OFF	Testina alzata ON		
A: Dimensione min/max	Etichetta	Min.	10.0	25.4	3"/sec.:94.0	3"/sec.:38.0	38.0	
		Max.	2730.0					
	Cartellino	Min.	10.0	-	3"/sec.:30.0	4"/sec.:30.0		25.4
		Max.	2730.0	-	5"/sec.:30.0	8"/sec.:38.0		
B: Lunghezza	Etichetta	Min.	8.0	23.4	3"/sec.:81.0(*1)	3"/sec.:25.0	25.0 (*5)	
		Max.	2728.0	-	4"/sec.:85.0(*2)	4"/sec.:25.0		
	Cartellino	Min.	8.0	-	5"/sec.:89.0(*3)	5"/sec.:25.0		
		Max.	2728.0	-	8"/sec.:100.0(*4)	8"/sec.:25.0		
C: Larghezza incluso carta di supporto	Min.		50.8					
	Max.		112.0					
D: Larghezza etichetta	Min.		47.8					
	Max.		109.0					
E: Altezza interspazio	Min.		2.0	6.0				
	Max.		20.0					
F: Altezza tacca nera	Min.		2.0					
	Max.		10.0					
G: Larghezza effettiva di stampa	Min.		10.0					
	Max.		104.0 ± 0.2					
H: Lunghezza effettiva di stampa	Etichetta	Min.	6.0	21.4	3"/sec.:79.0	3"/sec.:23.0	23.0	
		Max.	2726.0					
	Cartellino	Min.	8.0	-	3"/sec.:28.0	4"/sec.:28.0		23.0
		Max.	2726.0	-	5"/sec.:28.0	8"/sec.:36.0		
I: Area di accelerazione/decelerazione		1.0						
Spessore	Etichetta	Min. 130 µm, Max. 170 µm						
	Cartellino	Min. 150 µm, Max. 290 µm						
Massima lunghezza per stampa "on the fly"		1361.0						
Diametro esterno bobina		ø 200 Max.						

- NOTE:**
- Le specifiche dei supporti di stampa sopra specificate non sono variate.
 - La lunghezza delle etichette deve rispettare le seguenti condizioni.
 - (*1) Se si utilizza la taglierina rotativa alla velocità di 3"/sec.: 91.0mm - (lunghezza Gap/2) o superiore
 - (*2) Se si utilizza la taglierina rotativa alla velocità di 4"/sec.: 95.0mm - (lunghezza Gap/2) o superiore
 - (*3) Se si utilizza la taglierina rotativa alla velocità di 5"/sec.: 99.0mm - (lunghezza Gap/2) o superiore
 - (*4) Se si utilizza la taglierina rotativa alla velocità di 8"/sec.: 110.0mm - (lunghezza Gap/2) o superiore
 - (*5) Se si utilizza la taglierina diagonale: 35.0mm - (lunghezza Gap/2)

3. VISTA GENERALE

3.1 Vista fronte/retro

Vista frontale

Vista posteriore

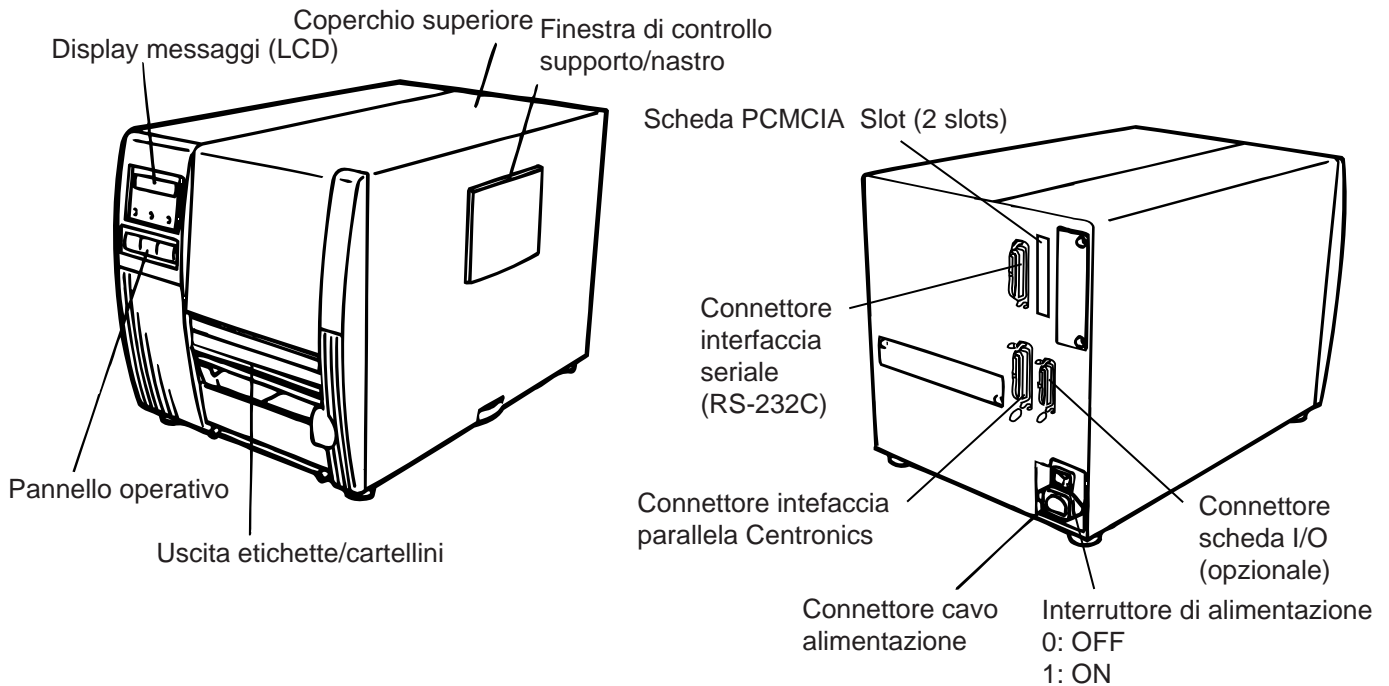


Fig. 3-1

3.2 Pannello operatore

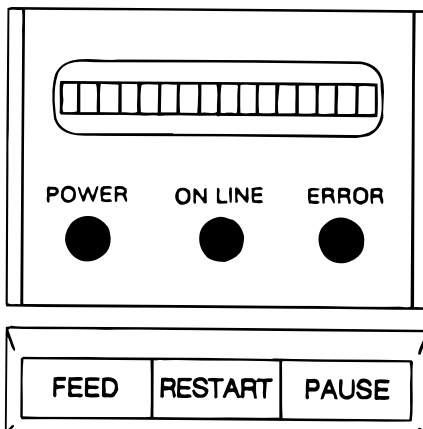


Fig. 3-2

Display dei messaggi (LCD)

All'accensione, se pronta per la stampa, visualizza il messaggio ON LINE.

LED stampante accesa (verde)

Si illumina quando la stampante è accesa.

LED di ON LINE (verde)

- 1) Lampeggia quando sono in arrivo dati.
- 2) Fisso quando stampa.

LED di errore (rosso)

Si illumina quando avvengono errori di comunicazione o di stampa (fine nastro, fine carta ecc.).

Tasto avanzamento carta

Provoca l'avanzamento di un'etichetta.

Tasto di riavvio

Riavvia la stampante dopo un errore. Usato per configurare i sensori (Vedi pag. 9-4)

Tasto di pausa

Ferma la stampa.

Il display visualizza PAUSE e il numero di copie ancora da stampare. Usato per configurare i sensori (Vedi pag. 9-4)

4. INSTALLAZIONE

4.1 Connessione del cavo di alimentazione e comunicazione

ATTENZIONE:

Posizionare il pulsante di accensione sulla posizione OFF prima di collegare l'alimentazione alla stampante.

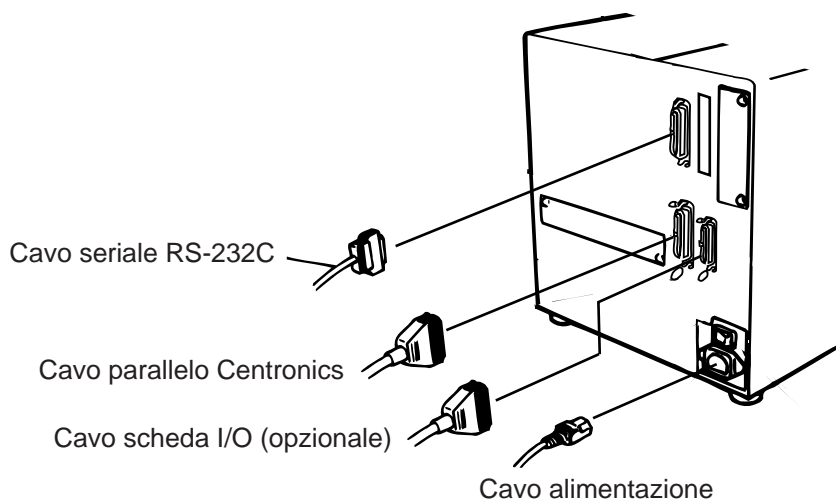


Fig. 4-1

4.2 Installazione del filtro ventilatore

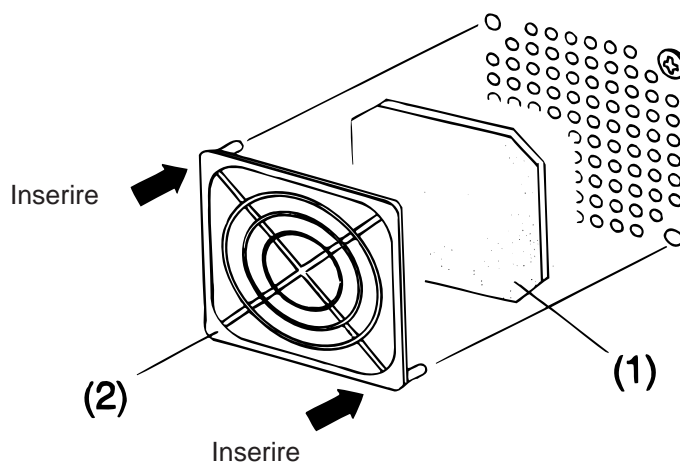


Fig. 4-2

Assicurarsi che il filtro sia installato prima di utilizzare la stampante.

Il filtro è composto da due parti:

- (1) Filtro aria
- (2) Schermo del filtro

Per installare il filtro: posizionare il filtro aria all'interno dello schermo, quindi posizionare come da immagine, le linguette dello schermo sui fori realizzati sulla scocca, quindi premere.

5. Caricamento dei supporti di stampa

ATTENZIONE:

1. Non toccare le parti in movimento. Per ridurre i rischi che dita, anelli, abbigliamento ecc., possano impigliarsi nei meccanismi in movimento, spegnete la stampante.
2. Quando apre o chiude il coperchio, va prestata molta attenzione a non ferirsi le mani.

La stampante può utilizzare etichette e cartellini.

1. Spegner la stampante e aprire il coperchio.
2. Ruotare la leva della testina sulla posizione ③, quindi aprire lo sportello del nastro.

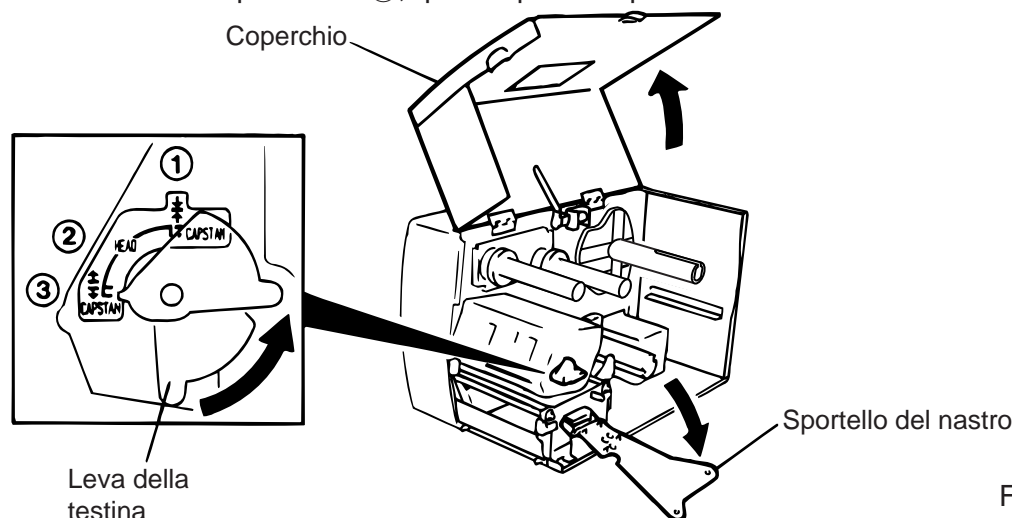


Fig. 5-1

- NOTA:**
1. Quando la leva della testina è posizionata sul ②, la testina è già sollevata.
 2. Quando la leva della testina è posizionata sul ③, sono sollevati sia la testina che il rullo pressore posteriore.
 3. Per la stampa la leva della testina deve essere posizionata su ①. (Questo assicura la chiusura della testina e del rullo pressore.)

3. Ruotare l'anello di fissaggio in senso antiorario e rimuovere il fermo del porta rotoli dal supporto del rotolo.

NOTA: Non ruotare eccessivamente l'anello di blocco in senso antiorario o potreste estrarlo dalla staffa di supporto.

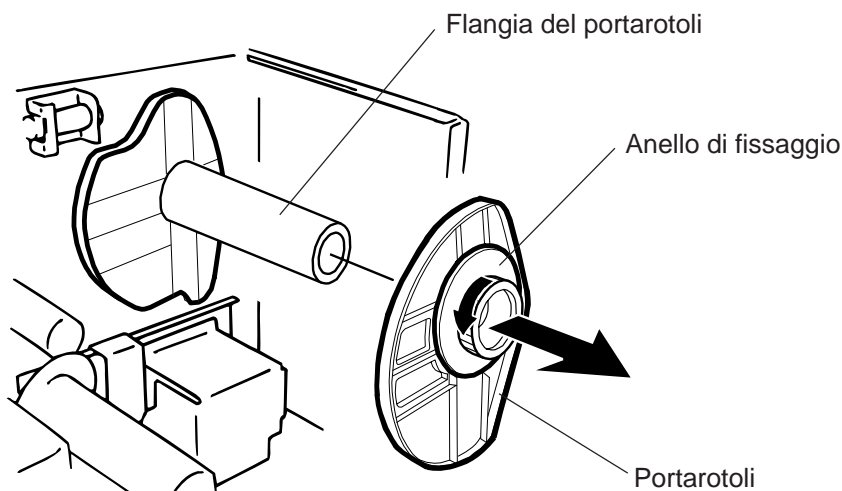


Fig. 5-2

4. Posizionare il supporto di stampa sul portarotoli.
5. Far passare il supporto di stampa dietro il braccio di smorzamento, quindi tirare verso il fronte della stampante.
6. Inserire il perno del fermo del porta rotoli nel solco della staffa porta rotoli, e quindi premere fino al fissaggio del rotolo. Ruotare l'anello di fissaggio in senso orario. Questo centrerà automaticamente il rotolo.

NOTA: NON FORZARE l'anello di fissaggio sulla staffa porta rotoli.

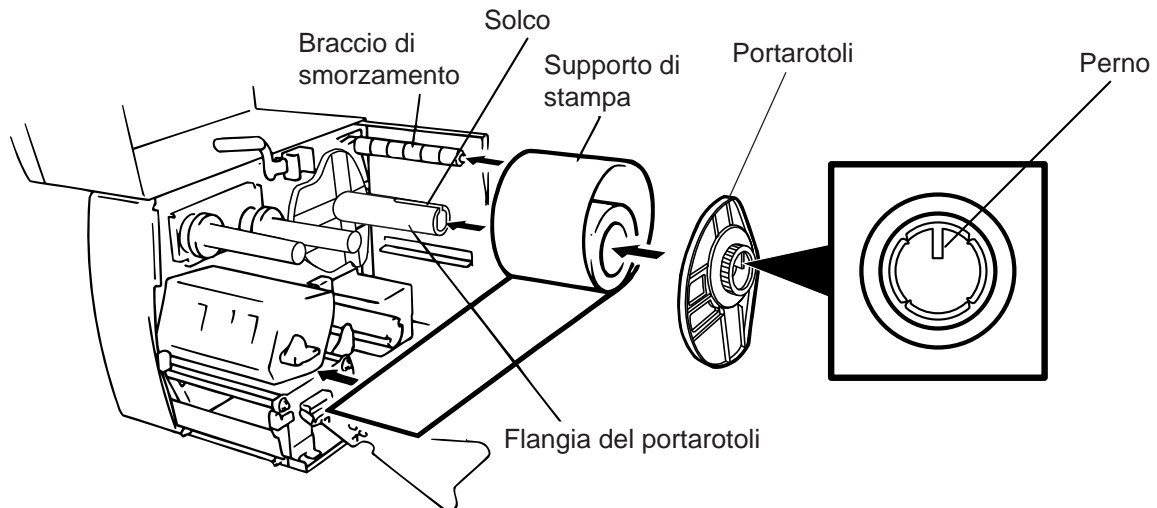


Fig. 5-3

7. Inserire il supporto nelle guide carta, posizionare le guide carta, quindi bloccarle con vite.
8. Controllare che le guide carta siano appoggiate ai lati del supporto di stampa. Il supporto di stampa deve essere centrato sulla testina.

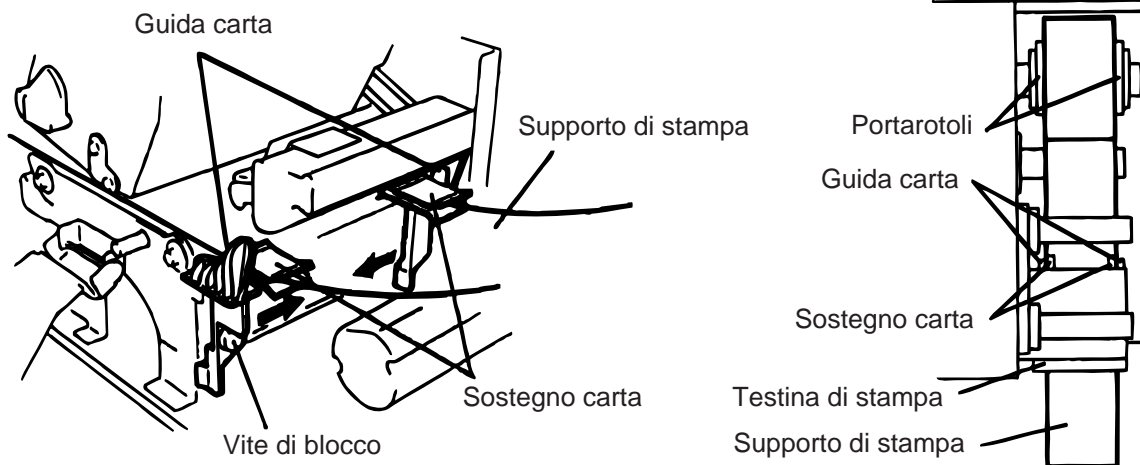


Fig. 5-4

NOTA: Nel caso si utilizzino etichette riavvolte in esterno, rimuovere la parte superiore di entrambe le guide carta.

■ Rimozione delle guide carta superiori dal blocco guida carta

- ① Rimuovere le due viti T-4x8 per sganciare il blocco guida carta.

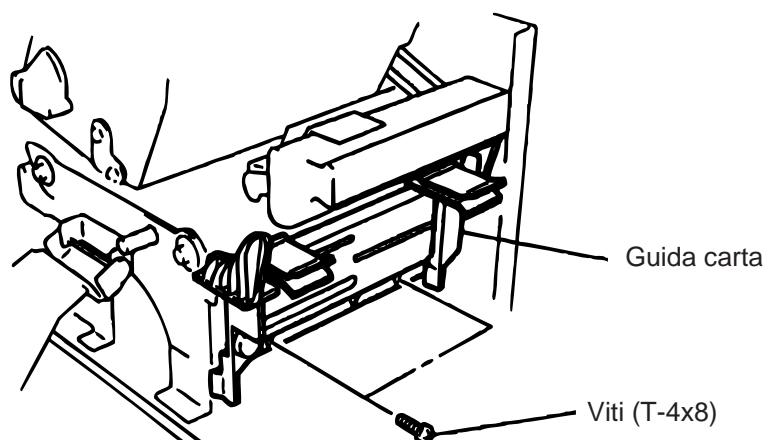


Fig. 5-5

- ② Rimuovere le due viti SM-3x6 o SM-3x8 per rimuovere i due blocchi superiori della guida carta.

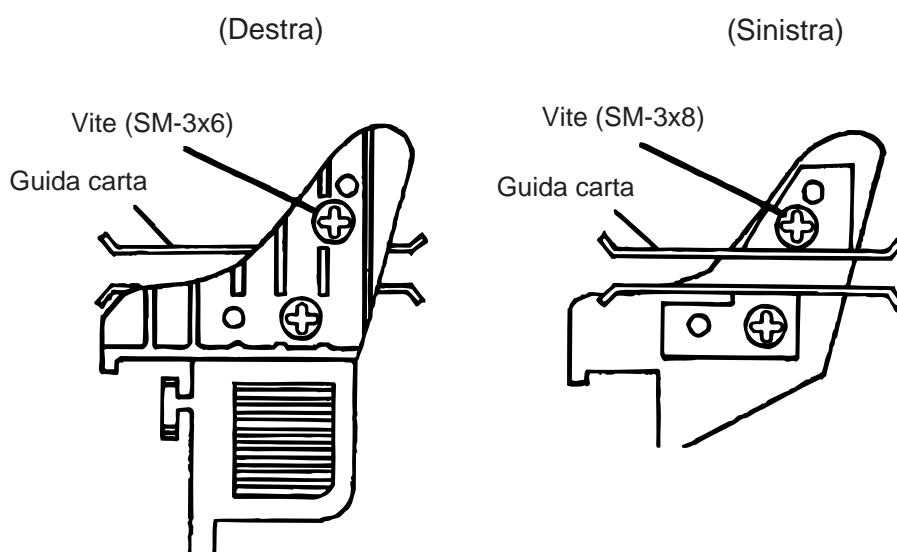


Fig. 5-6

- ③ Riposizionare il blocco guida carta.

NOTA: Conservare le guide smontate per possibili futuri utilizzi.

9. Posizionare i sensori tacca nera/gap nella posizione corretta ruotando la manopola di regolazione. La rotazione a destra sposta i sensori verso il centro, ruotando a sinistra i sensori si spostano verso la spalla centrale della stampante.

■ Un sistema semplice per centrare il sensore della tacca nera

- ① Estrarre il supporto di stampa per circa 500mm dal fronte della stampante, ripiegare il supporto su se stesso, e reinserirlo nella stampante passando sotto la testina, ora la tacca nera è visibile.
- ② Con la manopola regolare il foro della tacca nera sopra la stessa. (il foro più inetrno).

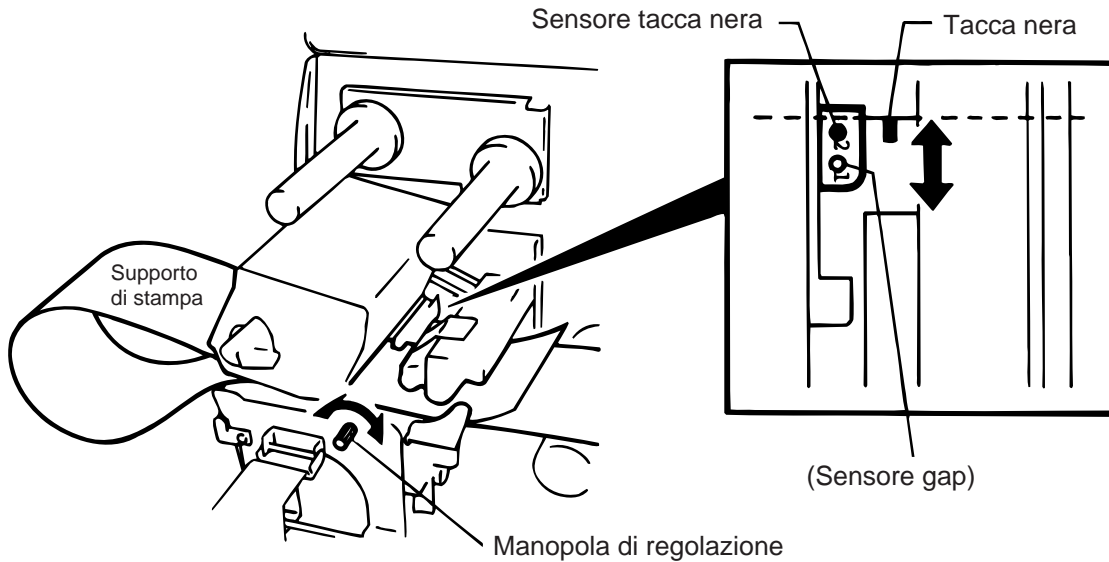


Fig. 5-7

NOTA: Accertatevi del corretto posizionamento del sensore per evitare segnalazioni di "CARTA INCEPPATA".

■ Posizionamento del sensore per il gap

- ① Posizionare il sensore nella posizione centrale dell'etichetta. (Il foro più esterno.)

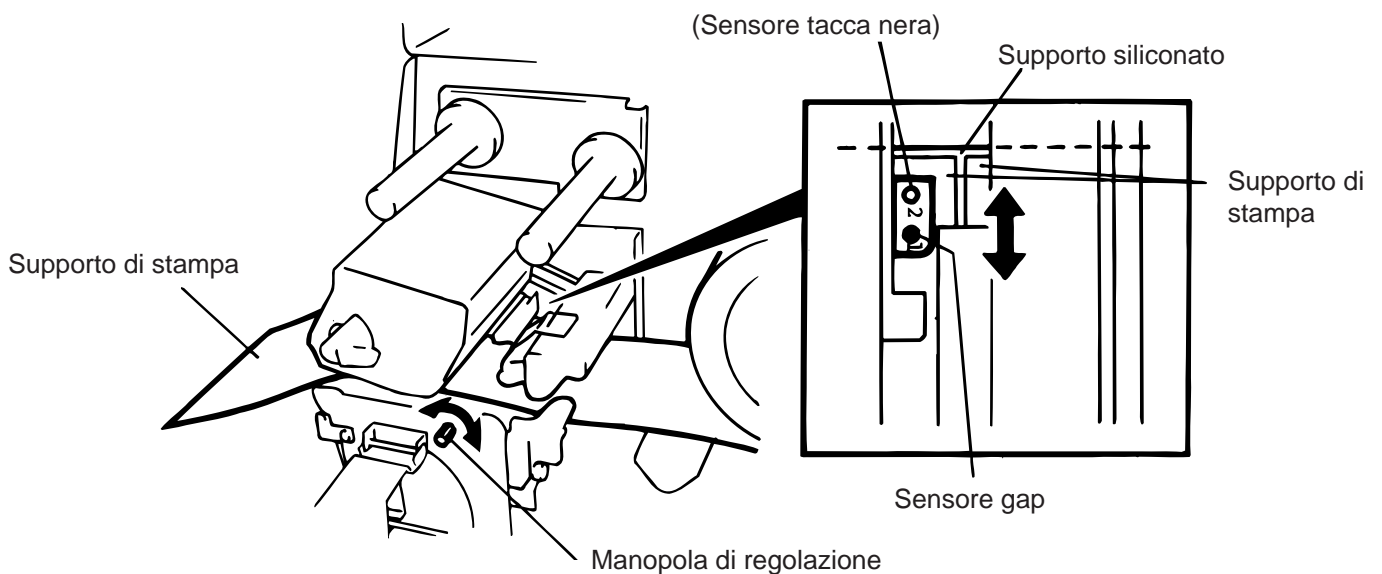


Fig. 5-8

10. Ora il supporto di stampa e i sensori sono posizionati.

Modalità Batch:

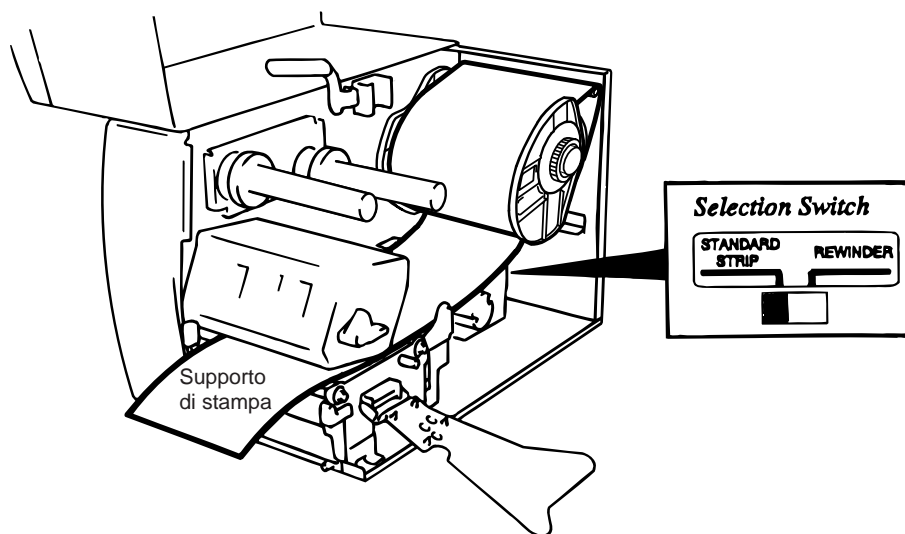


Fig. 5-9

NOTA: Posizionare lo switch di selezione Standard/strip nella corretta posizione. Un' errato settaggio potrebbe causare una cattiva qualità di stampa.

Modello con spellicolatore:

- ① Rimuovere circa 500mm di etichette dal supporto siliconato.
- ② Avvolgere la siliconata sul riavvolgitore, bloccandola con l'apposita staffa, ruotandola in senso antiorario.
- ③ Ruotate il riavvolgitore in senso antiorario per tendere la siliconata .

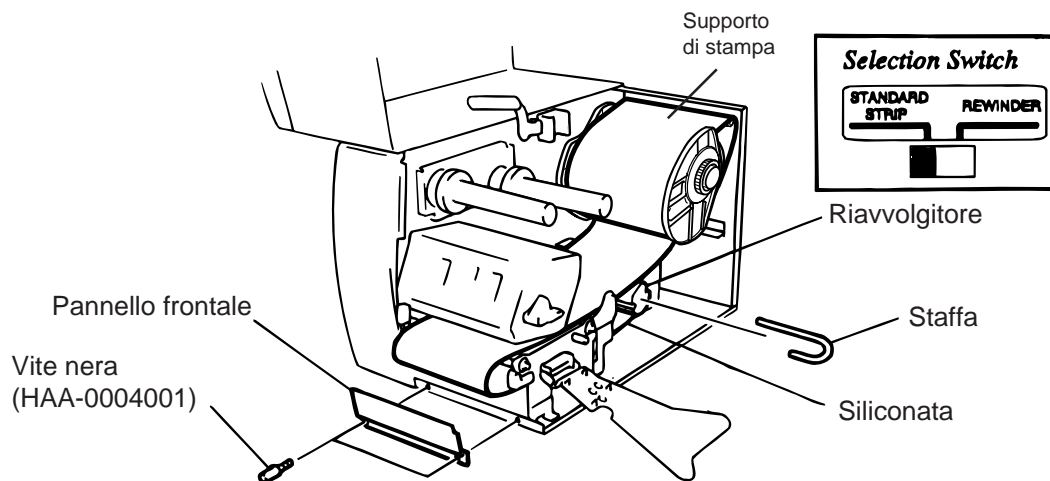


Fig. 5-10

NOTE:

1. La modalità di rientro della siliconata è facilitata se si elimina il pannello frontale.
2. Nel fissare la staffa inserire la parte più lunga nel solco meno profondo.
3. Posizionare lo switch sulla posizione Standard/strip.

Modello con taglierina: Se avete installato il gruppo di taglio caricate la carta come per la modalità batch, e fatela uscire dal fronte della taglierina. Le taglierina rotativa e diagonale sono opzionali. Sono utilizzate con le stesse modalità, anche se con modalità di taglio differenti. Segue la spiegazione del caricamento carta con la taglierina.

- NOTE:**
1. Assicuratevi di non tagliare direttamente sulle etichette, l'eventuale deposito di collante sulle lame può causare difetti di taglio.
 2. Se il supporto dovesse incepparsi nella taglierina, contattate il centro assistenza TOSHIBA TEC.
 3. Per il modello con taglierina lo switch può essere settato in entrambe le modalità.

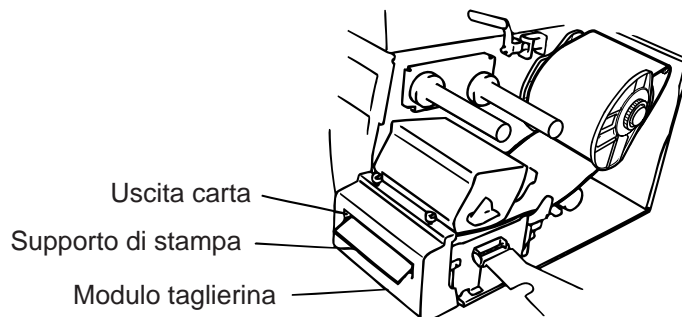


Fig. 5-11

Modello con riavvolgitore:

- ① Rimuovere le due viti nere e il pannello frontale.
- ② Posizionare al suo posto la guida di riavvolgimento e bloccarla con le stesse viti.

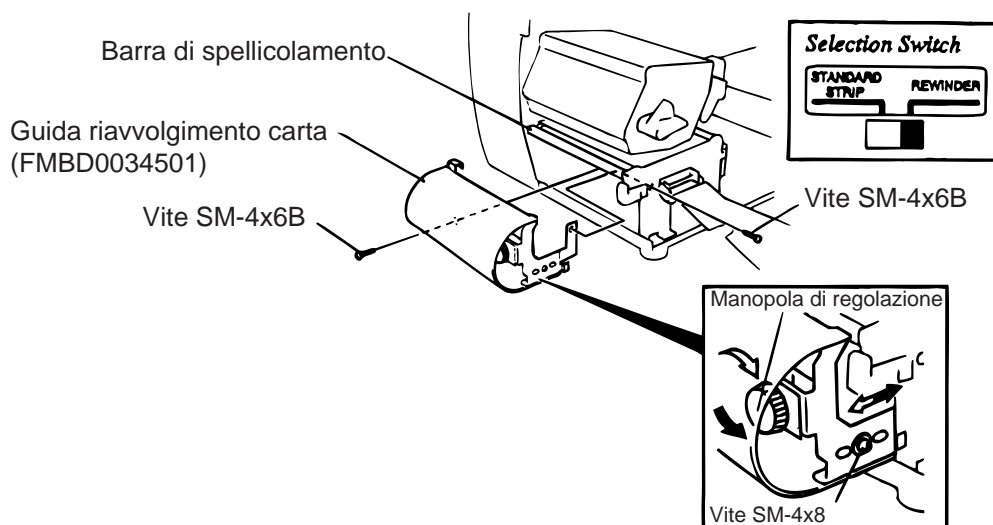


Fig. 5-12

NOTA: Posizionare lo switch su REWINDER.

- ③ Seguire la procedura del modello con spellicolatore.
- ④ Regolazioni

Se, utilizzando il riavvolgitore, le etichette sbandano ruotare la manopola di regolazione per correggere il difetto. La rotazione in senso orario sposta la guida in avanti, in senso antiorario la guida viene spostata indietro.

* Se le etichette sbandano verso destra:

Allentare le viti SM-4x8, ruotare la manopola in senso orario, quindi trovata la regolazione bloccare la vite.

* Se le etichette sbandano verso sinistra:

Allentare le viti SM-4x8, ruotare la manopola in senso antiorario, quindi trovata la regolazione bloccare la vite.

6. Caricamento nastro di stampa

ATTENZIONE:

1. Non toccare le parti in movimento. Per ridurre i rischi che dita, anelli, abbigliamento ecc., possano impigliarsi nei meccanismi in movimento, spegnete la stampante.
2. Quando apre o chiude il coperchio, va prestata molta attenzione a non ferirsi le mani.

Esistono due tipi di supporti di stampa, trasferimento termico o termico diretto (carta chimica). **NON UTILIZZARE IL NASTRO CON SUPPORTI IN MATERIALE TERMICO DIRETTO.**

1. Utilizzando nastri stretti, posizionare i blocchi del nastro in modo che lo stesso risulti centrato sul supporto. Per utilizzare nastri larghi ruotare i blocchi di 90°, spingerli verso il fondo, quindi riposizionarli.

NOTA: Quando inserite i blocchi del nastro sui perni porta nastro, posizzionarli con la parte chiusa verso l'esterno.

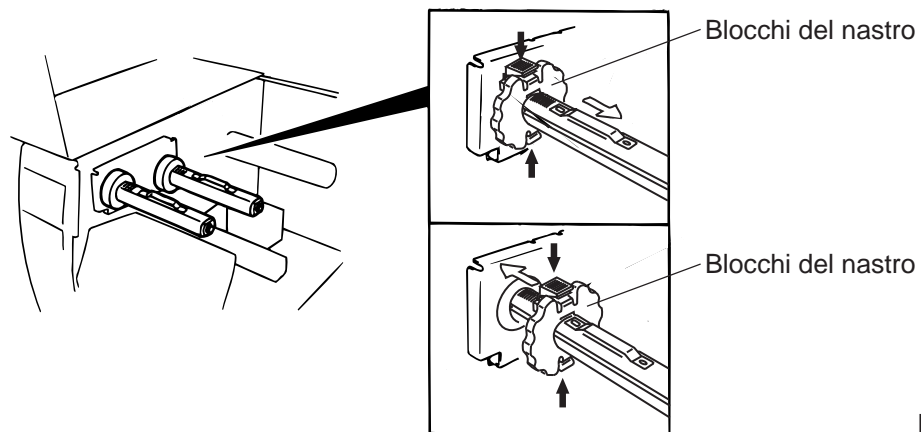


Fig. 6-1

2. Eliminare le pieghe dal nastro, e posizionarlo come nella figura sottostante. Quando il nastro è installato deve essere posizionato sotto il suo sensore.
3. Ruotare i perni per tendere il nastro.

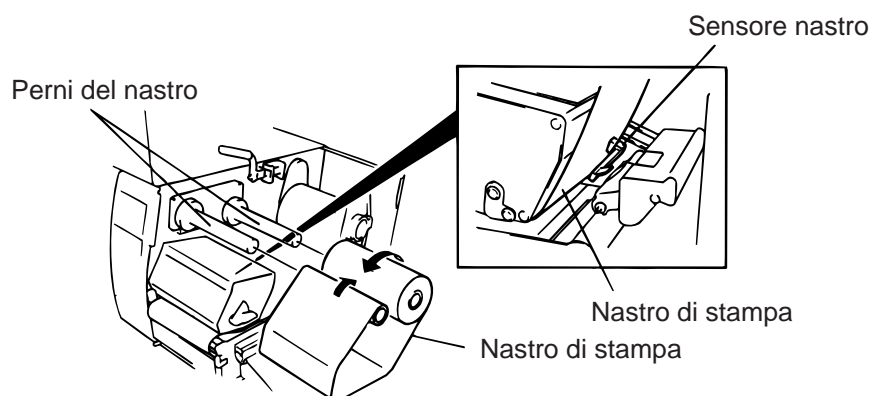


Fig. 6-2

4. Chiudere il paitto di blocco del nastro, allineandolo con i perni.
5. Ruotare la leva della testina in posizione di chiusura.
6. Chiudere il coperchio.

7. Inserimento della PCMCIA (opzionale)

ATTENZIONE:

Spegnere la stampante prima di inserire o rimuovere la scheda.

CAUTELE:

Per non danneggiare la scheda PCMCIA prima maneggiarla toccare il pannello posteriore della stampante per scaricare il corpo dalle correnti statiche.

1. Spegnere la stampante.
2. Inserire la scheda PCMCIA nello slot posizionato sul pannello posteriore della stampante.
3. Accendere la stampante.

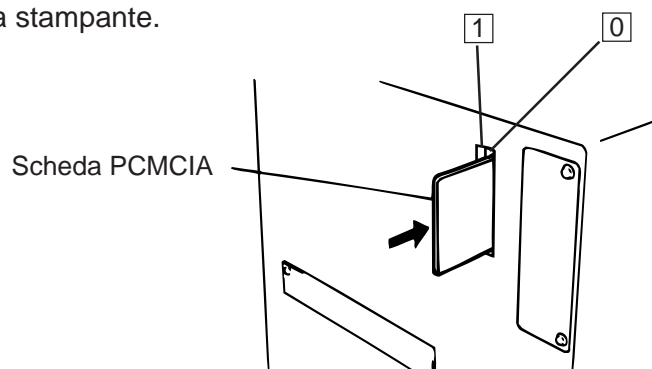


Fig. 7-1

- NOTE:**
1. Per proteggere la scheda PCMCIA quando non utilizzata, riponetela nella sua confezione.
 2. Non piegare ed evitare urti alla scheda.
 3. Evitare l'esposizione della scheda a fonti di calore.
 4. Non esporre la scheda ad eccessiva umidità. Pulirla solo con panni asciutti.
 5. Spegnere sempre la stampante prima di inserire o togliere la scheda.
 6. Possono essere utilizzati i seguenti modelli di PCMCIA (La scheda da 1MB-è solo in lettura, mentre la scheda da 4MB è in lettura/scrittura.)

Capacità	Produttore	Modello	Codice	Codice produttore
1M Byte	Maxell	EF-1M-TB [AA]	D0H	1CH
	Mitsubishi	MF81M1-GBDAT01		
4M Byte	Maxell	EF-4M-TB [CC]	88H	B0H
	Maxell	EF-4M-TB [DC]	ADH	04H
	Centennial Technologies INC.	FL04M-15-11119-03		01H
	INTEL	IMC004FLSA	A2H	89H
	Simple TECHNOLOGY	STI-FL/4A		
	Mitsubishi	MF84M1-G7DAT01		
	PC Card KING MAX	FJN-004M6C	A0H	89H
	PC Card	FJP-004M6R		

7. Inserire la scheda LAN nello slot (1).

8. Utilizzo e manutenzione dei supporti e nastri

CAUTELE:

Leggete attentamente il manuale di istruzioni per i supporti e nastri,. Utilizzare esclusivamente materiali che rispettino le specifiche richieste. L'utilizzo di materiali non approvati possono abbreviare la vita della testina di stampa e causare scarsa leggibilità dei codici a barre. Tutti i materiali devono essere maneggiati con cura per evitare danneggiamenti agli stessi o alla stampante. Leggere con cura le seguenti istruzioni.

- Non mantenere in magazzino i materiali per tempi superiori a quelli rilasciati dal produttore.
- Stivare i materiali sul lato piatto. Se stivati sulla parte curva possono danneggiarsi e provocare stampe di scarsa qualità.
- Immagazzinare in luoghi protetti dalla sporcizia. Eventuali depositi di sporcizia sul material di stampa possono danneggiare la testina.
- Non immagazzinare i materiali di stampa in luoghi umidi, a diretto contatto con fonti di calore, luce solare diretta, o in luoghi con presenza di gas.
- I materiali per stampa in termico diretto non devono eccedere le seguenti specifiche: Na⁺ 800 ppm, K⁺ 250 ppm e CL⁻ 500 ppm.
- Alcuni inchiostri contengono sostanze chimiche che abbreviano la vita della testina. Non utilizzare etichette con prestampate effettuate con inchiostri che contengano carbonato di calcio (CaCO₃) e kaolin (Al₂O₃, 2SiO₂, 2H₂O).

Per ulteriori informazioni contattate il Vostro fornitore locale o la più vicina filiale TOSHIBA TEC.

9. Manutenzione generale

ATTENZIONE:

1. La testina di stampa raggiunge temperature molto elevate; fare attenzione nel mangeggiarla.
2. Le taglierine sono affilate e va prestata molta attenzione a non ferirsi.
3. Non toccare le parti in movimento. Per ridurre i rischi che dita, anelli, abbigliamento ecc., possano impigliarsi nei meccanismi in movimento, spegnete la stampante.
4. Quando apre o chiude il coperchio, va prestata molta attenzione a non ferirsi le mani.

9.1 Pulizia

Per mantenere la miglior qualità di stampa, la Vostra stampante deve essere pulita regolarmente. Maggiore è l'utilizzo della stampante, più frequentemente deve essere pulita. Basso utilizzo = settimanale, alto utilizzo = giornaliero.

Nella stampante non è inserito nessun attrezzo per la pulizia della testina. Contattate la più vicina filiale TOSHIBA TEC per informazioni.

1. Spegner la stampante.
2. Aprire il coperchio.
3. Ruotare la leva della testina su APERTO.
4. Rimuovere nastro ed supporto di stampa.
5. Pulire gli elementi della testina di stampa con l'attrezzo per la sua pulitura.
6. Pulire il rullo di trascinamento anteriore e posteriore con un panno imbevuto di alcol. Rimuovere sporcizia o oggetti estranei dall'interno della stampante.

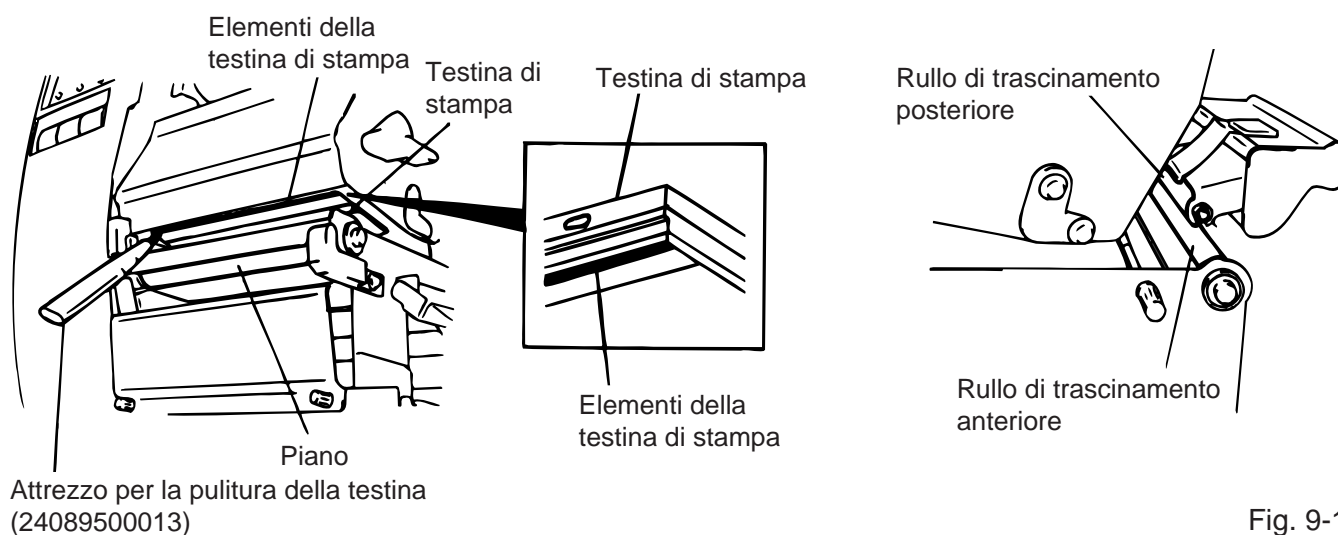


Fig. 9-1

ATTENZIONE:

1. Assicuratevi di aver spento la stampante e scollegato il cavo di alimentazione.
2. Non utilizzare attrezzi metallici, taglienti o ruvidi per non danneggiare la testina.
3. NON utilizzare acqua direttamente sulla stampante.

9.2 Coperchio e pannelli

La scocca deve essere pulita con un panno asciutto o lievemente imbevuto con detergenti non aggressivi.

NOTA: Pulire la scocca con panni antistatici per materiali elettronici.

ATTENZIONE:

1. **NON** utilizzare acqua sulla stampante.
2. **NON** utilizzare detergenti aggressivi sulla scocca o sui pannelli.
3. **NON** utilizzare solventi di alcun genere sui pannelli plastici.
4. **NON** utilizzare alcool sui pannelli o sulle superfici plastiche, potrebbe compromettere la visibilità o decolorare le parti.

9.3 Rimozione delle etichette inceppate

1. Spegner la stampante.
2. Aprire il coperchio.
3. Portare la leva della testina sulla posizione ③, quindi aprire il pannello del nastro.
4. Rimuovere le viti con flangia per togliere la guida carta (Vedi Fig. 9-2.)
5. Rimuovere il nastro e la carta.
6. Rimuovere le etichette inceppate. **NON** utilizzare oggetti metallici o taglienti per non danneggiare la stampante.
7. Pulire la testina di stampa ed il piano della stampante rimuovendo la sporcizia e gli oggetti estranei.
8. Posizionare la sezione ② del piano guida carta sul sensore . Fissare il piano guida carta usando le viti con la flangia.

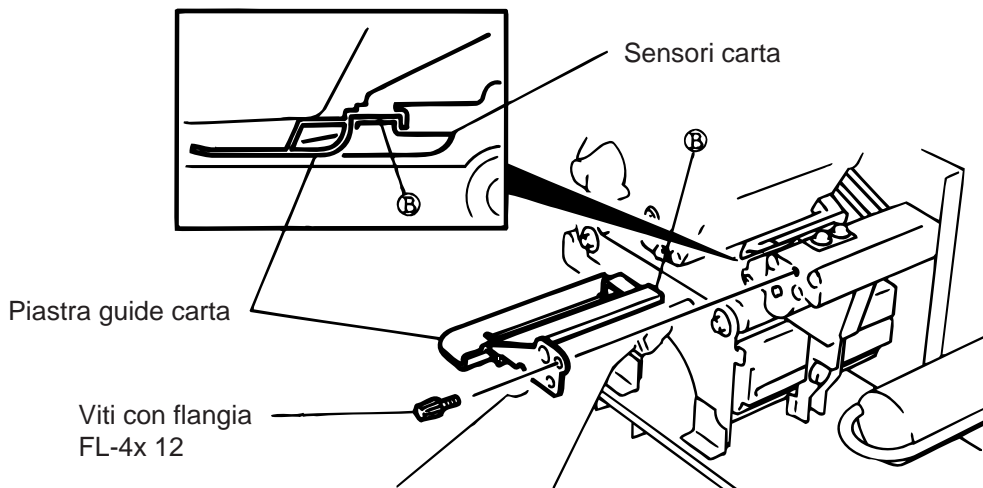


Fig. 9-2

9. Inceppamenti carta nella taglierina possono essere causati da residui di colla o carta sulle lame. Non utilizzare materiali non approvati per la taglierina. Se gli inceppamenti sono frequenti contattare il servizio di assistenza.

■ Pulizia della taglierina

ATTENZIONE:

1. Assicuratevi che la stampante sia spenta.
2. Le lame della taglierina sono affilate. Prendete delle precauzioni per evitare di ferirvi.

La taglierina rotativa o diagonale sono disponibili come parti opzionali. Il metodo di pulizia è lo stesso per entrambe i tipi. Seguono le spiegazioni dell'operazione di pulizia.

1. Svitare le due viti e rimuovere il coperchio.
2. Rimuovere la vite bianca e la guida carta.
3. Rimuovere le etichette inceppate.
4. Pulire accuratamente le lame con un panno asciutto.

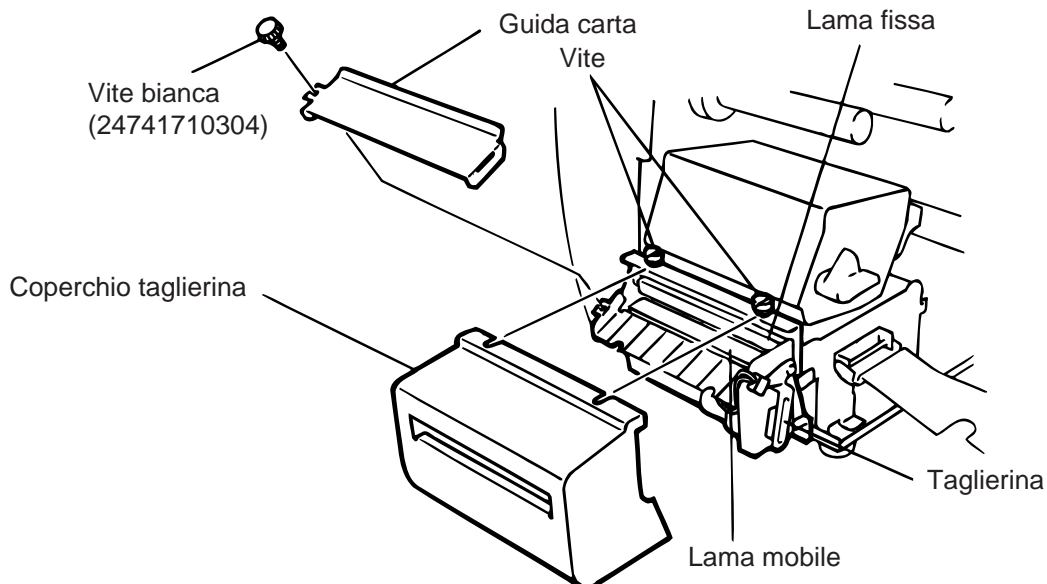


Fig. 9-3

5. L'ordine di assemblaggio è invertito rispetto all'ordine di disassemblaggio.

■ Modalità automatica di SAVE RIBBON

La modalità automatica di save ribbon avviene se vi sono almeno 17mm di area non stampata. Per l'utilizzo di questa modalità contattare la TOSHIBA TEC.

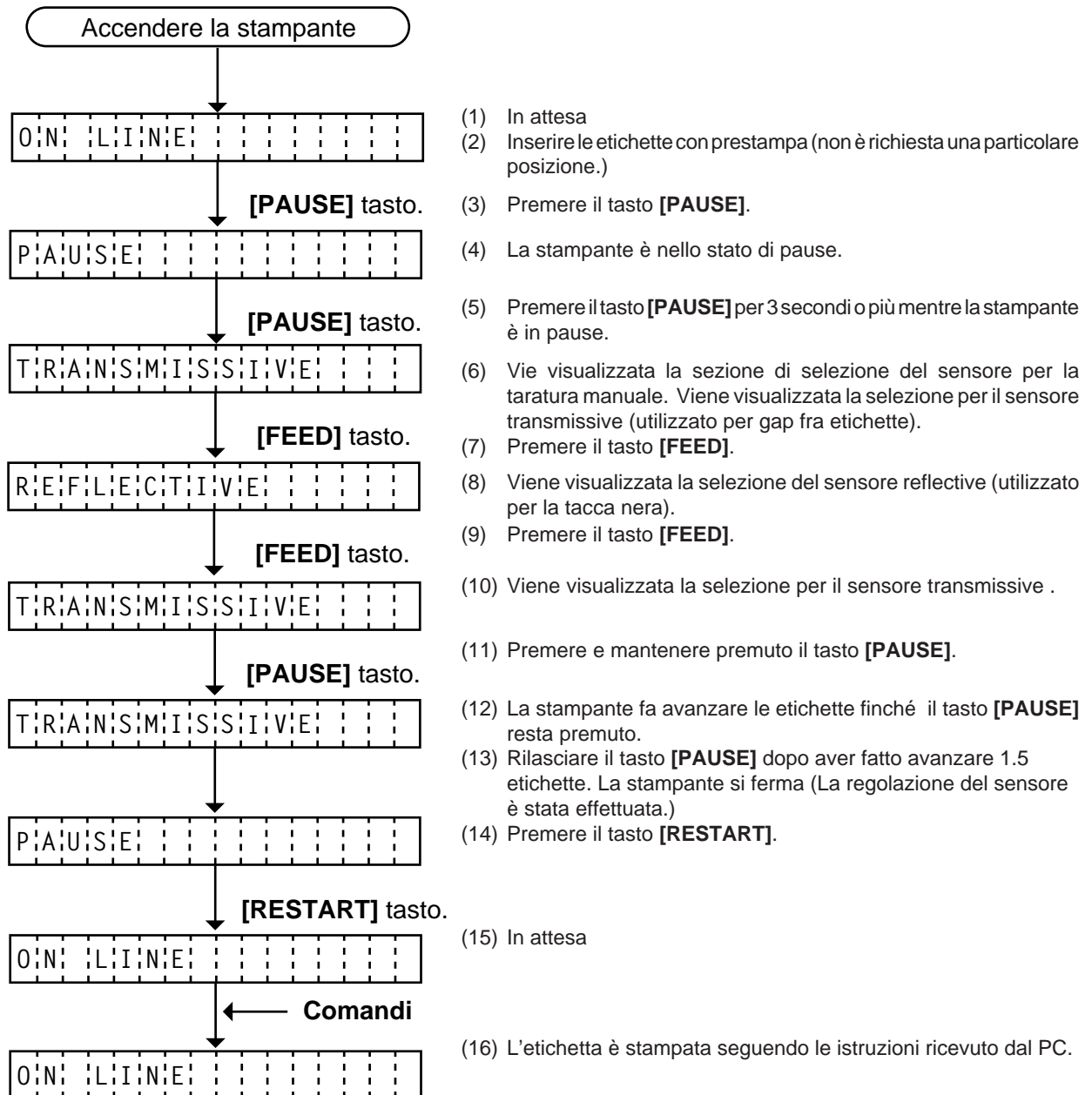
NOTA: *Il consumo del nastro varia in accordo alla velocità ed al volume di nastro riavvolto come indicato nella seguente tabella:*

Velocità di stampa	Nastro perso
3"/sec.	Approx. 5 mm
5"/sec.	Approx. 8 mm
8"/sec.	Approx. 17 mm

9.4 Settaggio dei sensori

Per mantenere il passo durante la stampa, si utilizza il sensore per il gap. Il sensore rileva la differenza di luce fra il supporto si stampa ed il gap. Utilizzando etichette prestampate la differenza di luce causata dalla pre stampa può causare errori nella fase di posizionamento delle etichette. Per evitare questo è possibile settare una "soglia" minima di luce nel modo seguente modo:

■ Procedura di configurazione



< Spiegazioni supplementari >

- (1) Quando il tasto [PAUSE] viene rilasciato prima di 3 secondi la funzione non è eseguita.
- (2) Durante la regolazione del sensore si devono far avanzare 1.5 etichette (in caso contrario la regolazione può non avere alcun effetto. In tal caso ripetere dall'inizio la procedura.)
- (3) Se il tasto [PAUSE] è premuto con la testina sollevata la regolazione non avviene.
- (4) Durante la regolazione non sono intercettati errori di fine carta, fine nastro o errori della taglierina.

10. Risoluzione dei problemi

ATTENZIONE:

Nel caso non riscontriate il problema nelle pagine seguenti, o questo non venisse risolto spegnere la stampante, scollegare il cavo di alimentazione e contattare il servizio di assistenza TOSHIBA TEC.

Messaggio di errore	Problema	Soluzione
PAPER JAM ****	<ol style="list-style-type: none"> 1. La carta non è caricata correttamente. 2. La carta è arriciata e non avanza correttamente. 3. La carta inserita non funziona con il sensore selezionato. 4. La tacca nera non corrisponde con il sensore. 5. La dimensioni della carta sono differenti da quelle del programma. 6. Il sensore del gap non funziona correttamente con etichette prestampate. 	<ol style="list-style-type: none"> 1. Reinscrivere correttamente la carta. → Premere il tasto [RESTART]. 2. Rimuovere le cause dell'inceppamento e riposizionare correttamente la carta. → Premere il tasto [RESTART]. 3. Spegner la stampante, riaccenderla selezionando il sensore corretto. → Far avanzare la carta. 4. Regolare la posizione del sensore. → Premere il tasto [RESTART]. 5. Spegner la stampante, correggere le dimensioni sul programma, riaccendere. → Far avanzare la carta. 6. Settare la "soglia" del sensore (Vedi page 9-4). Eventualmente contattare il servizio di assistenza TOSHIBA TEC.
HEAD OPEN ****	Si è tentato di stampare con la testina sollevata.	Abbassare la testina di stampa. → Premere il tasto [RESTART] .
NO PAPER ****	La carta è finita.	Caricare la nuova carta. → Premere il tasto [RESTART] .
NO RIBBON ****	Il nastro è finito.	Caricare il nuovo nastro. → Premere il tasto [RESTART] .
REWIND FULL ****	Il riavvolgitore interno è pieno.	Rimuovere la siliconata o le etichette. Premere il tasto [RESTART] .
EXCESS HEAD TEMP	Testina surriscaldata.	Spegner la stampante ed attendere che la testina si raffreddi.
RIBBON ERROR ****	Errore del sensore del nastro.	Spegner la stampante e contattare il servizio di assistenza TOSHIBA TEC.

Messaggio di errore	Problema	Soluzione
CUTTER ERROR ****	La carta è inceppata nella taglierina.	Rimuovere la carta inceppata e togliere quella danneggiata da sotto la taglierina. ➔ Premere il tasto [RESTART] . Oppure spegnere la stampante e contattare il centro di assistenza TOSHIBA TEC.
FLASH WRITE ERR.	E' stato riscontrato un errore durante la scrittura sulla flash memory card o l'ATA card.	<ol style="list-style-type: none"> 1. Spegnere la stampante, resettare la flash memory card e ritentare. 2. Sostituire la flash memory card e ritentare. 3. Spegnere la stampante e contattare il centro di assistenza TOSHIBA TEC.
FORMAT ERROR	E' stato riscontrato un errore durante la formattazione della flash memory card o l'ATA card.	<ol style="list-style-type: none"> 1. Spegnere la stampante, resettare la flash memory card e ritentare. 2. Sostituire la flash memory card e ritentare. 3. Spegnere la stampante e contattare il centro di assistenza TOSHIBA TEC.
FLASH CARD FULL	Non è possibile inserire altri dati sulla flash memory card o l'ATA card.	Sostituire la flash memory card e reinviare i dati. (Nel caso della flash memory card sono utilizzabili esclusivamente flash memory card da 1MB e 4MB.)
COMMS ERROR	E' avvenuto un errore di comunicazione con il sistema.	Spegnere la stampante e ritentare., o premere il tasto [RESTART] . Controllare i dati inviati dal programma. ➔ Se necessario contattare il centro di assistenza TOSHIBA TEC.
Esempio) PC001; 0A00, Errore nel comando 0300, 2, 2	Nel caso venga rilevato un errore di sintassi nei comandi, viene visualizzata una stringa di 16 bytes del comando errato. (ESC, LF, NUL non sono visualizzati.)	Correggere il comando e reinviare i dati alla stampante.
Altri messaggi di errore	Questi errori sono causati da problemi di Hardware o software.	Spegnere la stampante, riaccenderla e riprovare. Nel caso persista l'errore contattare il servizio di assistenza TOSHIBA TEC

NOTA: Nel caso un errore non venga risolto premendo il tasto **[RESTART]**, la stampante deve essere spenta, e quindi riaccesa.

Dopo aver spento la stampante, tutti i dati fino a quel momento non stampati verranno persi.

**** indica la quantità di documenti non ancora stampati.

Problema	Soluzione
Non stampa.	<ol style="list-style-type: none">1. Controllare che il nastro e la carta siano correttamente caricati.2. Controllare che la stampante sia settata nel modo corretto.3. Controllare i cavi di connessione.
Mancano dei punti nella stampa.	Testina sporca. → Pulire la testina. Se necessario contattare il centro di assistenza TOSHIBA TEC.
Stampe non nitide.	<ol style="list-style-type: none">1. Testina sporca. → Pulire la testina.2. Nastro errato o rovinato. → Sostituire il nastro.3. Carta di scarsa qualità. → Sostituire la carta.
La stampante non si accende.	<ol style="list-style-type: none">1. Controllare il cavo di alimentazione.2. Controllare i fusibili o gli interruttori.3. Sostituire il cavo, o cambiare presaper verificare se sono in ordine. Nel caso persista il problema contattare il servizio di assistenza TOSHIBA TEC.
Non viene effettuato il taglio.	Controllare che non ci sia carta inceppata nella taglierina. Nel caso persista il problema contattare il servizio di assistenza TOSHIBA TEC.
Il taglio non è regolare.	<ol style="list-style-type: none">1. Pulire le lame della taglierina.2. Le lame hanno perso l'affilatura. → Contattare il servizio di assistenza TOSHIBA TEC.